

Instruction manual - Router

Page 6

IMPORTANT: Read and understand all instructions before using.

Guide d'utilisation - Défonceuse

Page 15

IMPORTANT: Lire et comprendre toutes les instructions avant de démarrer les travaux.

Manual de instrucciones - Fresadora

Pagina 25

IMPORTANTE: Lea y comprende todas las instrucciones antes de usar.

Instruction manual
Guide d'utilisation
Manual de instrucciones

OF 1400 EQ



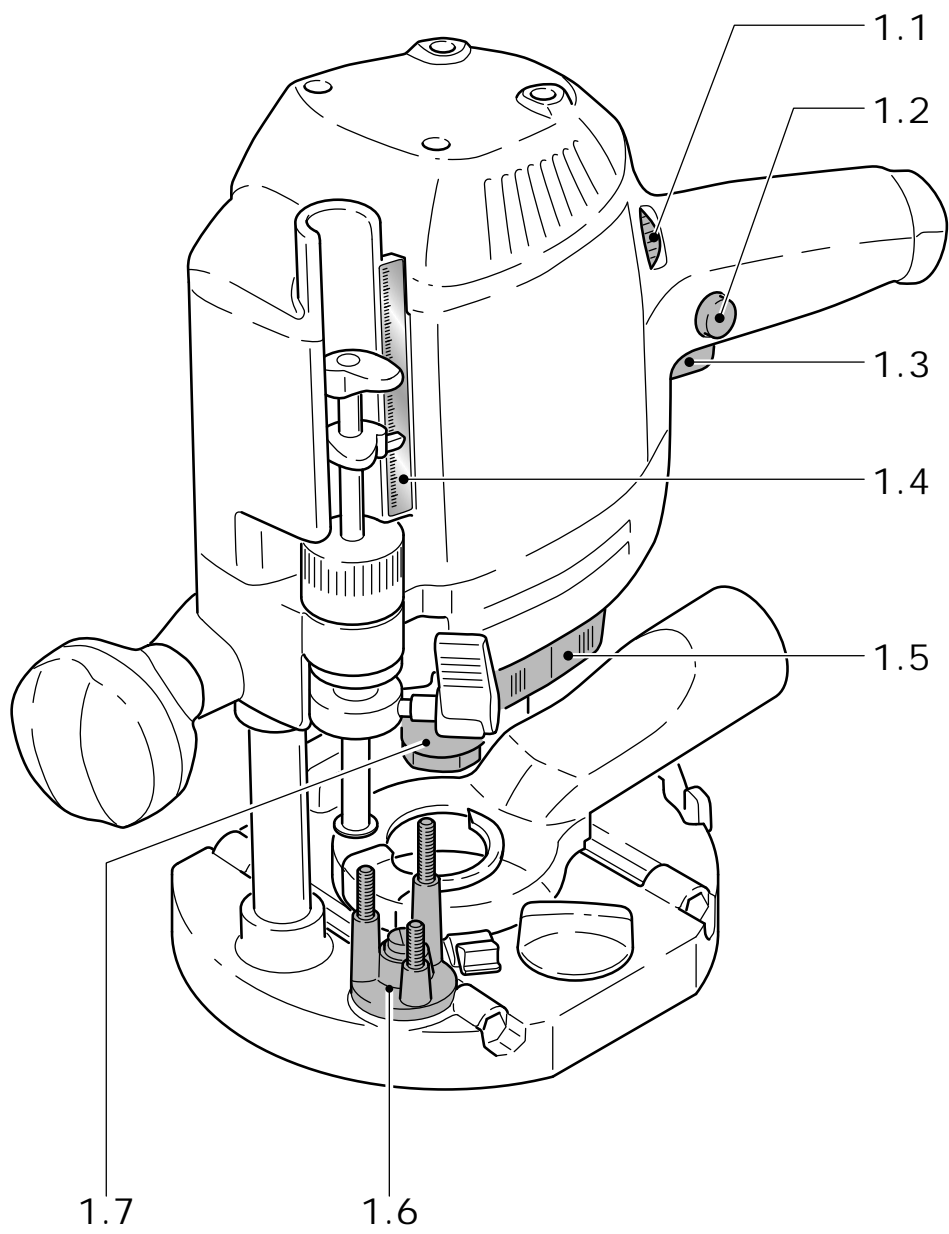


Table of contents

About this manual	6
Safety instructions	6
Technical data	8
Symbols	8
Functional description	8
Use for intended purpose	8
Electrical connection	8
Switching the machine on and off	9
Tool settings	9
Electronic control	9
Chips extraction	10
Milling cutters	10
Clamping collet changing	11
Adjusting the milling depth	11
Working with the router	11
Support of the workpieces	12
Aluminium processing	12
Freehand routing	12
Routing with the parallel guide	12
Routing with the FS guide system	12
Copy cutting	13
Accessories, tools	14
Servicing and maintenance	14

About this manual

Save these instructions

It is important for you to read and understand this manual. The information it contains relates to protecting **your safety** and **preventing problems**. The symbols below are used to help you recognize this information.

⚠ DANGER Description of imminent hazard and failure to avoid hazard will result in death.

⚠ WARNING Description of hazard and possible resulting injuries or death.

⚠ CAUTION Description of hazard and possible resulting injuries.

📌 NOTICE Statement including nature of hazard and possible result.

💡 HINT Indicates information, notes, or tips for improving your success using the tool.

Safety instructions

⚠ WARNING Read all safety warnings, instructions, illustrations and specifications provided with this power tool. Failure to follow all instructions listed below may result in electric shock, fire and/or serious injury.

SAVE ALL WARNINGS AND INSTRUCTIONS FOR FUTURE REFERENCE.

The term "power tool" in the warnings refers to your mains-operated (corded) power tool or battery-operated (cordless) power tool.

General safety instructions

1) Work area safety

- Keep work area clean and well lit.** Cluttered or dark areas invite accidents.
- Do not operate power tools in explosive atmospheres, such as in the presence of flammable liquids, gases or dust.** Power tools create sparks which may ignite the dust or fumes.
- Keep children and bystanders away while operating a power tool.** Distractions can cause you to lose control.

2) Electrical safety

- Power tool plugs must match the outlet. Never modify the plug in any way. Do not use any adapter plugs with earthed (grounded) power tools.** Unmodified plugs and matching outlets will reduce risk of electric shock.
- Avoid body contact with earthed or grounded surfaces, such as pipes, radiators, ranges and refrigerators.** There is an increased risk of electric shock if your body is earthed or grounded.
- Do not expose power tools to rain or wet conditions.** Water entering a power tool will increase the risk of electric shock.
- Do not abuse the cord. Never use the cord for carrying, pulling or unplugging the power tool. Keep cord away from heat, oil, sharp edges or moving parts.** Damaged or entangled cords increase the risk of electric shock.
- When operating a power tool outdoors, use an extension cord suitable for outdoor use.** Use of a cord suitable for outdoor use reduces the risk of electric shock.
- If operating a power tool in a damp location is unavoidable, use a residual current device**

(RCD) protected supply. Use of an RCD reduces the risk of electric shock.

3) Personal safety

- a) **Stay alert, watch what you are doing and use common sense when operating a power tool. Do not use a power tool while you are tired or under the influence of drugs, alcohol or medication.** A moment of inattention while operating power tools may result in serious personal injury.
 - b) **Use personal protective equipment. Always wear eye protection.** Protective equipment such as dust mask, non-skid safety shoes, hard hat, or hearing protection used for appropriate conditions will reduce personal injuries.
 - c) **Prevent unintentional starting. Ensure the switch is in the off-position before connecting to power source and/or battery pack, picking up or carrying the tool.** Carrying power tools with your finger on the switch or energising power tools that have the switch on invites accidents.
 - d) **Remove any adjusting key or wrench before turning the power tool on.** A wrench or a key left attached to a rotating part of the power tool may result in personal injury.
 - e) **Do not overreach. Keep proper footing and balance at all times.** This enables better control of the power tool in unexpected situations.
 - f) **Dress properly. Do not wear loose clothing or jewellery. Keep your hair and clothing away from moving parts.** Loose clothes, jewellery or long hair can be caught in moving parts.
 - g) **If devices are provided for the connection of dust extraction and collection facilities, ensure these are connected and properly used.** Use of dust collection can reduce dust-related hazards.
 - h) **Do not let familiarity gained from frequent use of tools allow you to become complacent and ignore, tool safety principles.** A careless action can cause severe injury within a fraction of a second.
- c) **Disconnect the plug from the power source and/or the battery pack from the power tool before making any adjustments, changing accessories, or storing power tools.** Such preventive safety measures reduce the risk of starting the power tool accidentally.
 - d) **Store idle power tools out of the reach of children and do not allow persons unfamiliar with the power tool or these instructions to operate the power tool.** Power tools are dangerous in the hands of untrained users.
 - e) **Maintain power tools. Check for misalignment or binding of moving parts, breakage of parts and any other condition that may affect the power tool's operation. If damaged, have the power tool repaired before use.** Many accidents are caused by poorly maintained power tools.
 - f) **Keep cutting tools sharp and clean.** Properly maintained cutting tools with sharp cutting edges are less likely to bind and are easier to control.
 - g) **Use the power tool, accessories and tool bits etc. in accordance with these instructions, taking into account the working conditions and the work to be performed.** Use of the power tool for operations different from those intended could result in a hazardous situation.
 - h) **Keep handles dry, clean and free from oil and grease.** Slippery handles do not allow for safe handling and control of the tool in unexpected situations.

4) Power tool use and care

- a) **Do not force the power tool. Use the correct power tool for your application.** The correct power tool will do the job better and safer at the rate for which it was designed.
- b) **Do not use the power tool if the switch does not turn it on and off.** Any power tool that cannot be controlled with the switch is dangerous and

must be repaired.

5) Service

- a) **Have your power tool serviced by a qualified repair person using only identical replacement parts.** This will ensure that the safety of the power tool is maintained.

Specific safety instructions

- a) **Hold power tool by insulated gripping surfaces, because the cutter may contact its own cord.** Cutting a "live" wire may make exposed metal parts of the power tool "live" and shock the operator.
- b) **Use clamps or another practical way to secure and support the workpiece to a stable platform.** Holding the work by your hand or against the body leaves it unstable and may lead to loss of control.

Health hazard by dust

⚠️ WARNING Various dust created by power sanding, sawing, grinding, drilling and other construction activities contains chemicals known (to the State of California) to cause cancer, birth defects or other reproductive harm. Some examples of these chemicals are:

- Lead from lead-based paints,
- Crystalline silica from bricks and cement and other masonry products,
- Arsenic and chromium from chemically-treated lumber.

The risk from these exposures varies, depending on how often you do this type of work.



To reduce your exposure to these chemicals work in a well ventilated area and use approved safety equipment, such as dust masks that are specially designed to filter out microscopic particles.

⚠️ WARNING TO REDUCE THE RISK OF INJURY, USER MUST READ INSTRUCTION MANUAL.

Technical data

Power	12 A
Voltage	~ 120 V, 60 Hz
No load speed	10000 - 22500 min ⁻¹
Quick height adjustment	2-3/4" (70 mm)
Fine height adjustment	5/16" (8 mm)
Router diameter, max.	2-7/16" (63 mm)
Drive shaft connection of the spindle	M 22x1
Weight	9.9 lbs (4.5 kg)
Protection class	□ / II

Symbols



Warning of general danger!



Risk of electric shock!



Read the Instructions!



Wear protective goggles!

V Volts
A Amperes
Hz Hertz

~ Alternating current
n₀ No load speed
□ Class II Construction
min⁻¹
rpm Revolutions or reciprocation per minute
∅ Diameter

Functional description

The pictures for the functional description are on a fold-out page at the beginning of the instruction manual. When reading of the manual you can fold out this page for having always an overview of the machine.

- 1.1 Speed controller
- 1.2 Locking button
- 1.3 On/Off switch
- 1.4 Scale
- 1.5 Spindle stop
- 1.6 Pivoted turret stop
- 1.7 Collet nut

Use for intended purpose

The routers are designed for routing wood, plastics and similar materials. Aluminium and plasterboard can also be processed with corresponding cutters such as are listed in the Festool catalogues.

⚠️ WARNING Festool electric power tools should only be installed in work benches specially designed by Festool. The electric power tool may become unsafe and cause serious accident if installed in benches from other manufacturers or self-manufactured work benches.

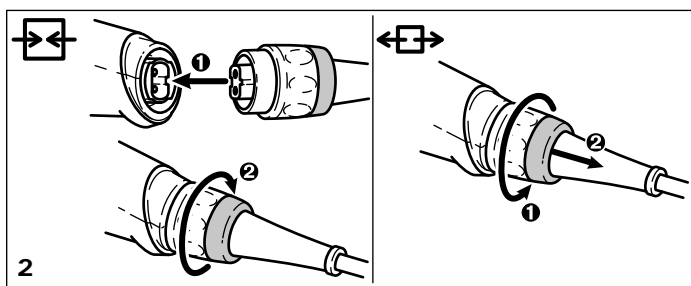
⚠️ WARNING The user is liable for damages and injuries due to incorrect usage.

Electrical connection

The network voltage must conform to the voltage indicated on the rating plate. A 16 A safety fuse (for 120 V) or a corresponding protective circuit-breaker is required.

See the following figure for connection and disconnection of the power cable.

⚠️ WARNING Always switch the machine off before connecting or disconnecting the power cable!



Extension cable

If an extension cable is required, it must have a sufficient cross-section so as to prevent an excessive drop in voltage or overheating. An excessive drop in voltage reduces the output and can lead to failure of the motor. The table below shows you the correct cable diameter as a function of the cable length for the router OF 1400 EQ. Use only U.L. and CSA listed extension cables. Never use two extension cables together. Instead, use one long one.

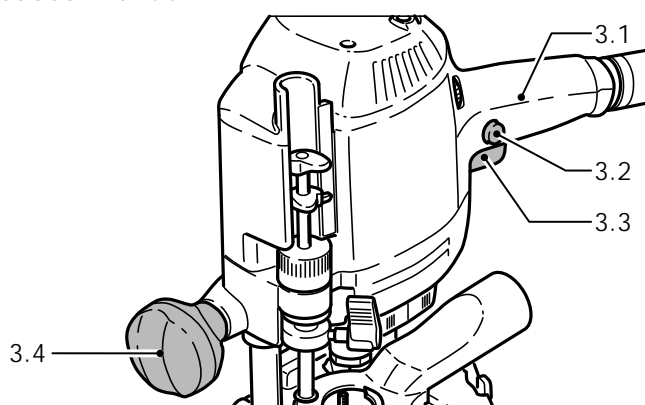
Total Extension Cord Length (feet)	25	50	100	150
Cord size (AWG)	16	14	12	10

Note: The lower the AWG number, the stronger the cable.

Switching the machine on and off

WARNING Keep the machine steady during switching and during use by holding the handles (3.1, 3.4) with both hands.

Switch (3.3) serves as an On/Off switch. It may be latched with the locking knob on the side (3.2) for continuous operation. Pressing the switch again releases the lock.



WARNING After the machine has been switched off, the milling cutter will still rotate for a time. Take care that parts of your body do not come into contact with the milling cutter while it is still rotating!

Tool settings

WARNING Always disconnect the plug from the power supply before making any adjustments to the router or installing or removing any accessory!

Electronic control

The router OF 1400 EQ has solid shaft electronics with the following functions:

Smooth start-up:

The electronically controlled smooth start-up facility enables start-up of the machine without jerks and requires a lower start-up current.

Speed regulation:

Using the electronic speed control (1.1) the motor speed can be continuously adjusted from 10000 and 22500 rpm. The table below offers a guide to the correct electronic setting for various materials. The settings are naturally infinitely variable.

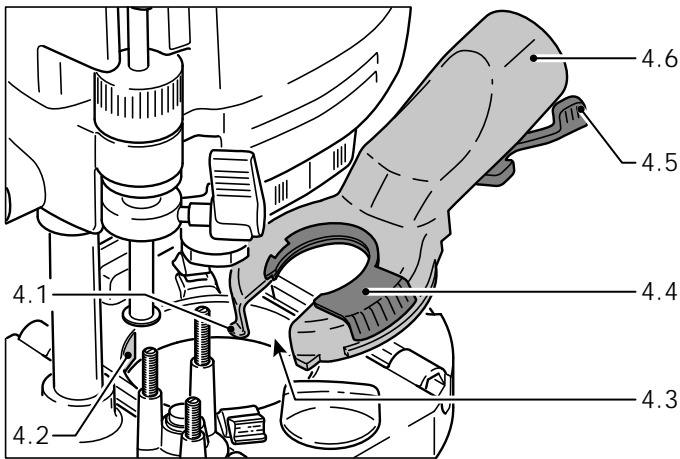
Material	Cutter diameter			Cutter material
	3/8" -1" 10-25 mm	1" 1-1/2" 25-40 mm	1-1/2" -2-7/16" 40-63 mm	
Hard wood	6-4	5-3	3-1	HW/HSS
Soft wood	6-5	6-4	5-3	HSS/HW
Panels	6-5	6-4	4-2	HW
Plastic	6-4	6-3	3-1	HW
Aluminium	3-1	3-1	2-1	HSS/HW
Plasterboard	2-1	1	1	HW

Constant speed:

The selected motor speed is electronically maintained to a constant level. By this means a uniform cutting speed is achieved.

WARNING Do not work with the OF 1400 EQ if the electronic control is defective since this may lead to excessive speeds. A defect in the electronic control is indicated by the absence of a smooth run-up, a higher noise level at idle or the fact that no speed control is possible.

Chips extraction



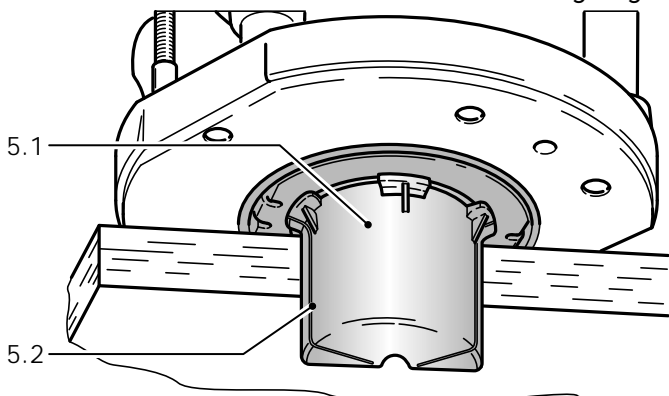
Chips and dust from routing can be removed by means of an extractor hood. See-through plastic material gives good view of rotating tool. You can connect a Festool extractor with an extractor hose diameter of 36 mm or 27 mm to the extractor connector (4.6). We recommend a diameter of 36 mm because it minimises the risk of blockages.

- Fit the extractor hood to the router base by first inserting the two tenons (4.1) on the extractor hood into the recesses (4.2) on the router base, then place the extractor hood on the router base and close the lever (4.5). To enable fitting and removing the extractor hood with the router attached, the recess (4.3) in the extractor hood can be opened by turning the segment (4.4). For optimised dust extraction, the recess with the rotating segment must be closed during work.

CAUTION This suction hood can be used only for cutters up to 1-1/8" (28 mm) diameter.

Chip catcher KSF-OF

Using the KSF-OF chip catcher (5.1) (sometimes included in the scope of delivery), the efficiency of the extraction can be increased when routing edges.



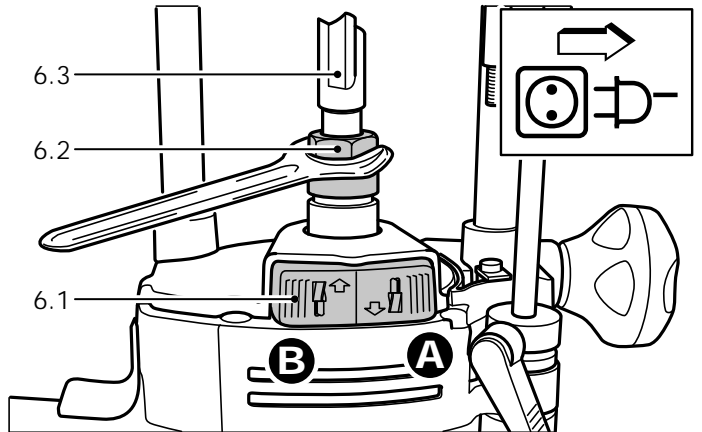
Installation is similar to that of the copying ring (see fig. 12).

The hood can be cut off along the grooves (5.2) using a hacksaw and can thus be reduced in size. The

chip catcher can then be used for interior radiuses up to a minimum radius of 1-1/2" (40 mm).

Milling cutters

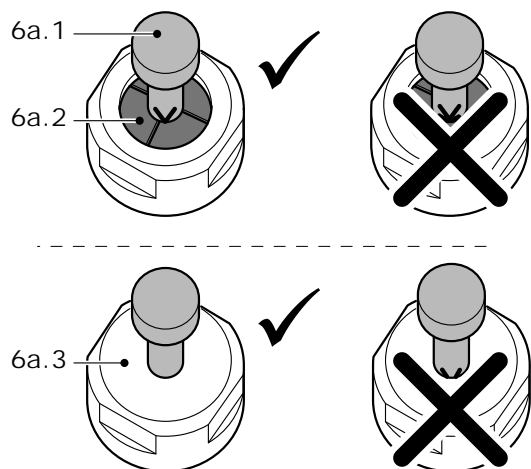
WARNING Do not exceed the maximum speed specified on the tool and/or keep to the speed range. Cracked or distorted cutters must not be used.



You can turn the machine upside down when changing the tool.

Inserting the tool

- Insert the router (6.3/6a.1) into the open clamping collet (6a.2) as far as possible, but at least up to the mark \surd on the router shank. If the collet is not visible because it is blocked by the union nut (6a.3), the milling tool must be inserted into the collet at least far enough that the marker \surd no longer overlaps with the union nut.
- Press the switch (6.1) for locking the spindle on the right-hand side (A).
- Tighten the locking nut (6.2) with a 24 mm open-end spanner.



Removing the tool

- Press the switch (6.1) for locking the spindle on the left-hand side (B).
- Undo the nut (6.2) using an open-end wrench (SW 24) until you are able to remove the tool.

Note: the spindle lock only blocks the motor spindle in one direction of rotation at any one time. Therefore when the nut is undone or tightened, the wrench does not need to be offset but can be moved back and forth like a ratchet.

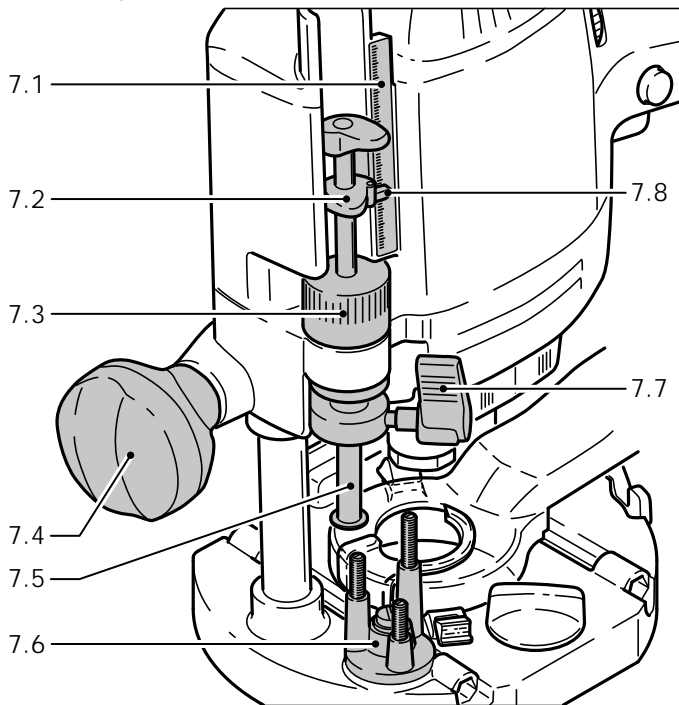
Clamping collet changing

- Press the switch (6.1) for locking the spindle on the left-hand side. Fully unscrew the nut (6.2) and remove from spindle together with the clamping collet.
- Press the switch (6.1) for locking the spindle on the right-hand side. Insert a new clamping collet with nut into the spindle and slightly tighten the nut. Do not tighten the nut until a milling cutter has been fitted.

Adjusting the milling depth

The milling depth is adjusted in three stages:

a) Setting the zero point



- Open the clamping lever (7.7) so that the stop cylinder (7.5) can move freely.
- Place the router with router table onto a smooth surface. Open the rotary knob (7.4) and press the machine down until the milling cutter rests on the base. Clamp the machine tight in this position with the rotary knob (7.4).
- Press the stop cylinder against one of the three sensing stops of the pivoted turret stop (7.6).
- The individual height of each sensing stop can be adjusted with a screwdriver.

Sensing stop	min. height	max. height
A	1-13/16" (47 mm)	2-5/16" 60 mm
B	2-1/16" (53 mm)	2-7/8" 74 mm
C	2-5/16" 60 mm	3-3/8" 86 mm

- Push the pointer (7.2) down so that it shows 0 mm on the scale (7.1).

If the base position is incorrect, this can be adjusted with the screw (7.8) on the indicator.

b) Setting the milling depth

The desired milling depth can be set either with the quick depth adjustment or with the fine depth adjustment.

Quick depth adjustment:

- Pull the stop cylinder (7.5) up until the pointer shows the desired milling depth. Clamp the stop cylinder in this position with the clamping lever (7.7).

Fine depth adjustment:

- Clamp the stop cylinder with the clamping lever (7.7). Set the desired milling depth by turning the adjusting wheel (7.3) in. Turn the adjusting wheel to the next mark on the scale to adjust the milling depth by 0.004" (0.1 mm). One full turn adjusts the milling depth by ~1/16" (1 mm). The maximum adjustment range with the adjusting wheel is 5/16" (8 mm).

c) Increasing the milling depth

- Open the rotary knob (7.4) and press the tool down until the stop cylinder touches the sensing stops.
- Clamp the machine in this position by tightening the rotary knob (7.4).

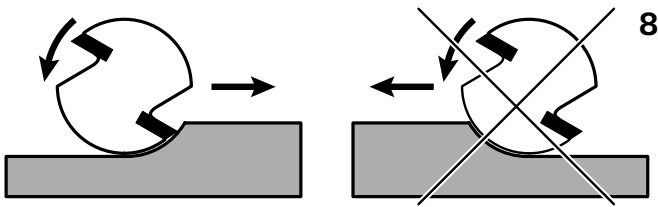
Working with the router

⚠ WARNING Always secure the workpiece in such a manner that it cannot move while being sawed.

⚠ WARNING The machine must always be held with both hands by the designated handles.

⚠ WARNING Always switch the router on first before bringing the tool into contact with the workpiece!

⚠ WARNING Always advance the router in the same direction as the cutting direction of the cutter (counter-routing)!



Support of the workpieces

⚠ WARNING Ensure that your workpieces are securely fixed and cannot move during routing. Otherwise, there is an increased risk of accident. Use screw clamps or some other suitable devices to fix your workpiece.

Aluminium processing

⚠ WARNING The following precautions are to be taken when processing aluminium for safety reasons:

- Pre-connect a residual current circuit-breaker.
- Connect the machine to a suitable dust extractor.
- Clean tool regularly of dust accumulations in the motor housing.
- Wear protective goggles.

Freehand routing

Freehand routing is the method normally used for lettering or shapes, and for routing edges using cutters with a guide pin or ring.

Routing with the parallel guide

The parallel guide (accessory) can be used for routing parallel to the edge of the workpiece.

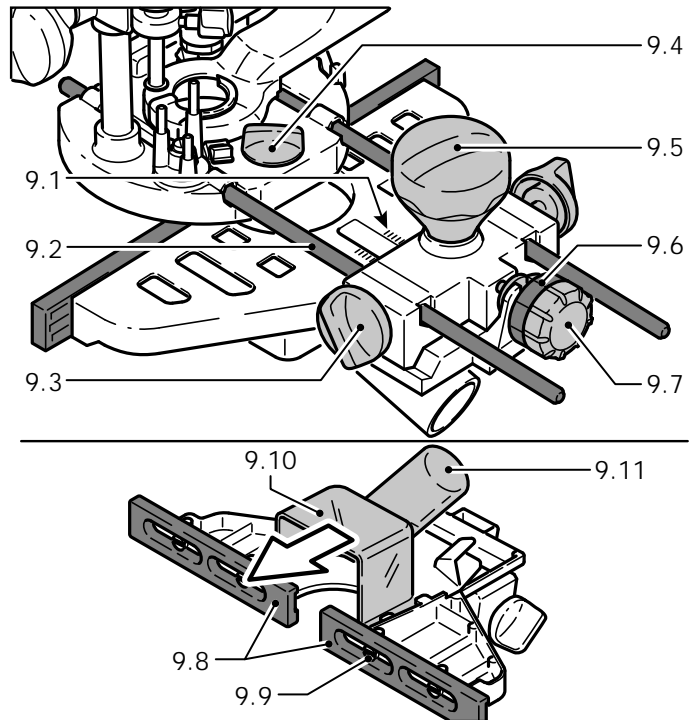
- Secure both guide rods (9.2) with the two rotary knobs (9.3) on the side stop.
- Insert the guide rods into the grooves on the router base to the required distance and secure them by turning the rotary knob (9.4).

Fine adjustment:

- Unscrew the rotary knob (9.5) to make fine adjustments with the adjusting wheel (9.7). The scale ring (9.6) has a 0.1 mm scale for this purpose. If the adjusting wheel is held secure, the scale ring can be turned separately and set to „Zero“. The millimetre scale (9.1) on the main casing is useful when making larger adjustments. Tighten the rotary knob (9.5) again on completion of any fine adjustments.
- Adjust both guidance jaws (9.8) so that they are approx. $7/32$ " (5 mm) from the router. To do

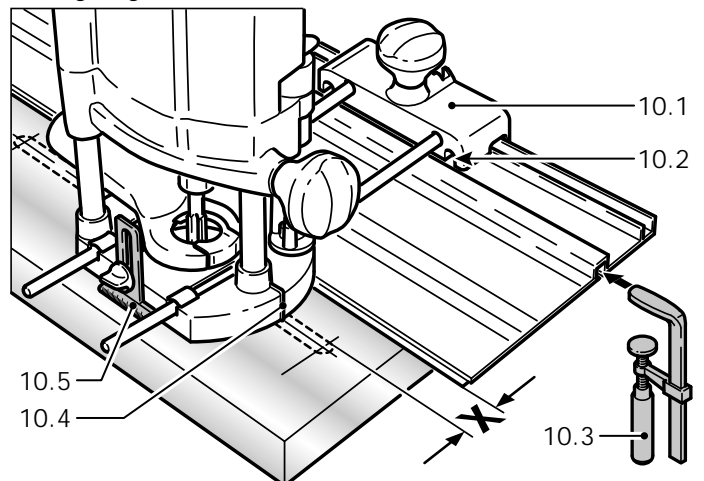
this, undo screws (9.9) and tighten again after completing the adjustments.

- Slide the extractor hood (9.10) from behind until it latches into place on the side stop. You can connect an extractor hose with a diameter of 27 mm or 36 mm to the extractor connector (9.11).



Routing with the FS guide system

The guide system (accessory) facilitates routing straight grooves.

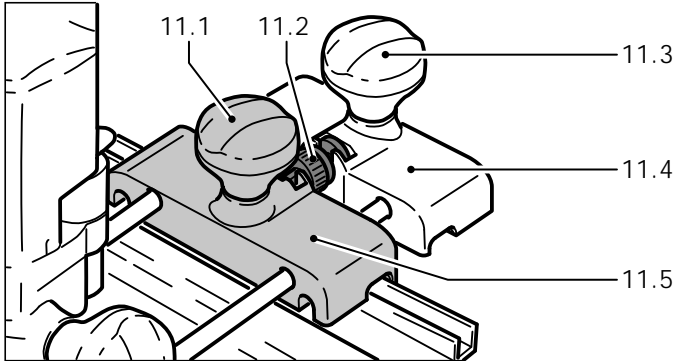


- Fasten the guide stop (10.1) to the platen with the guide rails of the parallel guide.
- Fasten the guide rail with FSZ screw clamps (10.3) to the workpiece. Make sure that the safety distance X of $7/32$ " (5 mm) between the front edge of the guide rail and cutter or groove is observed.
- Place the guide stop onto the guide rail as shown in Fig. 10. To ensure a backlash-free guidance of the router stop you can adjust two guide cheeks with a screwdriver through the side openings (10.2).

- Screw the height-adjustable support (10.5) of the router table's threaded bore in such a way that the underside of the router table is parallel to the surface of the workpiece.

When working with marking-up lines, the marks on the platen (10.4) and the scale on the support (10.5) show the centre axis of the cutter.

Fine adjustment



The distance X (fig. 10) of the router to the guide rail can be set finely using the fine adjustment (Accessories).

- Fit the fine adjustment (11.5) between the router and guide stop (11.4) on the guide bars.
- Insert the adjusting wheel (11.2) for the fine adjustment in the recesses of the fine adjustment and guide stop, and screw the thread of the adjusting wheel approximately half way into the nut of the fine adjustment.
- To set, close the rotary knob (11.3) of the fine adjustment and open the rotary knob (11.1) of the guide stop.
- After making the setting, close the rotary knob (11.1) of the guide stop.

Copy cutting

A copying ring or the copying device is used to exactly reproduce existing workpieces (both available as accessories).

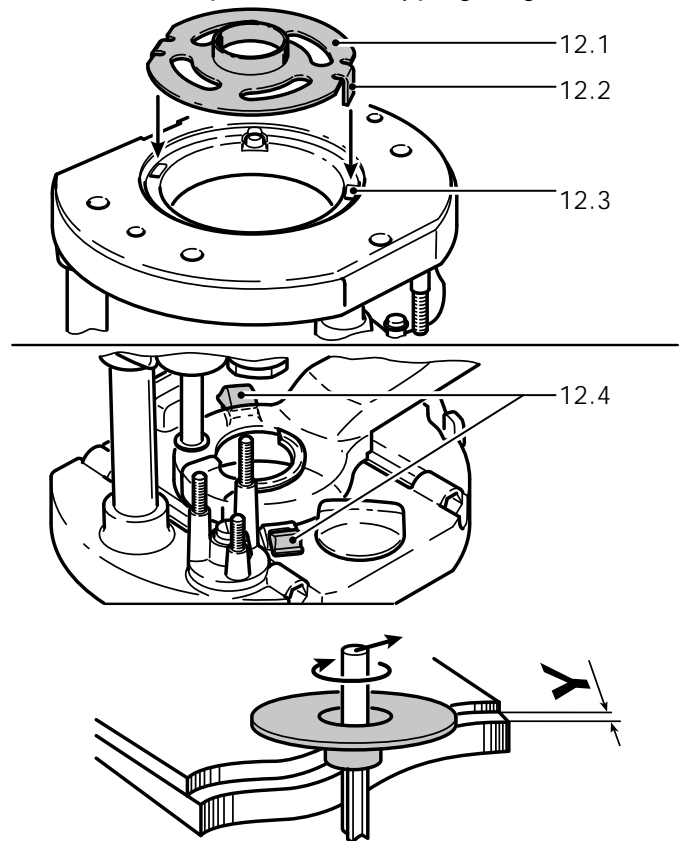
- ▶ It comes with an adapter plate for imperial templet guides included.

a) Copying ring

- Secure the copying ring (12.1) to the router base by inserting both tenons (12.2) into the recesses (12.3).
- To loosen the copying ring, press both buttons (12.4) inwards simultaneously.

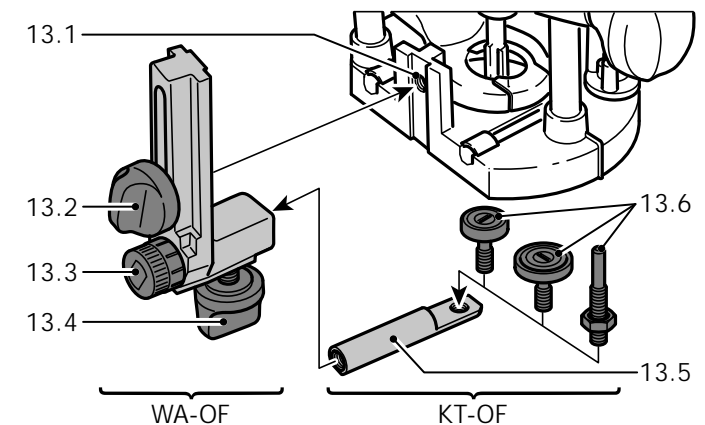
CAUTION When choosing the size of the copying ring make sure that the cutter used fits through the ring's opening.

The distance Y between the workpiece and template is calculated by $Y = 1/2 (\text{Ø copying ring} - \text{Ø cutter})$



b) Copying device

The angle arm WA-OF and copier scanning set KT-OF, consisting of roller holder (13.5) and three copying rollers (13.6), are required for the copying device.



- Screw the angle arm at the desired height in the platen's threaded bore (13.1) with the rotating knob (13.2).
- Fit a copying roller in the roller holder and bolt this to the angle arm with the rotating knob (13.4). Make sure that the copying roller and cutter have the same diameter!
- Turn the adjusting wheel (13.3) to adjust the distance between the copying roller and cutter axis.

Accessories, tools

⚠ WARNING For safety reasons, only use original Festool accessories and tools!

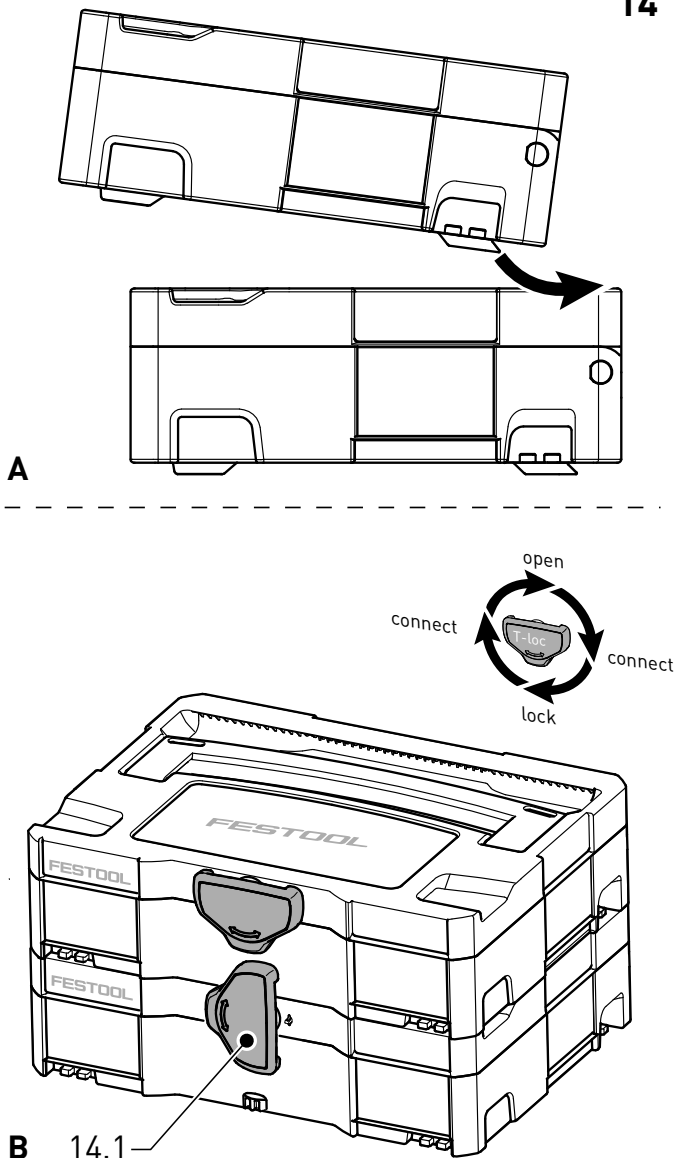
Festool offers a wide range of accessories for the routers, e.g. to make wooden joints or drill rows of holes.

The accessory and tool order number can be found in the Festool catalogue or on the Internet under www.festoolusa.com.


Systainer

Many Festool products are shipped in a unique system container, called "Systainer". This provides protection and storage for the tool and accessories. The Systainers are stackable and can be interlocked together. They also can be interlocked atop Festool CT dust extractors.




14



– To open the Systainer:

- Turn the T-loc [14.1] to the position .

– To lock the Systainer:

- Turn the T-loc [14.1] to the position .
- To connect two Systainers:
 - Place one Systainer on the top of the other (Fig. 14 A).
 - Turn the T-loc [14.1] to the position  or  (Fig. 14 B).

The Systainers are connected and locked.

- ▶ A new generation Systainer is connectable on top of a previous generation Systainer by the four latches of the previous Systainer.

Servicing and maintenance

⚠ WARNING Any maintenance or repair work that requires opening of the motor or gear housing should only be carried out by an authorised Customer Service Centre (name supplied by your dealer)! Maintenance or repair work carried out by an unauthorised person can lead to the wrong connection of the power leads or other components, which in turn can lead to accidents with serious consequences.

⚠ WARNING To prevent accidents, always remove the plug from the power supply socket before carrying out any maintenance or repair work on the machine! Do not use compressed air to clean the electrical tool! Do not try to clean parts inside the machine in this way, as you could let foreign objects in through the openings of the machine housing.

⚠ CAUTION Certain cleaning agents and solvents are harmful to plastic parts. Some of these are: gasoline, carbonyl chloride, cleaning solutions containing chlorine, ammonia and household cleaners containing ammonia.

- ▶ To assure the circulation of air, the cool air vents in the motor housing must always be kept clear and clean.
- ▶ This unit is fitted with special, automatically disconnecting carbon brushes. If these become worn, the current is automatically switched off and the unit shuts down. In this case, take the unit to an authorised Customer Service Centre and have the carbon brushes changed.



Customer service and repair only through manufacturer or service workshops: Please find the nearest address at: www.festoolusa.com/service



Use only original **Festool spare parts!** Order No. at:

www.festoolusa.com/service

Table des matières

À propos de ce manuel	15
Règles de sécurité	15
Caractéristiques techniques	17
Symbole	18
Description fonctionnelle	18
Utilisation conforme	18
Raccordement électrique	18
Mise en marche et arrêt de la machine	18
Réglages de l'outil	19
Electronique	19
Aspiration	19
Outils de fraisage	20
Changement de pince de serrage	20
Réglage de la profondeur de fraisage	20
Travailler avec la défonceuse	21
Appui des pièces	21
Traitement de l'aluminium	21
Usinage à la volée	22
Fraisage avec la butée latérale	22
Fraisage avec le système de guidage FS	22
Copier un fraisage	23
Maintenance et entretien	23
Accessoires, outils	24

À propos de ce manuel

Conservez ces instructions

Il est important pour vous de lire et de comprendre ce manuel. Les informations qu'il contient, se rapporte à la protection **de votre sécurité** et **de prévention des problèmes**. Les symboles suivants sont utilisés pour vous aider à reconnaître cette information.

⚠ DANGER

Description du risque imminent et l'incapacité à éviter tout risque qui peut entraîner la mort.

⚠ AVERTISSEMENT

Description des dangers possibles et des blessures qui en résultent ou la mort.

⚠ ATTENTION

Description des dangers et des éventuelles blessures qui en résultent.

⚠ AVIS

Déclaration incluant le type de danger et conséquences possibles.

ⓘ CONSEIL

Indique des informations, des notes ou des conseils pour améliorer votre succès en utilisant l'outil.

Règles de sécurité

⚠ AVERTISSEMENT Lire toutes les consignes de sécurité, des instructions, des illustrations et des indications fournies avec cet outil électrique.

Le non-respect des instructions indiqués ci-après peut entraîner un choc électrique, un incendie et/ou de graves blessures.

CONSERVER TOUS LES AVERTISSEMENTS ET TOUTES LES INSTRUCTIONS POUR POUVOIR S'Y REPORTER ULTÉRIEUREMENT.

Le terme « outil » dans les avertissements fait référence à votre outil électrique alimenté par le secteur (avec cordon d'alimentation) ou votre outil fonctionnant sur batterie (sans cordon d'alimentation)

Règles de sécurité générales

1) Place de travail

- Maintenez l'endroit de travail propre et bien éclairé.** Un lieu de travail en désordre ou mal éclairé augmente le risque d'accidents.
- N'utilisez pas l'appareil dans un environnement présentant des risques d'explosion et où se trouvent des liquides, des gaz ou poussières inflammables.** Les outils électroportatifs génèrent des étincelles risquant d'enflammer les poussières ou les vapeurs.
- Tenez les enfants et autres personnes éloignés durant l'utilisation de l'outil électroportatif.** En cas d'inattention vous risquez de perdre le contrôle sur l'appareil.
- Ne laissez pas l'outil électrique fonctionner sans surveillance.** Ne vous éloignez de l'outil électrique que lorsque l'accessoire est complètement immobilisé.

2) Sécurité relative au système électrique

- a) **La fiche de secteur de l'outil électroportatif doit être appropriée à la prise de courant. Ne modifiez en aucun cas la fiche. N'utilisez pas de fiches d'adaptateur avec des appareils avec mise à la terre.** Les fiches non modifiées et les prises de courant appropriées réduisent le risque de choc électrique.
 - b) **Évitez le contact physique avec des surfaces mises à la terre tels que tuyaux, radiateurs, fours et réfrigérateurs.** Il y a un risque élevé de choc électrique au cas où votre corps serait relié à la terre.
 - c) **N'exposez pas l'outil électroportatif à la pluie ou à l'humidité.** La pénétration d'eau dans un outil électroportatif augmente le risque d'un choc électrique.
 - d) **N'utilisez pas le câble à d'autres fins que celles prévues, n'utilisez pas le câble pour porter l'appareil ou pour l'accrocher ou encore pour le débrancher de la prise de courant. Maintenez le câble éloigné des sources de chaleur, des parties grasses, des bords tranchants ou des parties de l'appareil en rotation.** Un câble endommagé ou torsadé augmente le risque d'un choc électrique.
 - e) **Au cas où vous utiliseriez l'outil électroportatif à l'extérieur, utilisez une rallonge autorisée homologuée pour les applications extérieures.** L'utilisation d'une rallonge électrique homologuée pour les applications extérieures réduit le risque d'un choc électrique.
 - f) **Si l'usage d'un outil dans un emplacement humide est inévitable, utiliser une alimentation protégée par un dispositif à courant différentiel résiduel (RCD).** L'usage d'un RCD réduit le risque de choc électrique.
- c) **Évitez une mise en service par mégarde. Assurez-vous que l'interrupteur est effectivement en position d'arrêt avant de retirer la fiche de la prise de courant.** Le fait de porter l'appareil avec le doigt sur l'interrupteur ou de brancher l'appareil sur la source de courant lorsque l'interrupteur est en position de fonctionnement, peut entraîner des accidents.
 - d) **Enlevez tout outil de réglage ou toute clé avant de mettre l'appareil en fonctionnement.** Une clé ou un outil se trouvant sur une partie en rotation peut causer des blessures.
 - e) **Ne surestimez pas vos capacités. Veillez à garder toujours une position stable et équilibrée.** Ceci vous permet de mieux contrôler l'appareil dans des situations inattendues.
 - f) **Portez des vêtements appropriés. Ne portez pas de vêtements amples, ni de bijoux. Gardez les cheveux et les vêtements à distance des pièces mobiles.** Des vêtements amples, des bijoux ou des cheveux longs peuvent être happés par les pièces en mouvement.
 - g) **Si des dispositifs servant à aspirer ou à recueillir les poussières doivent être utilisés, vérifiez que ceux-ci soient effectivement raccordés et qu'ils sont correctement utilisés.** L'utilisation de tels dispositifs réduit les dangers dus aux poussières.
 - h) **Ne devenez pas trop sûr de vous, par habitude suite à une utilisation fréquente de l'appareil, de manière à ne pas respecter les principes de sécurité de base de l'appareil.** Une action imprudente peut occasionner de graves blessures en l'espace d'une fraction de seconde.

3) Sécurité des personnes

- a) **Restez vigilant, surveillez ce que vous faites. Faites preuve de bon en utilisant l'outil électroportatif. N'utilisez pas l'appareil lorsque vous êtes fatigué ou après avoir consommé de l'alcool, des drogues ou avoir pris des médicaments.** Un moment d'inattention lors de l'utilisation de l'appareil peut entraîner de graves blessures sur les personnes.
 - b) **Portez des équipements de protection. Portez toujours des lunettes de protection.** Le fait de porter des équipements de protection personnels tels que masque anti-poussières, chaus-
- a) **Ne surchargez pas l'appareil. Utilisez l'outil électroportatif approprié au travail à effectuer.** Avec l'outil électroportatif approprié, vous travaillerez mieux et avec plus de sécurité à la vitesse pour laquelle il est prévu.
 - b) **N'utilisez pas un outil électroportatif dont l'interrupteur est défectueux.** Un outil électroportatif qui ne peut plus être mis en ou hors fonctionnement est dangereux et doit être réparé.
 - c) **Retirer la fiche de la prise de courant avant d'effectuer des réglages sur l'appareil, de changer les accessoires, ou de ranger l'appa-**

tures de sécurité antidérapantes, casque de protection ou protection acoustique suivant le travail à effectuer, réduit le risque de blessures.

reil. Cette mesure de précaution empêche une mise en fonctionnement par mégarde.

- d) **Gardez les outils électroportatifs non utilisés hors de portée des enfants. Ne permettez pas l'utilisation de l'appareil à des personnes qui ne se sont pas familiarisées avec celui-ci ou qui n'ont pas lu ces instructions.** Les outils électroportatifs sont dangereux lorsqu'ils sont utilisés par des personnes non initiées.
- e) **Prenez soin des outils électroportatifs. Vérifiez que les parties en mouvement fonctionnent correctement et qu'elles ne soient pas coincées, et contrôlez si des parties sont cassées ou endommagées de telle sorte que le bon fonctionnement de l'appareil s'en trouve entravé. Faites réparer les parties endommagées avant d'utiliser l'appareil.** De nombreux accidents sont dus à des outils électroportatifs mal entretenus.
- f) **Maintenez les outils de coupe aiguisés et propres.** Des outils soigneusement entretenus avec des bords tranchants bien aiguisés se coincent moins souvent et peuvent être guidés plus facilement.
- g) **Utilisez les outils électroportatifs, les accessoires, les outils à monter etc. conformément à ces instructions et aux prescriptions en vigueur pour ce type d'appareil. Tenez compte également des conditions de travail et du travail à effectuer.** L'utilisation des outils électroportatifs à d'autres fins que celles prévues peut entraîner des situations dangereuses.
- h) **Gardez les poignées dans un état sec, propre et exempt d'huile et de graisse.** Des poignées glissantes ne permettent pas une prise en main sûre et le contrôle de l'outil électrique dans des situations inattendues.

5) Service

- a) **Ne faites réparer votre outil électroportatif que par un personnel qualifié et seulement avec des pièces de rechange d'origine.** Ceci permet d'assurer la sécurité de l'appareil.

Règle de sécurité particulière supplémentaire

- a) **Tenez l'outil par ses surfaces de prise isolées pendant toute opération où l'outil de coupe pourrait venir en contact avec un câblage dissimulé ou avec son propre cordon.** En cas de contact avec un conducteur sous tension, les

pièces métalliques à découvert de l'outil transmettraient un choc électrique à l'utilisateur.

- b) **Immobilisez l'outil sur une surface stable au moyen de brides ou de toute autre façon adéquate.** Le fait de tenir la pièce avec la main ou contre votre corps offre une stabilité insuffisante et peut amener un dérapage de l'outil.

La poussière, un risque pour la santé

⚠ AVERTISSEMENT Certaines poussières créées par le ponçage mécanique, le sciage, le meulage, le perçage et autres activités reliées à la construction contiennent des substances chimiques connues (dans l'État de la Californie) comme pouvant causer le cancer, des anomalies congénitales ou représenter d'autres dangers pour la reproduction. Voici quelques exemples de telles substances:

- plomb provenant de peintures à base de plomb,
- silice cristallisée utilisée dans les briques, le ciment et autres matériaux de maçonnerie, et
- arsenic et chrome du bois d'œuvre traité avec un produit chimique.

Le risque d'exposition à de tels produits varie selon la fréquence à laquelle vous faites ce genre de travail.



Pour réduire les risques d'exposition à ces substances chimiques : travaillez dans un endroit adéquatement ventilé et utilisez un équipement de sécurité approuvé, tel que masques antipoussières spécialement conçus pour filtrer les particules microscopiques.

⚠ AVERTISSEMENT POUR RÉDUIRE LE RISQUE DE DOMMAGES, L'UTILISATEUR DOIT LIRE LE MANUEL D'INSTRUCTION.

Caractéristiques techniques

Puissance	12 A
Tension	~ 120 V, 60 Hz
Vitesse à vide	10000 - 22500 min ⁻¹
Réglage en profondeur rapide	2-3/4" (70 mm)
Réglage en profondeur fin	5/16" (8 mm)
Filetage de broche	M 22 x 1
Diamètre de fraise, maxi.	2-7/16" (63 mm)
Poids	9.9 lbs (4.5 kg)
Classe de protection	□ / II

Symbole



Avertissement de danger général!



Risque d'électrocution!



Lire les instructions!



Portez des lunettes de protection!

V Volt

A Ampère

Hz Hertz

~ Tension alternative

n_0 Vitesse de rotation à vide

□ Classe II conception

min^{-1}

tr/min Tours par minute

∅ Diamètre

Description fonctionnelle

Des schémas de l'outil sont disponibles sur le volet qui se trouve au début de cette notice d'utilisation. Vous pouvez ainsi déplier cette page et visualiser en permanence les différentes parties de l'outil lorsque vous lisez la notice.

- 1.1 Régulateur de vitesse de rotation
- 1.2 Bouton de blocage
- 1.3 Interrupteur marche/arrêt
- 1.4 Graduation
- 1.5 Dispositif d'arrêt de l'axe
- 1.6 Butée tournante
- 1.7 L'écrou de la pince de serrage

Utilisation conforme

Les défonceuses sont destinées à fraiser le bois, les matières plastiques et les matériaux ressemblant au bois. En cas d'utilisation des outils de fraisage prévus à cet effet dans les documentations de vente Festool, de l'aluminium et du placoplâtre peuvent également être traités.

⚠ AVERTISSEMENT Les outils électriques Festool doivent uniquement être montés sur une table de travail prévue par Festool à cet effet. Du fait du montage sur une autre table de travail ou sur une table de travail réalisée par vos propres soins,

l'outil électrique peut devenir instable et entraîner des blessures graves.

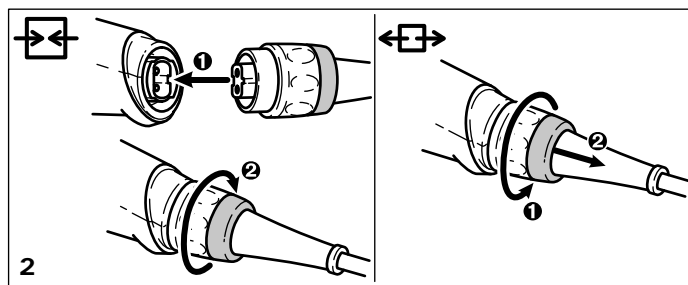
⚠ AVERTISSEMENT L'utilisateur est seul tenu responsable des dommages et des accidents qui résulteraient d'une utilisation non conforme.

Raccordement électrique

La tension du secteur doit correspondre à l'indication de la tension sur la plaquette signalétique. Un fusible de 16 A (à 120 V) ou un disjoncteur de puissance approprié est nécessaire.

Voir en figure suivante la connexion et la déconnexion du câble de raccordement au secteur.

⚠ AVERTISSEMENT Mettez la machine hors marche, avant de connexion ou de déconnexion le câble de raccordement secteur.



Câble de rallonge

Si une rallonge électrique est nécessaire, elle doit présenter une section suffisante afin d'éviter une chute de tension excessive ou une surchauffe. Une chute de tension excessive réduit la puissance et peut entraîner la destruction du moteur. Le tableau suivant vous présente la section correcte du câble en fonction de sa longueur pour la défonceuse OF 1400 EQ. Utilisez exclusivement des rallonges recommandées par U.L. et CSA. N'utilisez jamais deux rallonges branchées l'une après l'autre, mais remplacez-les par une rallonge plus longue.

Longueur totale rallonge (pieds)	25	50	100	150
Section du câble (AWG)	16	14	12	10

Remarque: plus le numéro AWG est petit, plus la section du câble est grande.

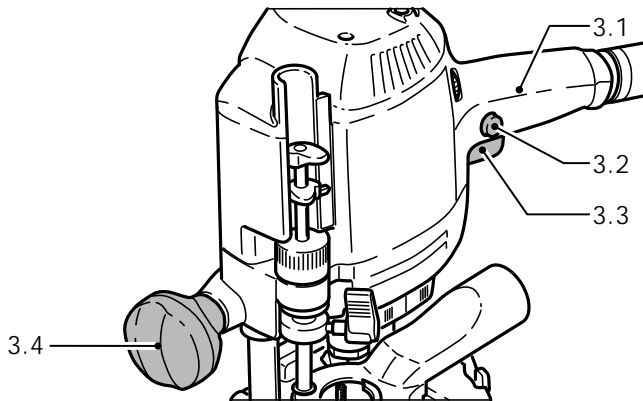
Mise en marche et arrêt de la machine

⚠ AVERTISSEMENT Lors de la mise en marche et en cours d'utilisation, tenez toujours la scie à deux mains à les poignées (3.1, 3.4).

L'interrupteur (3.3) sert d'interrupteur marche, arrêt. L'utilisation en continue est facilitée par le

bouton de blocage (3.2) latéral. Une nouvelle pression sur l'interrupteur libère le blocage.

⚠AVERTISSEMENT Après l'arrêt de la machine, la fraise tourne encore quelque temps. Attention de ne pas toucher la fraise avec une partie du corps pendant qu'elle décélère !



Réglages de l'outil

⚠AVERTISSEMENT Débranchez toujours la fiche de la source de courant avant d'entreprendre quelque réglage que ce soit sur la scie circulaire ou avant de monter/démonter un accessoire!

Electronique

La défonceuse OF 1400 EQ dispose d'une électronique à ondes pleines permettant les fonctions suivantes:

Démarrage en douceur :

Le démarrage en douceur réglé électroniquement assure un démarrage sans à-coups de la machine et nécessite un courant de démarrage plus faible.

Réglage de la vitesse de rotation :

La vitesse de rotation peut être réglée progressivement entre 10000 et 22500 tr/min, par l'intermédiaire d'un variateur (1.1).

Le tableau suivante vous indiquera les différentes positions de l'électronique adaptées aux matériaux fraisés. Les vitesses sont variables.

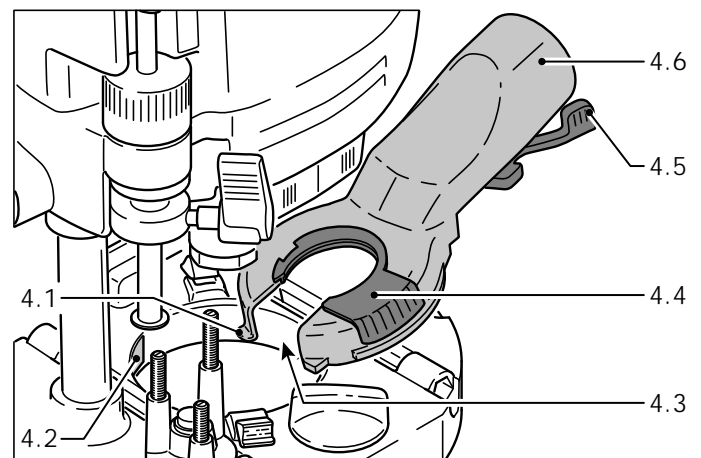
Matériau	Fraise diamètre			Matériau de l'outil
	3/8"	1"	1-1/2"	
	-	-	-	
	1" 10-25 mm	1-1/2" 25-40 mm	2-7/16" 40-63 mm	
Bois tendre	6-4	5-3	3-1	HW/HSS
Bois dur	6-5	6-4	5-3	HSS/HW
Panneaux	6-5	6-4	4-2	HW
Plastique	6-4	6-3	3-1	HW
Aluminium	3-1	3-1	2-1	HSS/HW
Placoplâtre	2-1	1	1	HW

Vitesse constante :

La vitesse présélectionnée du moteur est maintenue constante par un système électronique. On obtient également ainsi une vitesse de coupe constante en cas de charge.

⚠AVERTISSEMENT Cela peut entraîner une vitesse de rotation trop élevée. Une électronique défectueuse peut être remarquée si le démarrage progressif est inexistant, s'il existe un bruit sourd lors de la rotation à vide ou encore si aucun réglage de la vitesse de rotation n'est possible.

Aspiration

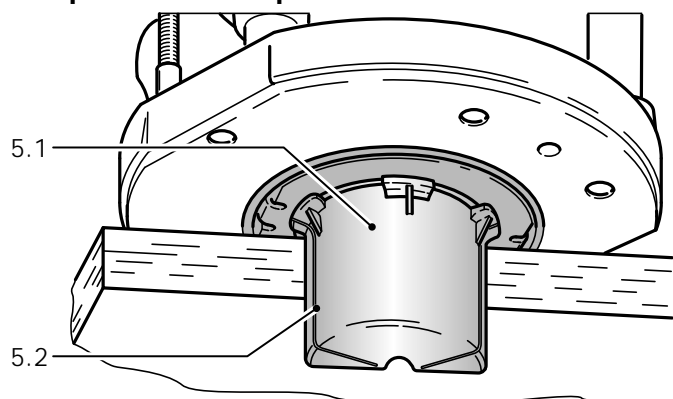


Les copeaux peuvent être évacués par le capot d'aspiration. Le plastique transparent permet une bonne visibilité sur l'outil. Le manchon d'aspiration (4.6) permet de raccorder un aspirateur Festool doté d'un flexible de 36 mm ou 27 mm. Pour limiter les risques de bourrage, nous recommandons un diamètre de 36 mm.

– Montez le capot d'aspiration sur la table de fraisage en introduisant ce dernier avec les deux tenons (4.1) dans les orifices (4.2) de la table de fraisage, posez-le puis serrez le levier (4.5). Pour permettre l'installation et la dés-installation du capot d'aspiration avec une fraise montée, le segment (4.4) pivote, jouant ainsi sur l'ouverture (4.3) du capot. Pour une aspiration optimale, l'ouverture doit être fermée à l'aide du segment pivotant (4.4) pendant le travail.

⚠ATTENTION Ce capot d'aspiration peut seulement être utilisé pour de fraises jusqu'à un diamètre de 1-1/8" (28 mm).

Récupérateur de copeaux KSF-OF



Le récupérateur de copeaux KSF-OF (5.1) (en partie dans l'équipement standard) accroît l'efficacité du système d'aspiration lors des opérations d'affleurement.

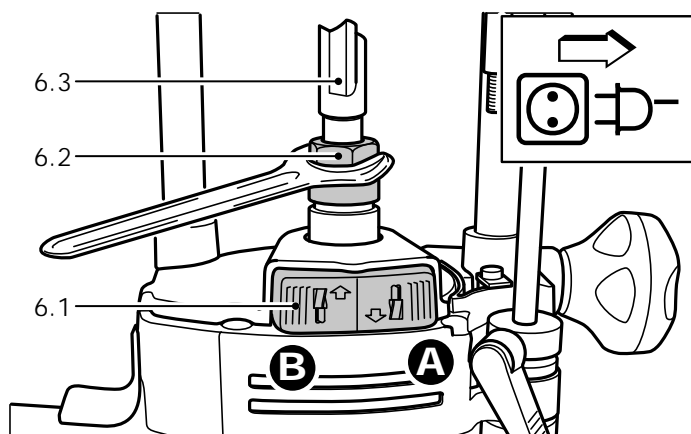
Le montage s'effectue de la même manière que pour la bague de copiage (figure 12).

Le capot peut être découpé le long des gorges (5.2) avec une scie alternative afin de le réduire. Le récupérateur de copeaux peut alors être utilisé jusqu'à un rayon minimum de 1-1/2" (40 mm) pour les rayons intérieurs.

Outils de fraisage

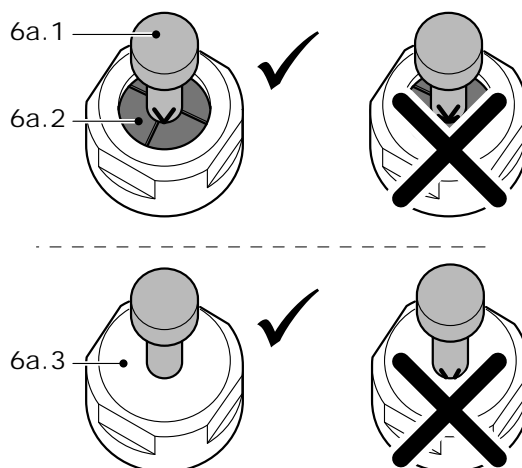
⚠ AVERTISSEMENT La vitesse maximale indiquée sur l'outil ne doit pas être dépassée par le haut ou resp. les limites de la vitesse de rotation doivent être respectées. Ne pas utiliser de fraises déformées ou usées.

Pour faciliter le changement d'outil, il est possible de retourner la machine.



Insertion de l'outil

– Introduire la fraise (6.3/6a.1) aussi loin que possible dans la pince de serrage (6a.2) ouverte, au moins jusqu'au repère ∇ de la tige de la fraise. Si la pince de serrage n'est pas visible en raison de l'écrou-raccord (6a.3), la fraise doit être insérée dans la pince de serrage au moins jusqu'à ce que le repère ∇ ne se trouve plus au-dessus de l'écrou-raccord.



- Appuyer sur le bouton de blocage de broche (6.1) situé sur le côté droit (A).
- Serrez l'écrou (6.2) à l'aide de la clé à fourche d'ouverture de 15/16" (24).

Retrait de l'outil

- Appuyer sur le bouton de blocage de broche (6.1) situé sur le côté gauche (B).
- Desserrer l'écrou (6.2) avec une clé à fourche de 15/16" (24 mm) jusqu'à ce qu'il soit possible de retirer l'outil.

Nota : le dispositif de blocage de broche bloque la broche motorisée dans un seul sens de rotation. Il n'est donc pas nécessaire de retirer la clé de serrage lors du desserrage ou du serrage, car elle peut être déplacée comme un cliquet.

Changement de pince de serrage

- Appuyer sur le bouton de blocage de broche (6.1) situé sur le côté gauche. Démontez complètement l'écrou (6.2) et reprenez-le de l'arbre avec la pince.
- Appuyer sur le bouton de blocage de broche (6.1) situé sur le côté droit. Introduisez une nouvelle pince avec écrou dans l'arbre et serrez l'écrou légèrement. Ne pas serrer à fond l'écrou s'il n'y a pas de fraise!

Réglage de la profondeur de fraisage

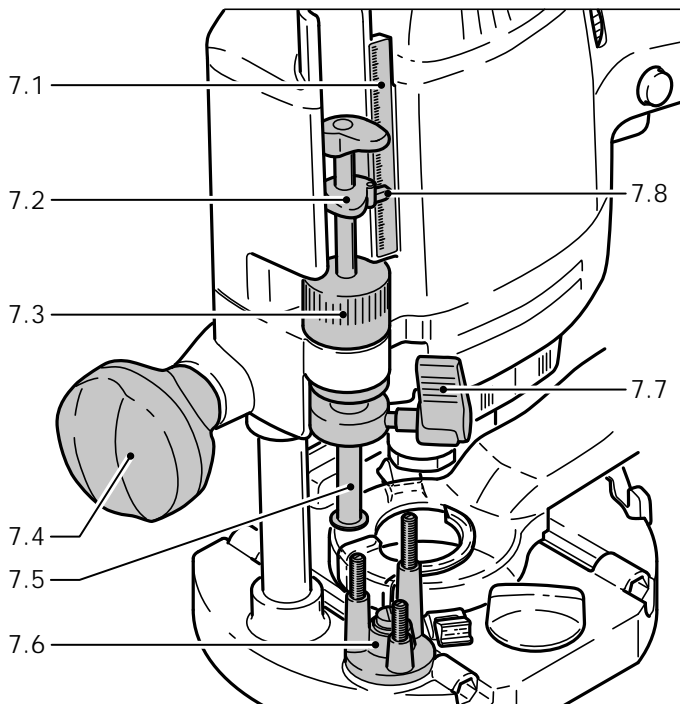
Le réglage de la profondeur de fraisage s'opère en trois étapes:

a) Réglage du zéro

- Débloquez le levier de serrage de sorte que la butée de profondeur (7.5) devienne entièrement mobile.
- Placez la défonceuse avec la table de fraisage (7.7) sur un support plan. Débloquez le bouton

rotatif (7.4) et poussez la machine vers le bas jusqu'à ce que la défonceuse soit en contact avec le support. Fixez la machine au moyen du bouton rotatif (7.4) dans cette position.

- Poussez la butée de profondeur contre l'une des trois butées fixes de la butée tournante (7.6).



- Un tournevis vous permet de régler individuellement la hauteur de chacune des butées fixes.

Butée fixe	hauteur min.	hauteur max.
A	1-13/16" (47 mm)	2-5/16" 60 mm
B	2-1/16" (53 mm)	2-7/8" 74 mm
C	2-5/16" 60 mm	3-3/8" 86 mm

- Poussez l'indicateur (7.2) vers le bas, de sorte qu'il soit dirigé sur 0" sur la graduation (7.1).

Si la position zéro n'est pas correcte, il est possible de la rectifier avec la molette (7.8) de l'indicateur.

b) Détermination de la profondeur de fraisage

La profondeur de fraisage souhaitée peut être réglée soit par le réglage rapide en profondeur soit par le réglage fin en profondeur.

Réglage rapide en profondeur:

- tirez la butée de profondeur (7.5) vers le haut jusqu'à ce que l'indicateur indique la profondeur de fraisage souhaitée. Bloquez la butée de profondeur au moyen du levier de serrage (7.7) dans cette position.

Réglage fin en profondeur:

- bloquez la butée de profondeur au moyen du levier de serrage (7.7). Réglez la profondeur de fraisage souhaitée en tournant le bouton moleté

(7.3). En tournant le bouton d'un trait, la profondeur de fraisage se modifie de 0.004" (0,1 mm). Un tour complet donne lieu à une variation de ~1/16" (1 mm). La plage de réglage maximale du bouton moleté est de 5/16" (8 mm).

c) Réduire la profondeur de fraisage

- Desserrez le bouton rotatif (7.4) et poussez la machine vers le bas jusqu'à ce que la butée de profondeur soit au contact de la butée fixe.
- Pour verrouiller la position, serrez le bouton rotatif (7.4).

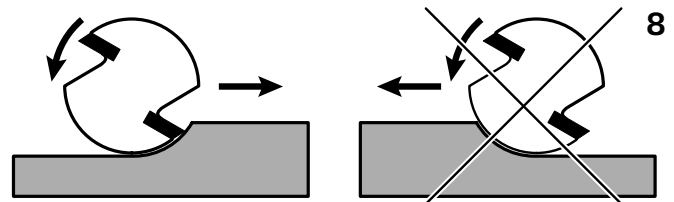
Travailler avec la défonceuse

⚠ AVERTISSEMENT Fixer la pièce à usiner de manière à ce qu'elle ne puisse pas bouger pendant le traitement.

⚠ AVERTISSEMENT Tenir la machine en toute sécurité avec les deux mains et la déplacer seulement lentement vers le bas.

⚠ AVERTISSEMENT Avant tout contact de l'outil avec la pièce à usiner, mettez toujours la défonceuse en route.

⚠ AVERTISSEMENT Travaillez de sorte que le sens d'avance de la défonceuse corresponde au sens de coupe de la fraise (fraisage opposé).



Appui des pièces

⚠ AVERTISSEMENT Veillez à ce que vos pièces reposent en toute sécurité et qu'elles ne puissent pas bouger pendant le fraisage. Vous exposez sinon à de graves risques d'accident. Utilisez serre-joints ou d'autres équipements appropriés pour fixer votre pièce.

Traitement de l'aluminium

⚠ AVERTISSEMENT Pour des raisons de sécurité, respecter les mesures suivantes dans le cas du traitement de l'aluminium:

- Installer un commutateur de sécurité à courant de défaut (FI).
- Raccorder l'outil à un aspirateur approprié.
- La machine doit régulièrement être nettoyée pour éliminer les dépôts de poussières accumulées dans le corps du moteur.

- Porter des lunettes de protection.

Usinage à la volée

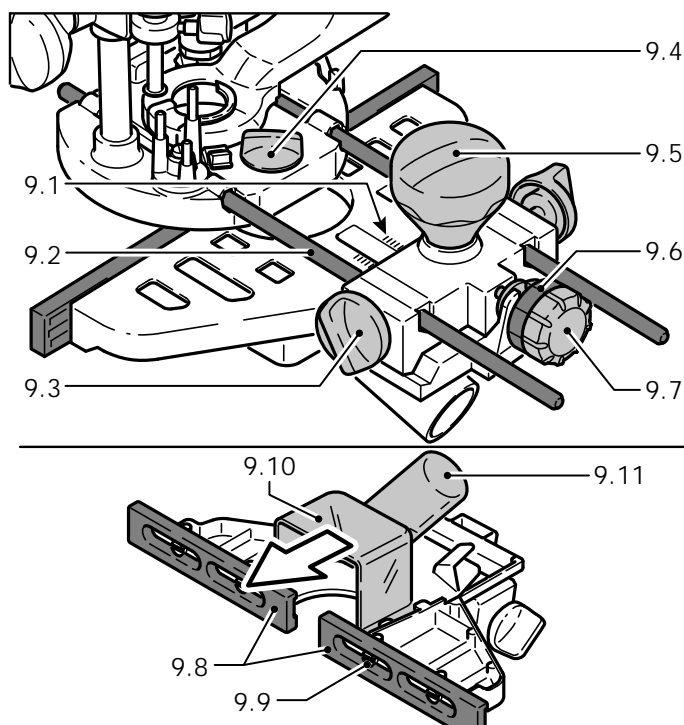
Ce type d'usinage s'effectue essentiellement pour les écritures et fraisage de tableaux et pour l'usinage de chants en utilisant des fraises avec galet-butée ou avec guide-butée.

Fraiser avec la butée latérale

Pour effectuer un fraisage parallèle sur chants, on peut utiliser la butée latérale fournie (accessoires).

- Pour serrer la butée latérale en position le long des deux tiges de guidage (9.2), utiliser les deux molettes (9.3).
- Introduire les tiges de guidage dans les rainures de la table à fraiser jusqu'au point souhaité puis les serrer avec la molette (9.4).

Réglage fin :

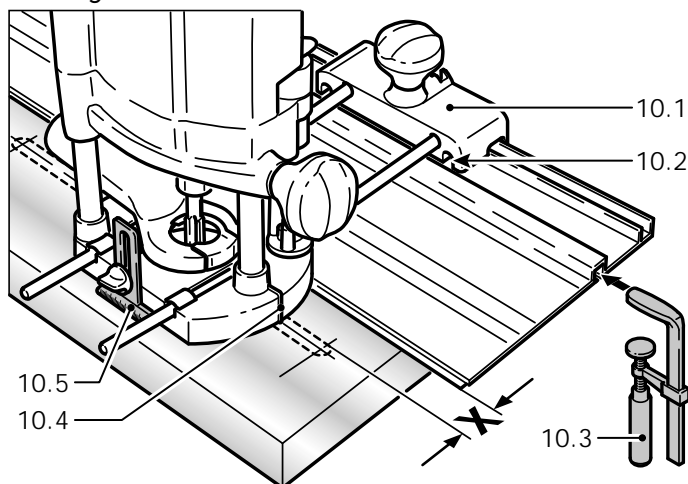


- desserrer la poignée rotative (9.5) pour procéder à un réglage fin au moyen de la molette (9.7). La bague graduée (9.6) porte des graduations de 0,1 mm. Pour régler la position „zéro“, maintenir la molette et tourner la bague graduée. La graduation en millimètres (9.1) de la partie centrale est utile pour des réglages plus grossiers. Une fois effectué le réglage fin, serrer la poignée rotative (9.5).
- Régler les deux patins de guidage (9.8) de manière à ce que l'écart les séparant de la fraise soit égal à environ 7/32" (5 mm). Pour cela, desserrer les vis (9.9), puis les serrer à nouveau une fois le réglage effectué.

- Monter le raccord d'aspiration (9.10) sur la butée latérale par encliquetage, comme sur l'illustration 8. Le manchon d'aspiration (9.11) permet de raccorder un flexible d'aspiration de 27 mm ou 36 mm.

Fraiser avec le système de guidage FS

Le système de guidage FS (accessoires) facilite le fraisage de rainures droites.

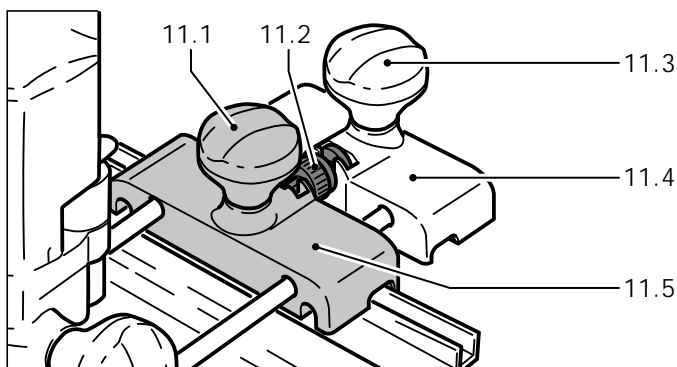


- Fixez la butée de guidage (10.1) au moyen des tiges de guidage de la butée latérale sur la table de fraisage.
- Fixez le rail de guidage au moyen de serre-joint (10.3) sur la pièce. Veillez à ce qu'un écart de sécurité X de 7/32" (5 mm) soit respecté entre le bord avant du rail de guidage et l'outil ou resp. la rainure.
- Posez la butée de guidage sur le rail de guidage comme représenté figure 10. Afin d'assurer un guidage sans jeu de la butée de fraisage, il est possible de régler, avec un tournevis, les deux mâchoires de guidage, au travers des deux orifices latéraux (10.2).
- Vissez l'appui réglable en hauteur (10.5) sur le trou fileté de la table de fraisage, de sorte que la face inférieure de la table de fraisage et la surface de la pièce à usiner soient parallèles.

Afin de pouvoir travailler suivant tracé, les marquages sur la table de fraisage (10.4) et la graduation sur l'appui (10.5) vous indiquent l'axe central de la fraise.

Réglage fin

Le dispositif de réglage fin (accessoires) permet de déterminer avec précision la distance X (figure 10) entre la fraise et le rail de guidage.



- Installez le dispositif de réglage fin (11.5) entre la défonceuse et la butée de guidage (11.4) sur les glissières.
- Positionnez la molette (11.2) de réglage fin dans les orifices du dispositif de réglage fin ainsi que la butée de guidage, et vissez la tige de la molette environ jusqu'à la moitié de l'écrou du dispositif de réglage fin.
- Pour le réglage, serrez la molette (11.3) de réglage fin et desserrez la molette (11.1) de la butée de guidage.
- Une fois satisfait du réglage, serrez la molette (11.1) de la butée de guidage.

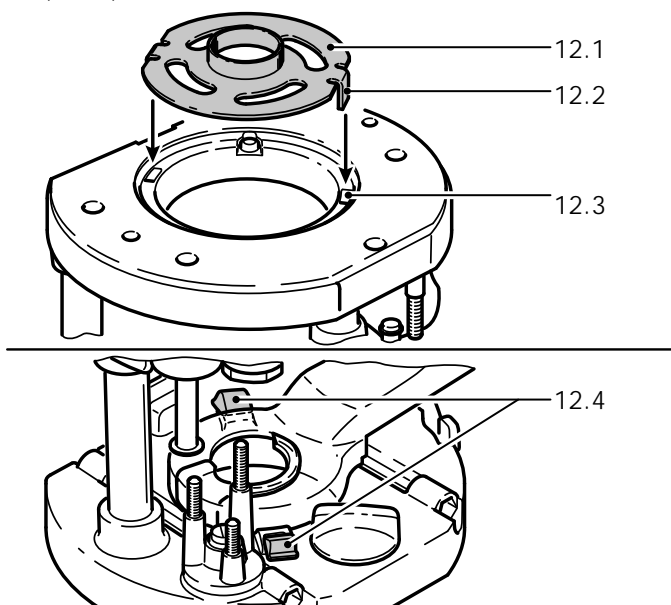
Copier un fraisage

Afin de reproduire une pièce existante exactement, on utilise une bague ou le système de copiage (les deux disponibles en tant qu'accessoire).

- Il est livré avec le plaque d'adaptation pour les guides de modèles impériaux inclus.

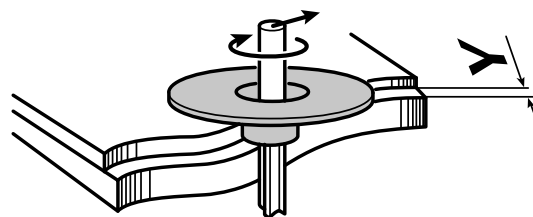
a) Bague de copiage

- Pour fixer la bague de copiage (12.1) contre la table de fraisage, insérer les deux griffes (12.2) dans les encoches (12.3).
- Pour défaire la bague de copiage, appuyez simultanément vers l'intérieur sur les deux touches (12.4).



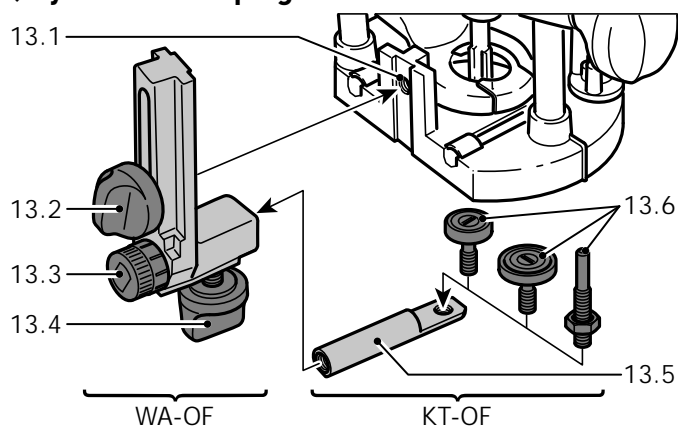
⚠ ATTENTION Lors du choix de la taille de la bague de copiage, veillez à ce que le diamètre de la fraise utilisée corresponde au diamètre de la bague.

La saillie Y de la pièce à usiner par rapport au gabarit se calcule comme suit :



$$Y = 1/2 (\text{Ø de la bague de copiage} - \text{Ø de la fraise})$$

b) Système de copiage



Le système de copiage exige le bras angulaire WA-OFF et le set de copiage KT-OFF, comprenant un support de galets (13.5) et trois galets de copiage (13.6).

- Vissez le bras angulaire, au moyen du bouton rotatif (13.2), à la hauteur souhaitée sur le trou fileté (13.1) de la table de fraisage.
- Montez un galet de copiage sur le support de galets puis vissez ce dernier au moyen du bouton rotatif (13.4) à fond sur le bras angulaire. Veillez à ce que le rouleau de copiage et que la fraise présentent le même diamètre !
- En tournant le bouton moleté (13.3), la distance entre galet et l'axe de la fraise peut être réglée.

Maintenance et entretien

⚠ AVERTISSEMENT Toutes les interventions de maintenance et de réparation qui exigent l'ouverture du carter du moteur ou de l'engrenage doivent uniquement être réalisées par un atelier de service après-vente agréé (demandez ses coordonnées à votre revendeur)! La maintenance ou la réparation de la machine par des personnes non autorisées peut entraîner un branchement incorrect de câbles électriques ou d'autres composants, ce qui peut provoquer des accidents avec de graves blessures.

⚠ AVERTISSEMENT Afin d'empêcher les accidents, il faut toujours débrancher la fiche de la source de courant avant toute intervention de maintenance ou de réparation! N'utilisez pas d'air comprimé pour nettoyer l'outil électrique! N'essayez pas de nettoyer des pièces à l'intérieur de la machine en introduisant des objets par les ouvertures de l'appareil.

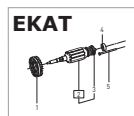
⚠ ATTENTION Certains détergents et solvants détériorent les pièces en matière plastique. Citons notamment l'essence, le chlorure de carbonyle, les solutions de détergents contenant du chlore, l'ammoniac et les détergents ménagers contenant de l'ammoniac.

- ▶ Les ouvertures d'air de refroidissement du carter du moteur doivent être toujours maintenues dégagées et propres pour assurer la circulation de l'air.
- ▶ La machine est équipée de charbons spéciaux à coupure automatique. Lorsqu'ils sont usés, le courant est automatiquement interrompu et la machine s'arrête. Apportez dans ce cas votre scie dans un atelier de service après-vente agréé qui se chargera de remplacer les charbons.



Seuls le fabricant et un atelier homologué sont habilités à effectuer **toute réparation ou service**. Les adresses à proximité sont disponibles sur:

www.festoolusa.com/service



Utilisez uniquement des **pièces de rechange Festool** d'origine. Référence sur: www.festoolusa.com/service

Accessoires, outils

⚠ AVERTISSEMENT Pour des raisons de sécurité, il faut utiliser exclusivement des accessoires et outils d'origine Festool!

Festool vous offre une large gamme d'accessoires pour les défonceuses, pour assurer par exemple la réalisation d'assemblages de bois ou afin de pouvoir percer une série de trous.

Les références des accessoires et outils figurent dans le catalogue Festool ou sur Internet sous www.festoolusa.com.

Systainer

De nombreux produits Festool sont fournis dans une caisse exclusive, appelée "Systainer". Celle-ci permet de protéger et de ranger des outils et des appareils complémentaires. Les Systainer sont

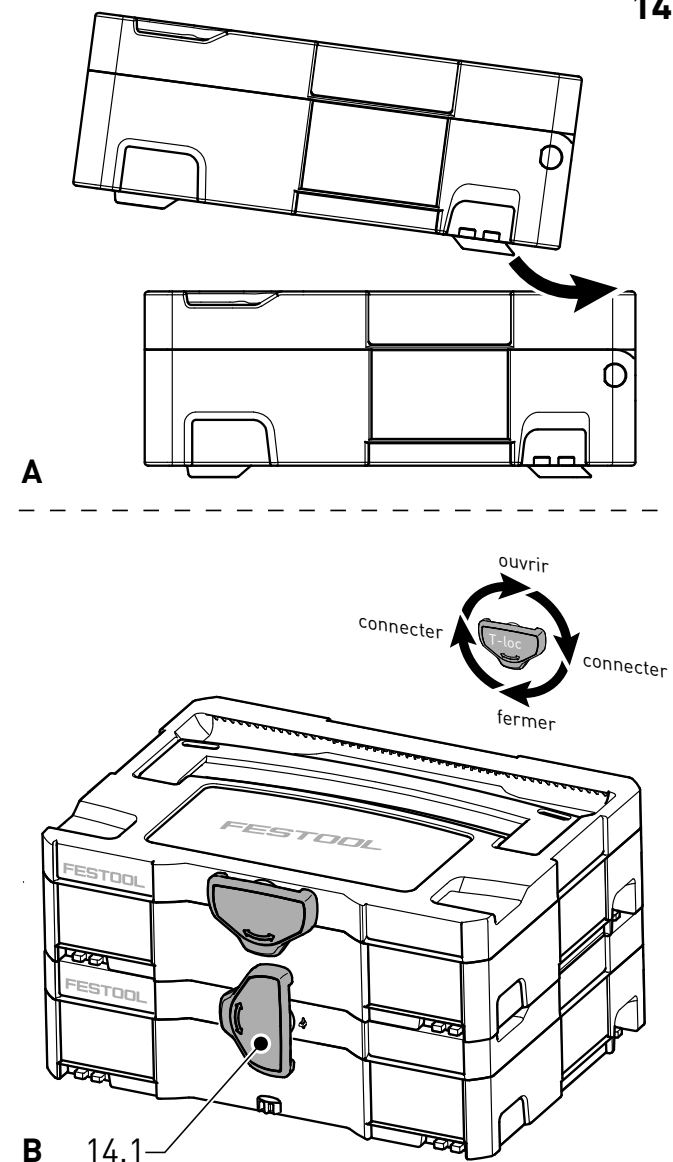
empilables et peuvent être solidarisés. En outre, ils se fixent sur les aspirateurs CT Festool.

- Pour ouvrir le Systainer:
 - Tournez le T-loc [14.1] à la position
- Pour fermer le Systainer:
 - Tournez le T-loc [14.1] à la position
- Pour connecter deux Systainers:
 - Placez un Systainer au dessus de l'autre (Fig. 14 A).
 - Tournez le T-loc [14.1] à la position ou (Fig. 14 B).

Les Systainers sont combinés.

- ▶ Un Systainer de la nouvelle génération peut être attaché au dessus d'un Systainer de l'ancienne génération par les quatre loquets de l'ancien Systainer.

14



Contenido

Sobre este manual.....	25
Normas de seguridad	25
Datos técnicos	27
Símbolos	27
Descripción del funcionamiento	28
Use para los propósitos intencionados	28
Conexión eléctrica	28
Conexión y desconexión de la máquina	28
Ajustes en la máquina	29
Electrónica	29
Aspiración	29
Fresas	30
Cambiar el mandril	30
Ajustar la profundidad de fresado	31
Trabajando con la fresadora	31
Apoyo de las piezas	31
Fresado metal (Aluminio)	32
Fresado a pulso	32
Fresado con tope lateral	32
Fresado con sistema de guía FS	32
Fresar copiando	33
Mantenimiento y limpieza	33
Accesorios, herramientas	34

Sobre este manual

Guarde estas instrucciones

Es importante que usted lea y entienda este manual. La información que contiene se relaciona con la protección de **su seguridad y la prevención de problemas**. Los símbolos que siguen se utilizan para ayudarlo a reconocer esta información.

⚠ PELIGRO

Descripción de peligro inminente y fracaso para evitar riesgos que podran causar la muerte.

⚠ ADVERTENCIA

Descripción de peligro y posibles lesiones resultantes o la muerte.

⚠ PRECAUCIÓN

Descripción de peligro y posibles lesiones resultantes.

ⓘ AVISO

Declaración incluyendo el tipo de riesgo y posible resultados.

ⓘ CONSEJO

Indica informaciones, notas, o consejos para mejorar su éxito con la herramienta.

Normas de seguridad

⚠ ADVERTENCIA Lea todas las advertencias de seguridad, instrucciones, ilustraciones y especificaciones que acompañan a esta herramienta eléctrica. El incumplimiento de dichas instrucciones puede dar lugar a descargas eléctricas, incendios o lesiones graves.

GUARDAR TODAS LAS ADVERTENCIAS DE PELIGRO E INSTRUCCIONES PARA FUTURAS CONSULTAS.

El término herramienta eléctrica empleado en las siguientes advertencias de peligro se refiere a herramientas eléctricas de conexión a la red (con cable de red) y a herramientas eléctricas accionadas por acumulador (o sea, sin cable de red).

Normas generales de seguridad

1) Puesto de trabajo

- Mantenga limpio y bien iluminado su puesto de trabajo.** El desorden y una iluminación deficiente en las áreas de trabajo pueden provocar accidentes.
- No utilice la herramienta eléctrica en un entorno con peligro de explosión, en el que se encuentren combustibles líquidos, gases o material en polvo.** Las herramientas eléctricas producen chispas que pueden llegar a inflamar los materiales en polvo o vapores.
- Mantenga alejados a los niños y otras personas de su puesto de trabajo al emplear la herramienta eléctrica.** Una distracción le puede hacer perder el control sobre el aparato.
- Vigile siempre la herramienta eléctrica mientras esté en funcionamiento.** Mantenga vigilada la herramienta eléctrica hasta que ésta pare por completo.

2) Seguridad eléctrica

- El enchufe del aparato debe corresponder a la toma de corriente utilizada. No es admisible modificar el enchufe en forma alguna. No emplear adaptadores en aparatos dotados con una toma de tierra.** Los enchufes sin modificar

adecuados a las respectivas tomas de corriente reducen el riesgo de una descarga eléctrica.

- b) **Evite que su cuerpo toque partes conectadas a tierra como tuberías, radiadores, cocinas y refrigeradores.** El riesgo a quedar expuesto a una sacudida eléctrica es mayor si su cuerpo tiene contacto con tierra.
- c) **No exponga las herramientas eléctricas a la lluvia y evite que penetren líquidos en su interior.** Existe el peligro de recibir una descarga eléctrica si penetran ciertos líquidos en la herramienta eléctrica.
- d) **No utilice el cable de red para transportar o colgar el aparato, ni tire de él para sacar el enchufe de la toma de corriente. Mantenga el cable de red alejado del calor, aceite, esquinas cortantes o piezas móviles.** Los cables de red dañados o enredados pueden provocar una descarga eléctrica.
- e) **Al trabajar con la herramienta eléctrica en la intemperie utilice solamente cables de prolongación homologados para su uso en exteriores.** La utilización de un cable de prolongación adecuado para su uso en exteriores reduce el riesgo de una descarga eléctrica.
- f) **Si fuese imprescindible utilizar la herramienta eléctrica en un entorno húmedo, es necesario conectarla a través de un fusible diferencial.** La aplicación de un fusible diferencial reduce el riesgo a exponerse a una descarga eléctrica.

3) Seguridad de personas

- a) **Esté atento a lo que hace y emplee la herramienta eléctrica con prudencia. No utilice la herramienta eléctrica si estuviese cansado, ni tampoco después de haber consumido alcohol, drogas o medicamentos.** El no estar atento durante el uso de una herramienta eléctrica puede provocarle serias lesiones.
- b) **Utilice un equipo de protección y en todo caso unas gafas de protección.** El riesgo a lesionarse se reduce considerablemente si, dependiendo del tipo y la aplicación de la herramienta eléctrica empleada, se utiliza un equipo de protección adecuado como una mascarilla antipolvo, zapatos de seguridad con suela antideslizante, casco, o protectores auditivos.
- c) **Evite una puesta en marcha fortuita del aparato. Cerciorarse de que el aparato esté desconectado antes conectarlo a la toma de corriente.** Si transporta el aparato sujetándolo por el interruptor de conexión/desconexión, o si introduce el enchufe en la toma de corriente

con el aparato conectado, ello puede dar lugar a un accidente.

- d) **Retire las herramientas de ajuste o llaves fijas antes de conectar la herramienta eléctrica.** Una herramienta o llave colocada en una pieza rotante puede producir lesiones al ponerse a funcionar.
- e) **Sea precavido. Trabaje sobre una base firme y mantenga el equilibrio en todo momento.** Ello le permitirá controlar mejor la herramienta eléctrica en caso de presentarse una situación inesperada.
- f) **Utilice ropa adecuada. No utilice ropa ancha ni objetos de joyería o bisutería. Mantenga el pelo y la ropa alejada de las piezas en movimiento.** La ropa suelta o el pelo largo pueden quedar atrapados por piezas en movimiento.
- g) **Siempre que sea posible utilizar unos equipos de aspiración o captación de polvo, asegúrese que éstos estén montados y que sean utilizados correctamente.** El empleo de estos equipos reduce los riesgos derivados del polvo.
- h) **No debe jamás confiarse por el uso frecuente de las máquinas e ignorar los principios de seguridad de la herramienta.** Un manejo imprudente puede ocasionar lesiones graves en fracciones de segundo.

4) Trato y uso cuidadoso de herramientas eléctricas

- a) **No sobrecargue el aparato. Use la herramienta prevista para el trabajo a realizar.** Con la herramienta adecuada podrá trabajar mejor y más seguro dentro del margen de potencia indicado.
- b) **No utilice herramientas con un interruptor defectuoso.** Las herramientas que no se puedan conectar o desconectar son peligrosas y deben hacerse reparar.
- c) **Saque el enchufe de la red antes de realizar un ajuste en el aparato, cambiar de accesorio o al guardar el aparato.** Esta medida preventiva reduce el riesgo a conectar accidentalmente el aparato.
- d) **Guarde las herramientas fuera del alcance de los niños y de las personas que no estén familiarizadas con su uso.** Las herramientas utilizadas por personas inexpertas son peligrosas.
- e) **Cuide sus aparatos con esmero. Controle si funcionan correctamente, sin atascarse, las partes móviles del aparato, y si existen partes rotas o deterioradas que pudieran afectar al funcionamiento de la herramienta. Si la herramienta eléctrica estuviese defectuosa haga**

repararla antes de volver a utilizarla. Muchos de los accidentes se deben a aparatos con un mantenimiento deficiente.

- f) **Mantenga los útiles limpios y afilados.** Los útiles mantenidos correctamente se dejan guiar y controlar mejor.
- g) **Utilice herramientas eléctricas, accesorios, útiles, etc. de acuerdo a estas instrucciones y en la manera indicada específicamente para este aparato. Considere en ello las condiciones de trabajo y la tarea a realizar.** El uso de herramientas eléctricas para trabajos diferentes de aquellos para los que han sido concebidas puede resultar peligroso.
- h) **Mantenga las empuñaduras secas, limpias y libres de aceite y grasa.** Las empuñaduras resbaladizas no permiten una manipulación y un control seguros de la herramienta eléctrica en situaciones inesperadas.

5) Servicio

- a) **Únicamente haga reparar su herramienta eléctrica por un profesional, empleando exclusivamente piezas de repuesto originales.** Solamente así se mantiene la seguridad de la herramienta eléctrica.

Normas de seguridad específicas

- a) **Sujete la herramienta por la superficie de agarre aislada cuando realice una operación donde la herramienta de corte pueda contactar alambres ocultos o su propio cable.** El contacto con un alambre con corriente hará traspasar la corriente a las partes de metal de la herramienta resultando en una descarga eléctrica al usuario.
- b) **Use abrazaderas u otras formas prácticas de sujetar y asegurar la pieza de trabajo en una plataforma estable.** El sujetar la pieza de trabajo con la mano o contra el cuerpo es inestable y puede causar la pérdida de control.

Riesgos para la salud producidos por el polvo

⚠️ ADVERTENCIA Algunos polvos creados por lijadoras motorizadas, aserraderos, trituradores, perforadoras y otras actividades de construcción contienen sustancias químicas que se sabe (en el Estado de California) causan cáncer, defectos de nacimiento u otros daños al sistema reproductivo.

Algunos ejemplos de estas sustancias químicas son:

- Plomo de las pinturas con base de plomo
- Sílice cristalino de los ladrillos y cemento y otros productos de mampostería, y
- Arsénico y cromo de madera tratada con sustancias químicas

El riesgo de exposición a estas sustancias varía, dependiendo de cuantas veces se hace este tipo de trabajo.



Para reducir el contacto con estas sustancias químicas: trabaje en un área con buena ventilación y trabaje con equipo de seguridad aprobado, como mascarillas para el polvo diseñadas específicamente para filtrar partículas microscópicas.

⚠️ ADVERTENCIA PARA REDUCIR EL RIESGO DE LESIÓN, EL USUARIO DEBE LEER EL MANUAL DE INSTRUCCIÓN.

Datos técnicos

Potencia	12 A
Tensión	~ 120 V, 60 Hz
Velocidad sin carga	10000 – 22500 min ⁻¹
Ajuste rápido de profundidad	2-3/4" (70 mm)
Ajuste de precisión de profundidad	5/16" (8 mm)
Diámetro de fresa, máx.	2-7/16" (63 mm)
Alojamiento del eje de accionamiento	M 22x1
Peso	9.9 lbs (4.5 kg)
Clase de protección	□ / II

Símbolos



¡Aviso ante un peligro general!



¡Peligro de electrocución!



¡Leer las instrucciones e indicaciones!



¡Utilizar gafas de protección!

V Voltios

A Amperios

Hz Hertzios

~ Corriente alterna

n₀ Revoluciones por minuto en vacío

□ Clase II Construcción

min ⁻¹	
rpm	Revoluciones por minuto
∅	Diámetro

Descripción del funcionamiento

Las imágenes con la descripción de las funciones de la máquina se encuentran en una hoja desplegable al comienzo de este manual de instrucciones. Cuando lea este manual, le recomendamos que despliegue esta página para disponer fácilmente de una vista general de la máquina.

- 1.1 Regulador del número de revoluciones
- 1.2 Botón de bloqueo
- 1.3 Interruptor de conexión/desconexión
- 1.4 Escala
- 1.5 Dispositivo de bloqueo del husillo
- 1.6 Tope de revólver
- 1.7 Tuerca de la pinza

Use para los propósitos intencionados

Las fresadoras son adecuadas para fresar madera, plásticos y materiales similares a la madera. Se pueden usar para fresar aluminio y paneles de yeso recubiertos unilateralmente con cartón si se emplean las fresas adecuadas según se indica en la documentación de venta de Festool.

⚠ ADVERTENCIA Las herramientas eléctricas Festool sólo pueden integrarse en mesas de trabajo previstas por Festool para tal efecto. El montaje en mesas de trabajo diferentes o de confección propia puede mermar la seguridad de la herramienta eléctrica y provocar graves accidentes.

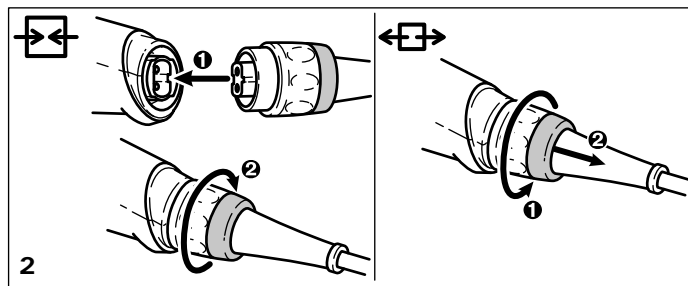
⚠ ADVERTENCIA El usuario se responsabiliza de los daños y accidentes debidos a un uso inadecuado.

Conexión eléctrica

La tensión de la red tiene que coincidir con lo indicado en la placa de características. Se requiere un fusible de 16 A (con 120 V), o un correspondiente disyuntor de protección.

Vea la figura siguiente para enchufar y desenchufar el cable de conexión.

⚠ ADVERTENCIA Apague siempre la máquina antes de conectar o sacar el cable de conexión a la red.



Cable de prolongación

Cuando se necesite un cable de prolongación, éste tiene que disponer de una sección suficiente a fin de evitar una excesiva caída de tensión o un sobrecalentamiento. Una excesiva caída de la tensión reduce la potencia y puede conducir a una destrucción del motor. En la tabla de abajo indica el diámetro de cable correcto para la fresadora OF 1400 EQ, a saber, en función de la longitud de cable. Emplear únicamente los cables de prolongación listados por U.L. y CSA. No emplear nunca dos cables de prolongación conectados el uno con el otro. En lugar de ello, emplear uno correspondientemente largo.

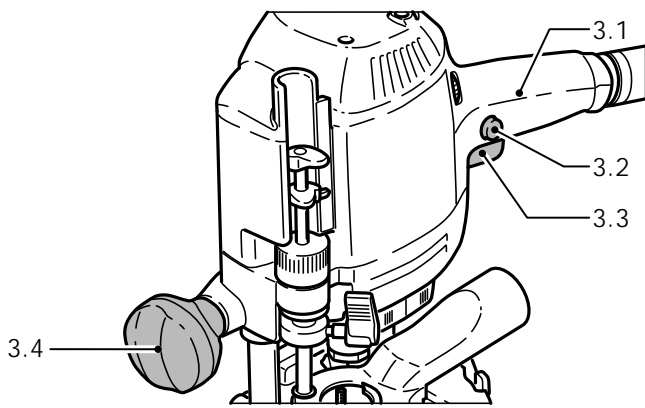
Longitud total del cable (pies)	25	50	100	150
Diámetro de cable (AWG)	16	14	12	10

Observación: Cuanto más bajo es el número AWG, tanto mayor es el diámetro del cable.

Conexión y desconexión de la máquina

⚠ ADVERTENCIA La máquina tiene que ser sujeta siempre con ambas manos por las empuñaduras (3.1, 3.4) durante la conexión y el uso.

El interruptor (3.3) sirve de interruptor de conexión/desconexión. Para el servicio continuado puede engatillarse con un botón de bloqueo lateral (3.2). Si se vuelve a pulsar el interruptor se suelta el bloqueo.



Velocidad constante:

La velocidad preseleccionada para el motor es mantenida constante electrónicamente. De este modo se consigue una velocidad de corte uniforme aún bajo carga.

⚠ADVERTENCIA No trabaje con la fresadora OF 1400 EQ si el sistema electrónico no funciona correctamente, pues se podría alcanzar una velocidad excesiva. Se reconoce que el sistema electrónico está averiado si falta el arranque suave, si la máquina es más ruidosa en marcha en vacío o si no es posible regular la velocidad.

⚠ADVERTENCIA Tras la desconexión de la máquina, la fresa continúa girando en inercia durante un momento. ¡Proceda con cuidado, para evitar que la fresa entre en contacto con alguna parte de su cuerpo mientras continúa girando en inercia!

Ajustes en la máquina

⚠ADVERTENCIA ¡Desenchufar siempre el enchufe de la fuente de alimentación, antes de proceder a cualquier tipo de ajustes en la sierra circular de mano, o antes de montar o desmontar cualquier tipo de accesorios!

Electrónica

La fresadora OF 1400 EQ dispone de un sistema electrónico de onda completa con las siguientes funciones:

Arranque suave:

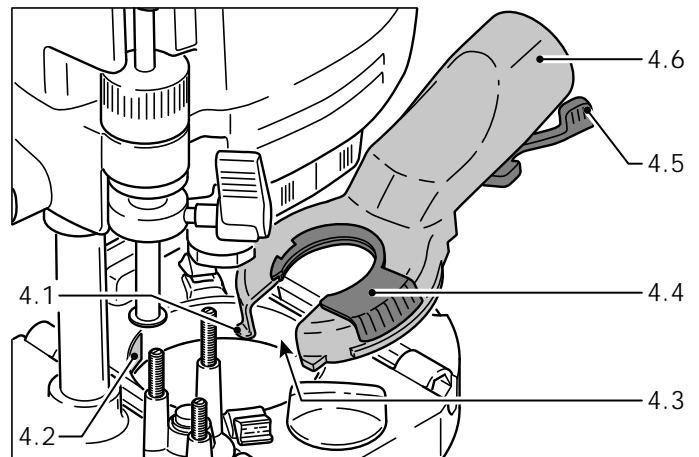
La regulación electrónica permite un arranque suave y sin sacudidas y necesita menos corriente para el arranque.

Regulación del número de revoluciones:

La velocidad del motor se puede regular de modo continuo entre 10000 y 22500 rpm con el regulador de velocidad (1.1). La tabla de abajo le facilita valores aproximados para poder trabajar con un nivel de potencia adecuado al material.

Material	Diámetro de la fresa			Material de la fresa
	3/8"	1"	1-1/2"	
	-	-	-	
	1"	1-1/2"	2-7/16"	
	10-25 mm	25-40 mm	40-63 mm	
Madera dura	6-4	5-3	3-1	HW/HSS
Madera blanca	6-5	6-4	5-3	HSS/HW
Tableros	6-5	6-4	4-2	HW
Plástico	6-4	6-3	3-1	HW
Aluminio	3-1	3-1	2-1	HSS/HW
Cartón de yeso	2-1	1	1	HW

Aspiración

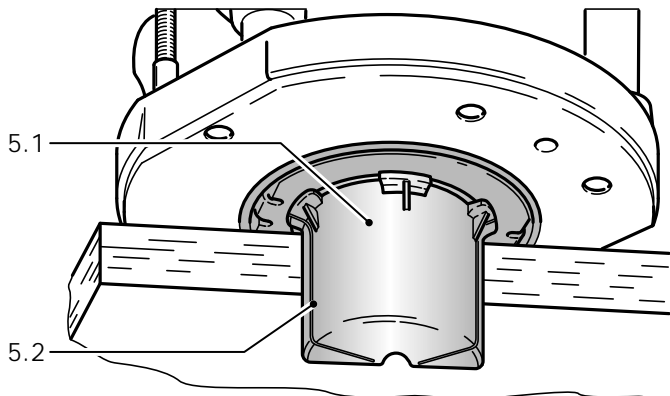


Las virutas producidas al fresar se pueden aspirar mediante la caperuza de aspiración. El plástico transparente posibilita una vista libre a la herramienta para fresar. Se puede conectar un aparato de aspiración Festool en los racores de aspiración (4.6) con un diámetro de tubo de 36 mm o 27 mm. Debido al reducido peligro de obstrucción recomendamos 36 mm.

— Monte la caperuza de aspiración en la mesa de fresar insertando primero la caperuza con los dos tacos (4.1) en las entalladuras (4.2) de la mesa, luego coloque la caperuza de aspiración y mueva la palanca (4.5). Para que sea posible montar y desmontar la caperuza de aspiración con la fresa montada, se puede abrir la entalladura (4.3) de la caperuza de aspiración enroscando el segmento (4.4). Para lograr una aspiración óptima, la entalladura debe estar cerrada con un segmento rotatorio durante el proceso de trabajo.

⚠PRECAUCION Esta caperuza de aspiración se puede utilizar solamente para fresas hasta el diámetro de 1-1/8" (28 mm).

Colector de virutas KSF-OF



Mediante el colector de virutas KSF-OF (5.1) (parcialmente en el suministro) se puede aumentar la efectividad de la aspiración al fresar cantos.

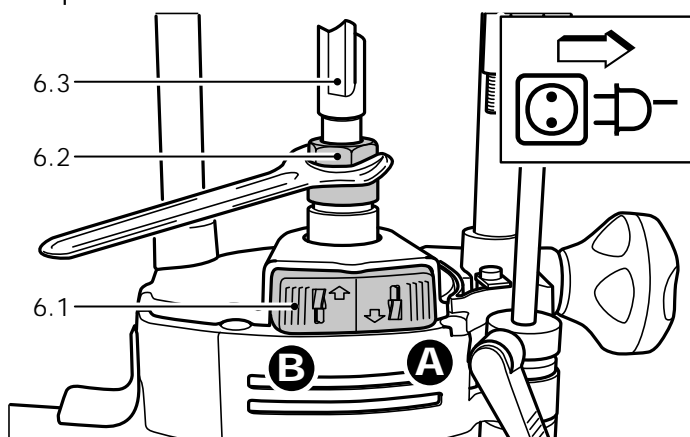
El montaje se realiza de forma similar al anillo copiador (fig. 12).

La caperuza se puede recortar con una sierra de arco a lo largo de las ranuras (5.2) reduciendo de este modo el tamaño. El colector de virutas se puede utilizar entonces en radios interiores hasta un mínimo de 1-1/2" (40 mm).

Fresas

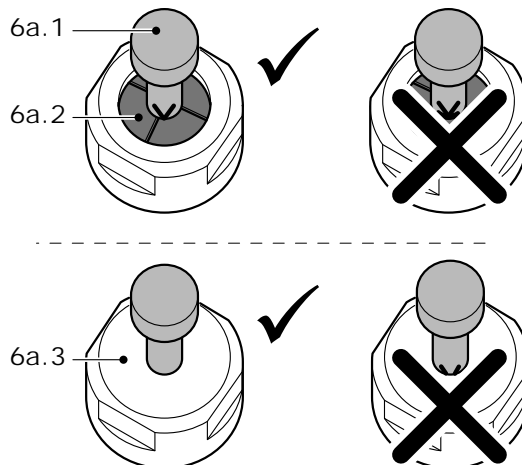
⚠ ADVERTENCIA No se puede superar la velocidad máxima indicada en la herramienta, o, lo que es lo mismo, la velocidad tiene que mantenerse en el margen tolerado. No se deben usar las fresas agrietadas o deformadas.

Para el cambio de herramienta puede colocar la máquina en la cabeza.



Insertar la herramienta

- Inserte la fresa (6.3/6a.1) hasta donde le sea posible, al menos hasta la marca ∇ en el vástago de la fresa en la pinza abierta (6a.2). Si no se ve la pinza debido a la tuerca de racor (6a.3), deberá introducirse la fresadora en la pinza como mínimo hasta que la marca ∇ no sobresalga de la tuerca de racor.



- Pulse el interruptor (6.1) para el bloqueo del husillo en lado derecho (A).
- Apriete la tuerca (6.2) con una llave de horquilla de ancho 24.

Retirar la herramienta

- Pulse el interruptor (6.1) para el bloqueo del husillo en el lado izquierdo (B).
- Abra con una llave de horquilla (SW 24) la tuerca (6.2) hasta que pueda extraer la herramienta.

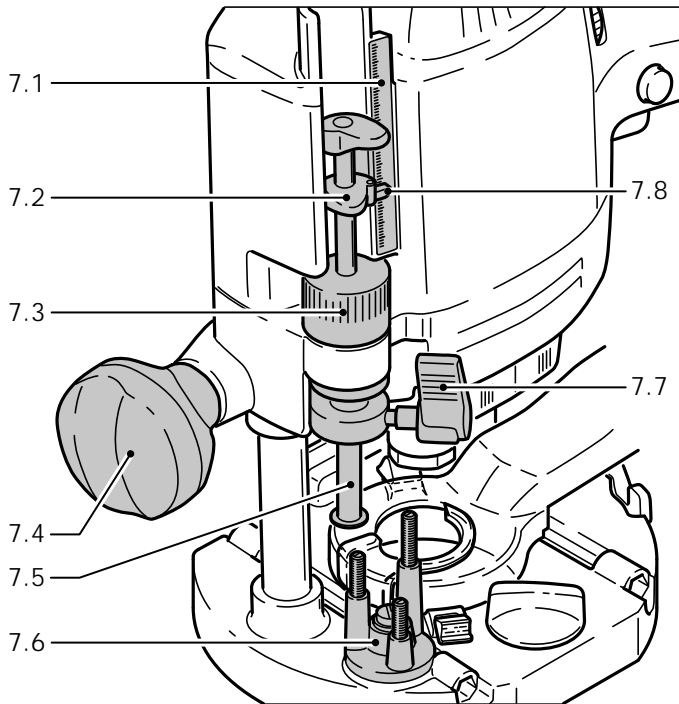
Nota: el bloqueo del husillo bloquea el husillo de motor respectivo sólo en una dirección de giro. Por este motivo, no es necesario depositar la llave de tornillos al abrir y cerrar la tuerca, de lo contrario podría moverse de un lado a otro como una chicharra.

Cambiar el mandril

- Pulse el interruptor (6.1) para el bloqueo del husillo en el lado izquierdo. Desatornille la tuerca (6.2) completamente y sáquela, junto con el mandril, del husillo.
- Pulse el interruptor (6.1) para el bloqueo del husillo en lado derecho. Ponga un nuevo mandril con tuerca en el husillo y apriete la tuerca ligeramente. No apriete bien la tuerca mientras no haya metido ninguna fresa.

Ajustar la profundidad de fresado

La profundidad de fresado se ajusta en tres pasos:



a) Ponerla en cero

- Abra la palanca de sujeción de modo que el tope de profundidad (7.5) se pueda mover libremente.
- Ponga la fresadora con la base de fresado (7.7) sobre una superficie plana. Abra la ruedecilla (7.4) y empuje la máquina hacia abajo hasta que la fresa descansa sobre la superficie. Fije bien la máquina en esta posición cerrando la ruedecilla (7.4).
- Apriete el tope de profundidad contra uno de los tres tope fijos del tope de revólver (7.6).
- Con un destornillador puede ajustar individualmente cada tope fijo.

Tope fijo	altura min.	altura máx.
A	1-13/16" (47 mm)	2-5/16" 60 mm
B	2-1/16" (53 mm)	2-7/8" 74 mm
C	2-5/16" 60 mm	3-3/8" 86 mm

- Desplace el indicador (7.2) hacia abajo, de modo que indique 0" en la escala (7.1).

Si la posición cero no es correcta, puede corregirse con el tornillo (7.8) en el indicador.

b) Preajustar la profundidad de fresado

Se puede preajustar la profundidad de fresado con el ajuste rápido o con el ajuste de precisión.

Ajuste rápido de la profundidad de fresado:

- Tire del tope de profundidad (7.5) hacia arriba hasta que el indicador señale la profundidad de fresado deseada. Fije el tope de profundidad en esta posición con la palanca de sujeción (7.7).

Ajuste de precisión de la profundidad de fresado:

- Fije el tope de profundidad con la palanca de sujeción (7.7). Ajuste la profundidad de fresado deseada girando la rueda de ajuste (7.3). Al girar la rueda una marca, la profundidad varía 0.004" (0,1 mm). Un giro completo supone ~1/16" (1 mm). El margen máximo de ajuste de la rueda es 5/16" (8 mm).

c) Terminar el ajuste de la profundidad de fresado

- Abra la ruedecilla (7.4) y apriete la máquina hacia abajo hasta que el tope de profundidad toque al tope fijo.
- Fije la máquina en esta posición cerrando el botón giratorio (7.4).

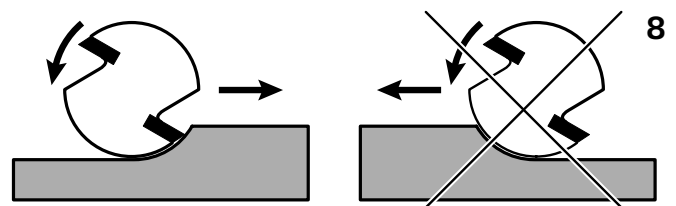
Trabajando con la fresadora

⚠ADVERTENCIA Fije la pieza de trabajo siempre de forma que no se pueda mover cuando se trabaje con ella.

⚠ADVERTENCIA La máquina deberá sujetarse siempre con ambas manos en las empuñaduras previstas para ello.

⚠ADVERTENCIA Conecte primero la fresadora antes de tocar la pieza con la fresa.

⚠ADVERTENCIA Trabaje siempre de modo que la dirección de avance de la fresa sea igual a la dirección de corte de la fresa (fresado en sentido contrario).



Apoyo de las piezas

⚠ADVERTENCIA Facilite en todo momento un apoyo seguro de sus piezas, y que no se puedan mover durante el aserrado. En caso contrario existe un gran peligro de accidentes. Emplee prensas de tornillo u otros dispositivos apropiados para la fijación de su pieza.

Fresado metal (Aluminio)

⚠ ADVERTENCIA Al trabajar con aluminio deberá tener presente las siguientes medidas por motivos de seguridad:

- Agregar un interruptor de corriente de defecto (FI).
- Conectar la máquina a un aparato de aspiración apropiado.
- Limpieza periódica en la máquina para eliminar las aglomeraciones de polvo en el cárter del motor.
- Usar gafas de protección.

Fresado a pulso

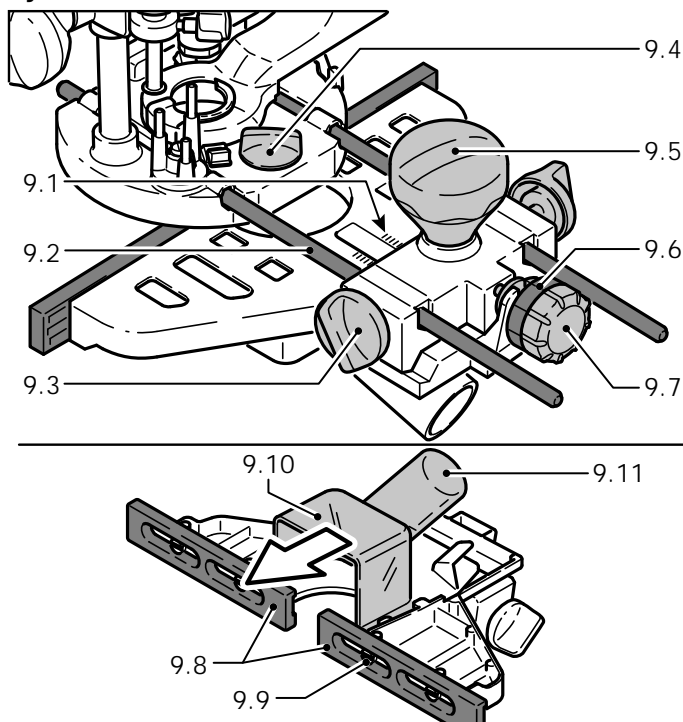
Principalmente al fresar letras o figuras o al fresar cantos empleando fresas con anillo copiador o esiga de guía se guía la fresadora a pulso.

Fresado con tope lateral

Para los trabajos paralelos al canto de la pieza se puede emplear el tope lateral (accesorio) adjunto.

- Fije las dos barras guía (9.2) con los dos botones giratorios (9.3) en el tope lateral.
- Introduzca las barras guía hasta la medida deseada en las ranuras de la mesa de fresar y fíjelas con el botón giratorio (9.4).

Ajuste fino:



- Abra el botón giratorio (9.5) para efectuar un ajuste fino con la rueda de ajuste (9.7). El anillo graduado (9.6) tiene una escala de 0,1 mm. Si se sujeta la rueda de ajuste, el anillo graduado

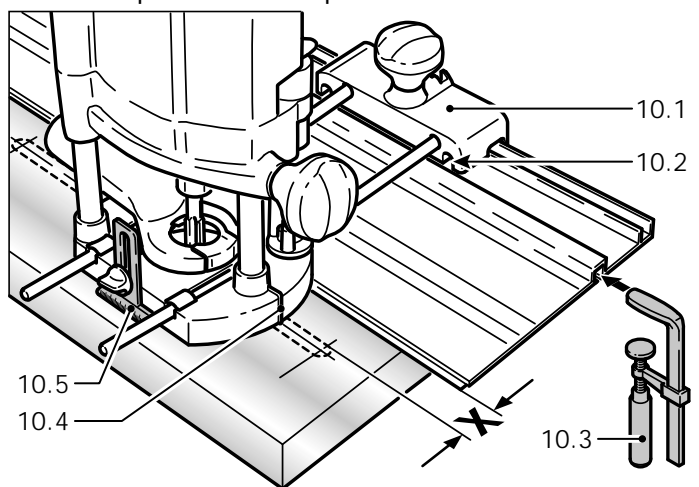
puede girarse para situarlo en la posición „Cero“. En caso de unos ajustes mayores, la escala milimétrica (9.1) junto al cuerpo base puede ser de ayuda. Cierre nuevamente el botón giratorio (9.5) una vez efectuado satisfactoriamente el ajuste fino.

- Ajuste las dos mordazas de guía (9.8) de tal modo que su distancia respecto a la fresa sea de aprox. 7/32" (5 mm). Para ello, deberán abrirse los tornillos (9.9) y volverse a apretar tras efectuar con éxito el ajuste.
- Desplace la caperuza de aspiración (9.10) desde atrás hasta enclavarla en el tope lateral. En los racores de aspiración (9.11) puede conectarse un tubo flexible de aspiración con un diámetro de 27 mm o 36 mm.

Fresado con sistema de guía FS

Este sistema de guía suministrable (accesorio) especial facilita el fresado de ranuras rectas.

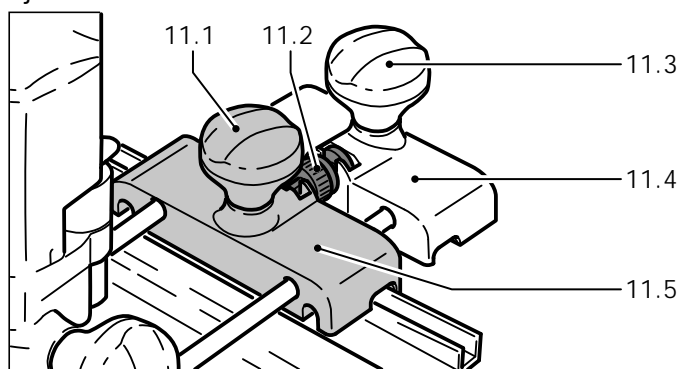
- Fije el tope de guía (10.1) con garras metálicas en la base de fresado.
- Fije la guía con sargentos (10.3) en la pieza de trabajo. Asegúrese de que hay una distancia de seguridad X de 7/32" (5 mm) entre el lado delantero de la guía y la fresa o ranura.
- Ponga el tope de guía, así como se muestra en la figura 10, en la guía. Para garantizar una guía sin holgura del tope de fresado, empleando un destornillador puede ajustar dos zapatas de guía a través de los dos orificios (10.2).
- Meta el apoyo (10.5) regulable en altura en el agujero roscado (de la base de la fresadora, de modo que la parte inferior de la base sea paralela a la superficie de la pieza.



Para poder trabajar con un patrón, la marca en la base de la fresadora (10.4) y la escala del apoyo (10.5) le indican el eje medio de la fresa.

Ajuste fino

Con el ajuste fino (accesorios) la distancia X (fig. 12) de la fresa respecto al riel de la guía se puede ajustar suavemente.



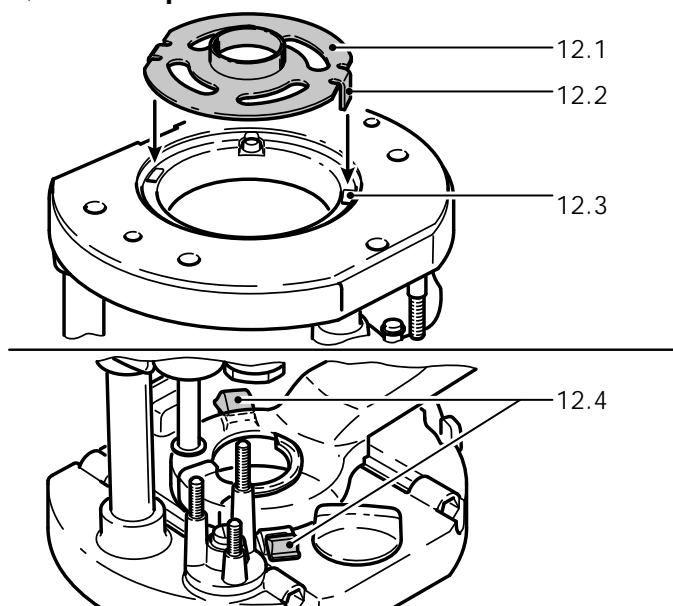
- Coloque el ajuste fino (11.5) entre la fresadora y el tope de guía (11.4) en las barras de guía.
- Coloque la rueda de ajuste (11.2) para el ajuste fino en las entalladuras del ajuste fino y del tope de guía y apriete la rosca de la rueda de ajuste aproximadamente hasta la mitad de la tuerca del ajuste fino.
- Para hacer el ajuste, cierre el botón giratorio (11.3) del ajuste fino y abra el botón giratorio (11.1) del tope de guía.
- Tras haber efectuado satisfactoriamente el ajuste, cierre el botón giratorio (11.1) del tope de guía.

Fresar copiando

Para reproducir con exactitud las piezas existentes se emplea un anillo copiador o un sistema copiador (como accesorios especiales en ambos casos).

- ▶ Viene con el plato adaptador para guías plantilla imperiales incluidos.

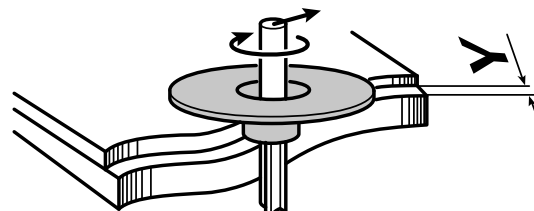
a) Anillo copiador



- Sujete el anillo copiador (12.1) en la mesa de fresar insertando ambos tacos (12.2) en las entalladuras (12.3).
- Para aflojar el anillo copiador, mantener pulsadas ambas teclas (12.4) simultáneamente.

⚠ PRECAUCION A la hora de elegir el tamaño del anillo copiador asegúrese de que la fresa puesta pasa por su abertura.

El sobrante Y de la pieza respecto al patrón se calcula del siguiente modo:

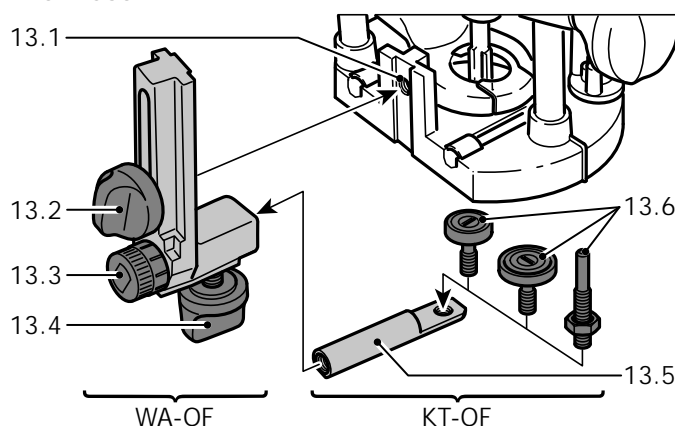


$$Y = 1/2 (\text{Ø de anillo copiador} - \text{Ø de fresa})$$

b) Sistema copiador

Para el sistema copiador se precisa el brazo angular WA-OF y el set de copiar KT-OF, consistente en una sujeción de rodillo (13.5) y tres rodillos copidores (13.6).

- Atornille bien el brazo angular con la ruedecilla (13.2) a la altura deseada en el agujero roscado (13.1) de la base de la fresadora.
- Monte un rodillo copiador en la sujeción de rodillo y sujételo bien al brazo angular girando la ruedecilla (13.4). Asegúrese de que el rodillo copiador y la fresa tienen el mismo diámetro.
- Girando la rueda de ajuste (13.3) se puede regular la distancia del rodillo copiador al eje de la fresa.



Mantenimiento y limpieza

⚠ ADVERTENCIA Todos los trabajos de mantenimiento y de reparación que requieran una abertura de la carcasa del motor o del mecanismo de transmisión, solamente deben ser llevados a cabo por un taller de servicio de asistencia técnica autori-

zado (su concesionario le facilitará la información adecuada)! Un mantenimiento o reparación de la máquina por personas no autorizadas puede ser la causa de una conexión errónea de los cables conductores de corriente eléctrica o de otros componentes, lo cual puede ser la causa de accidentes con lesiones graves.

⚠ADVERTENCIA ¡A fin de evitar accidentes, antes de proceder a todo tipo de trabajos de mantenimiento o de reparación en la máquina se tiene que desenchufar el enchufe de la fuente de alimentación de corriente! ¡No emplear aire comprimido para limpiar la herramienta eléctrica! No intente nunca limpiar piezas en el interior de la máquina introduciendo algún objeto a través de las aberturas de la carcasa de la máquina.

⚠PRECAUCION Algunos detergentes y disolventes pueden dañar los componentes de material sintético. Entre éstos se encuentran: Bencina, carbonilcloruro, soluciones detergentes de contenido de cloro, amoníaco, así como detergentes de uso doméstico amónicos. A fin de garantizar la circulación del aire, las aberturas para el aire de refrigeración en la carcasa del motor tienen que ser mantenidas continuamente libres y limpias.

El aparato está equipado con escobillas especiales de autodesconexión. Al desgastarse, se efectúa una interrupción automática de la corriente y la máquina se para. En este caso, el aparato deberá ser llevado a un taller de servicio de asistencia técnica autorizado, donde se cambiarán las escobillas.



El **Servicio de atención al cliente y reparaciones** solo está disponible por parte del fabricante o de los talleres de reparación: encuentre la dirección más próxima a usted en:

www.festoolusa.com/service



Utilice únicamente **piezas de recambio Festool** originales. Referencia en:

www.festoolusa.com/service

Accesorios, herramientas

⚠ADVERTENCIA ¡Por razones de seguridad, solamente deben emplearse accesorios y herramientas originales de Festool!

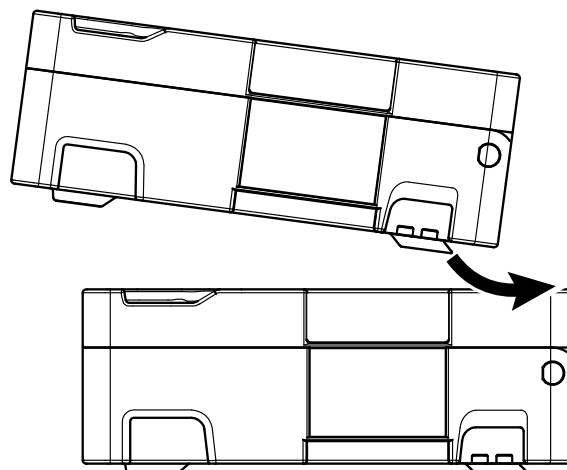
Festool ofrece gran número de accesorios para sus fresadoras, por ej. para fresar conglomerado de madera, para perforar orificios en línea o para un uso estacionario de la fresadora.

Los números de pedido para los respectivos accesorios y herramientas se encuentran en su catálogo Festool o en la dirección de Internet www.festoolusa.com.

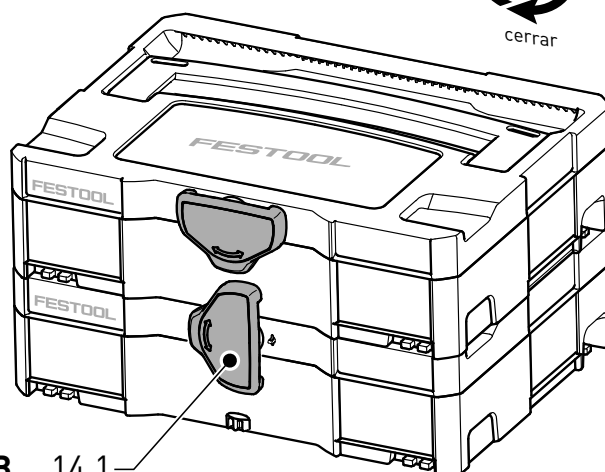
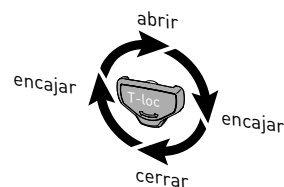
Systainer

Muchos de los productos Festool se entregan en un embalaje exclusivo denominado "Systainer" que sirve de protección a la herramienta y sus complementos, además de facilitar su almacenamiento. Los Systainer pueden apilarse y encajan unos con otros. Además se adaptan sin problema a cualquier aparato de aspiración CT de Festool.



14




A



B 14.1

- Para abrir el Systainer:
 - Gire el T-loc [14.1] a la posición .
- Para cerrar el Systainer:
 - Gire el T-loc [14.1] a la posición .
- Para encajar dos Systainer:
 - Ponga el Systainer sobre un otro (Fig. 14 A).

- Gire el T-loc [14.1] a la posición  (Fig. 14 B).

Los Systainers están encajados y cerrados.

- ▶ Un Systainer de la nueva generación es encajable encima de un Systainer de la generación anterior con los cuatro enganches del Systainer anterior.

