

## Instruction manual - Orbital sander

Page 6

**IMPORTANT:** Read all instructions before using.

## Guide d'utilisation - Ponceuse vibrante

Page 17

**IMPORTANT:** Lire toutes les instructions avant de démarrer les travaux.

## Manual de instrucciones - Lijadora orbital

Página 30

**IMPORTANTE:** Lea todas las instrucciones antes de usar.

Instruction manual  
Guide d'utilisation  
Manual de instrucciones

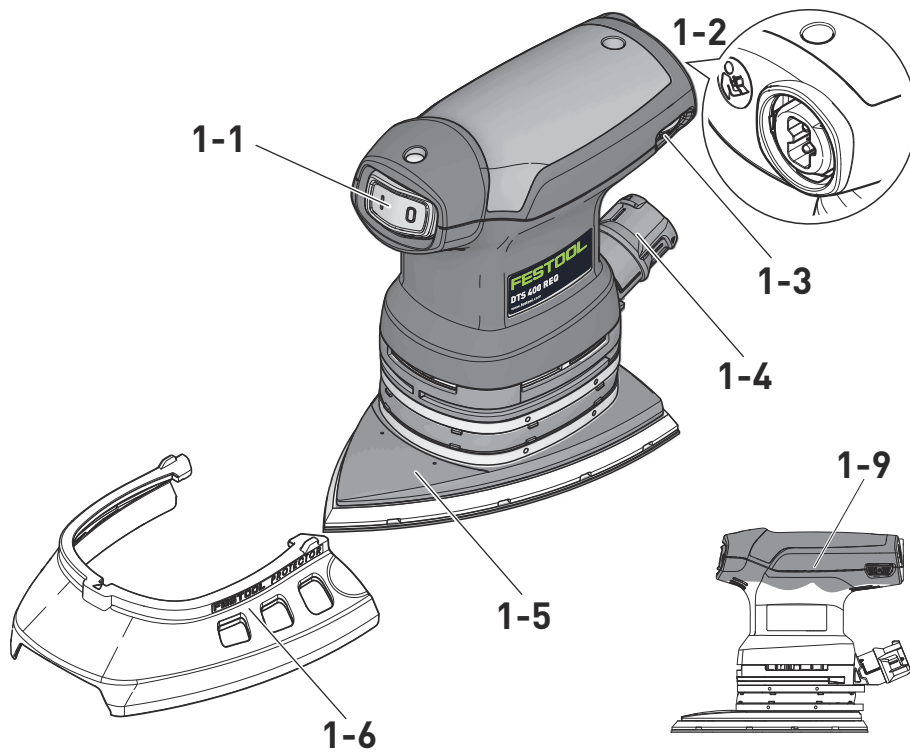
**RTS 400 REQ**  
**DTS 400 REQ**



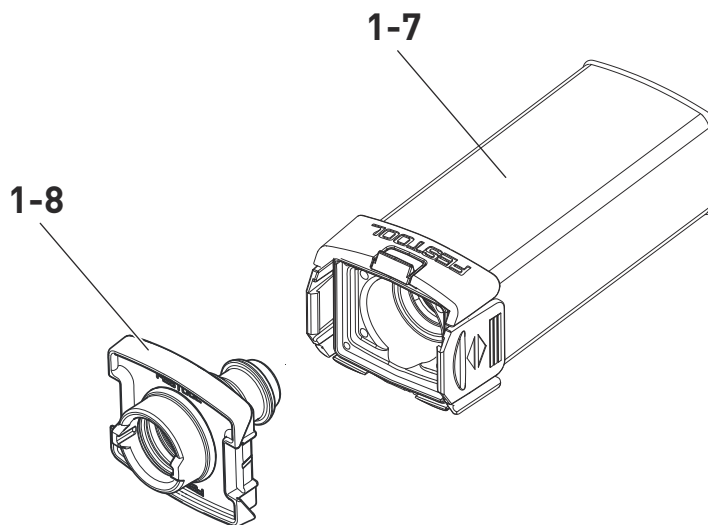
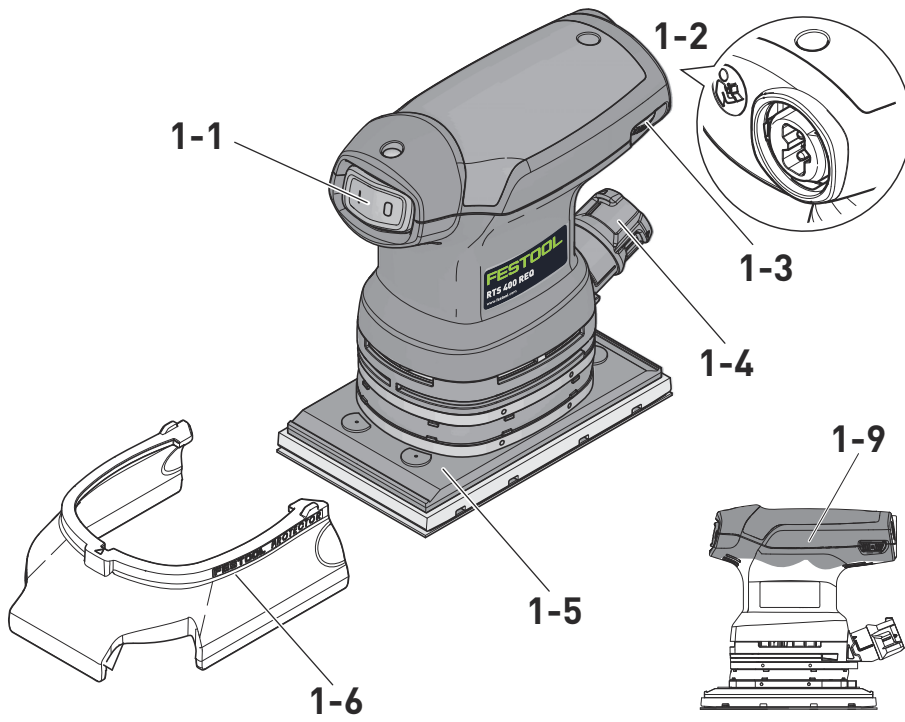




# DTS 400 REQ



# RTS 400 REQ



## Original operating manual

About this manual.....	6	Settings .....	11
Symbols.....	7	Electronics .....	11
Safety instructions .....	8	Changing sanding pad [3] .....	12
General safety instructions.....	8	Attaching sanding accessories using Stick-Fix [4] .....	12
Machine-related safety instructions....	9	Dust extraction.....	13
Health hazard by dust .....	9	Edge protector [6] .....	14
Intended use.....	10	Working with the machine.....	14
Technical data .....	10	Service and maintenance .....	15
Functional description .....	10	Accessories.....	16
Commissioning .....	11	Environment.....	16




---



## About this manual

---

### Save these instructions

It is important for you to read and understand this manual. The information it contains relates to protecting **your safety** and **preventing problems**. The symbols below are used to help you recognize this information.

	<b>DANGER</b>	Description of imminent hazard and failure to avoid hazard will result in death.
	<b>WARNING</b>	Description of hazard and possible resulting injuries or death.
	<b>CAUTION</b>	Description of hazard and possible resulting injuries.


	<b>NOTICE</b>	Statement including nature of hazard and possible result.
	<b>HINT</b>	Indicates information, notes, or tips for improving your success using the tool.

## Symbols

### Symbol Significance

	Warning of general danger
	Risk of electric shock
	Read operating instructions and safety notices!
	Wear ear protection.
	Wear a dust mask.
	Wear protective goggles.
	Do not dispose of as domestic waste.
	Tip or advice
	Handling instruction

### Symbol Significance

	Safety class II
V	volts
A	amperes
Hz	hertz
~ a.c.	alternating current
≡ d.c.	direct current
$n_0$	no load speed
rpm	revolutions per minute
$\text{min}^{-1}$	revolutions per minute
"	inch
lbs	pound
$\varnothing$	diameter
$^{\circ}\text{C}$	degree centigrade
$^{\circ}\text{F}$	degree Fahrenheit
Nm	Newton metre
mm	millimetre
Ah	amps hour

---

## Safety instructions

---

### General safety instructions



**WARNING** Read all safety warnings, instructions, illustrations and specifications provided with this power tool. Failure to follow all instructions listed below may result in electric shock, fire and/or serious injury.

Save all warnings and instructions for future reference.

The term "power tool" in the warnings refers to your mains-operated (corded) power tool or battery-operated (cordless) power tool.

#### 1 WORK AREA SAFETY

- a. **Keep work area clean and well lit.** Cluttered or dark areas invite accidents.
- b. **Do not operate power tools in explosive atmospheres, such as in the presence of flammable liquids, gases or dust.** Power tools create sparks which may ignite the dust or fumes.
- c. **Keep children and bystanders away while operating a power tool.** Distractions can cause you to lose control.
- d. **Never leave the power tool unattended.** Only leave the power tool when the tool in use has come to a complete standstill.

#### 2 ELECTRICAL SAFETY

- a. **Power tool plugs must match the outlet. Never modify the plug in any way. Do not use any adapter plugs with earthed (grounded) power tools.** Unmodified plugs and matching outlets will reduce risk of electric shock.
- b. **Avoid body contact with earthed or grounded surfaces, such as pipes, radiators, ranges and refrigerators.** There is an increased risk of electric shock if your body is earthed or grounded.
- c. **Do not expose power tools to rain or wet conditions.** Water entering a power tool will increase the risk of electric shock.
- d. **Do not abuse the cord. Never use the cord for carrying, pulling or unplugging the power tool. Keep cord away from heat, oil, sharp edges or moving parts.** Damaged or entangled cords increase the risk of electric shock.
- e. **When operating a power tool outdoors, use an extension cord suitable for outdoor use.** Use of a cord suitable for outdoor use reduces the risk of electric shock.

- f. **If operating a power tool in a damp location is unavoidable, use a residual current device (RCD) protected supply.** Use of an RCD reduces the risk of electric shock.

#### 3 PERSONAL SAFETY

- a. **Stay alert, watch what you are doing and use common sense when operating a power tool. Do not use a power tool while you are tired or under the influence of drugs, alcohol or medication.** A moment of inattention while operating power tools may result in serious personal injury.
- b. **Use personal protective equipment. Always wear eye protection.** Protective equipment such as a dust mask, non-skid safety shoes, hard hat or hearing protection used for appropriate conditions will reduce personal injuries.
- c. **Prevent unintentional starting. Ensure the switch is in the off-position before connecting to power source and/or battery pack, picking up or carrying the tool.** Carrying power tools with your finger on the switch or energising power tools that have the switch on invites accidents.
- d. **Remove any adjusting key or wrench before turning the power tool on.** A wrench or a key left attached to a rotating part of the power tool may result in personal injury.
- e. **Do not overreach. Keep proper footing and balance at all times.** This enables better control of the power tool in unexpected situations.
- f. **Dress properly. Do not wear loose clothing or jewellery. Keep your hair and clothing away from moving parts.** Loose clothes, jewellery or long hair can be caught in moving parts.
- g. **If devices are provided for the connection of dust extraction and collection facilities, ensure these are connected and properly used.** Use of dust collection can reduce dust-related hazards.
- h. **Do not let familiarity gained from frequent use of tools allow you to become complacent and ignore tool safety principles.** A careless action can cause severe injury within a fraction of a second.

#### 4 POWER TOOL USE AND CARE

- a. **Do not force the power tool. Use the correct power tool for your application.** The correct power tool will do the job better and safer at the rate for which it was designed.
- b. **Do not use the power tool if the switch does not turn it on and off.** Any power tool that cannot be



controlled with the switch is dangerous and must be repaired.

- c. **Disconnect the plug from the power source and/or remove the battery pack, if detachable, from the power tool before making any adjustments, changing accessories, or storing power tools.**

Such preventive safety measures reduce the risk of starting the power tool accidentally.

- d. **Store idle power tools out of the reach of children and do not allow persons unfamiliar with the power tool or these instructions to operate the power tool.** Power tools are dangerous in the hands of untrained users.

- e. **Maintain power tools and accessories. Check for misalignment or binding of moving parts, breakage of parts and any other condition that may affect the power tool's operation. If damaged, have the power tool repaired before use.** Many accidents are caused by poorly maintained power tools.

- f. **Keep cutting tools sharp and clean.** Properly maintained cutting tools with sharp cutting edges are less likely to bind and are easier to control.

- g. **Use the power tool, accessories and tool bits etc. in accordance with these instructions, taking into account the working conditions and the work to be performed.** Use of the power tool for operations different from those intended could result in a hazardous situation.

- h. **Keep handles and grasping surfaces dry, clean and free from oil and grease.** Slippery handles and grasping surfaces do not allow for safe handling and control of the tool in unexpected situations.

## 5 SERVICE

- a. **Have your power tool serviced by a qualified repair person using only identical replacement parts.** This will ensure that the safety of the power tool is maintained.

- b. **Only use original Festool parts for repair and maintenance.** The use of incompatible accessories or spare parts can result in electric shocks or other injuries.

### Machine-related safety instructions

- **Dust that is harmful to your health may be produced as you work (e.g. paint products containing lead and some types of wood).** Contact with or inhalation of this dust may pose a risk for the operating personnel or persons in the vicinity. Observe the safety regulations that apply in your country.



Wear a P2 respiratory mask to protect your health. In enclosed spaces, ensure that

there is sufficient ventilation and connect an extraction system.



Always wear protective goggles to protect against sanding hazards.

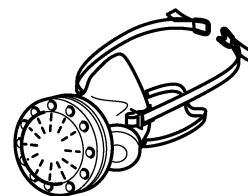
- **Clean work equipment soaked in oils, for example sanding pad or polishing felt, with water and allow to dry.** Work equipment soaked in oil may combust spontaneously.
- **Attention: Risk of fire! Avoid overheating the grinding material and the sander. Always empty the dust container before taking a break.** Swarf in the filter bag or filter of the mobile dust extractor may self-ignite in unfavourable conditions such as flying sparks when grinding metals. Particular danger exists if the swarf is mixed with paint, polyurethane residue or other chemical materials and the grinding material is hot after long periods of work.
- **If the power tool is dropped or falls, check for damage to the machine and sanding pad. Remove the sanding pad for closer inspection. Have the damaged parts repaired before use.** Broken sanding pads and damaged machines can cause injuries and machine instability.
- **Always use original Festool sanding pads.**

### Health hazard by dust



**WARNING!** Various dust created by power sanding, sawing, grinding, drilling and other construction activities contains chemicals known (to the State of California) to cause cancer, birth defects or other reproductive harm. Some examples of these chemicals are:

- lead from lead-based paints,
- crystalline silica from bricks and cement and other masonry products, and
- arsenic and chromium from chemically treated lumber.



The risk from these exposures varies, depending on how often you do this type of work. To reduce your exposure to these chemicals: work in a well ventilated area, and work with approved safety equipment, such as dust masks that are specially designed to filter out microscopic particles. Wash hands after handling.



### WARNING

**TO REDUCE THE RISK OF INJURY, USER MUST READ INSTRUCTION MANUAL.**

---

## Intended use

---

The sanders are designed for sanding wood, plastic, stone, composites, paint/varnish, filler and similar materials as directed. Metals and materials that contain asbestos must not be processed.

To guarantee electrical safety, the machine must

not be damp or operated in a damp environment. The machine must only be used for dry sanding.



The user is liable for improper or non-intended use.

---

## Technical data

---

Orbital sander	DTS 400 REQ	RTS 400 REQ
Power	250 W	250 W
No-load speed	6000 - 12000 min <sup>-1</sup>	6000 - 12000 min <sup>-1</sup>
Max. speed <sup>1</sup>	16000 min <sup>-1</sup>	16000 min <sup>-1</sup>
Sanding stroke	5/64" (2.0 mm)	5/64" (2.0 mm)
Sanding pad	4"x 6" (100 x 150 mm)	3-5/32" x 5-1/4" (80 x 130 mm)
Weight (without mains cable, with sanding pad)	2.6 lbs (1.2 kg)	2.6 lbs (1.2 kg)

<sup>1</sup> Max. speed in the event of faulty electronics.

---

## Functional description

---

The pictures for the functional description are on a fold-out page at the beginning of the instruction manual. While reading the manual you can fold out the page for comparison and quick reference.

- [1-1]** On/Off switch
- [1-2]** Plug it-connection
- [1-3]** Speed control
- [1-4]** Extractor connector

- [1-5]** Sanding pad
- [1-6]** Protector
- [1-7]** Long-life dust bag
- [1-8]** Dust bag adapter
- [1-9]** Handle (insulated gripping surface)

Accessories shown or described are sometimes not included in the scope of delivery.

## Commissioning



### WARNING

#### Unauthorised voltage or frequency!

##### Risk of accident

- ▶ The mains voltage and the frequency of the power source must correspond with the specifications on the machine's name plate.
- ▶ In North America, only Festool machines with the voltage specifications 120 V/60 Hz may be used.



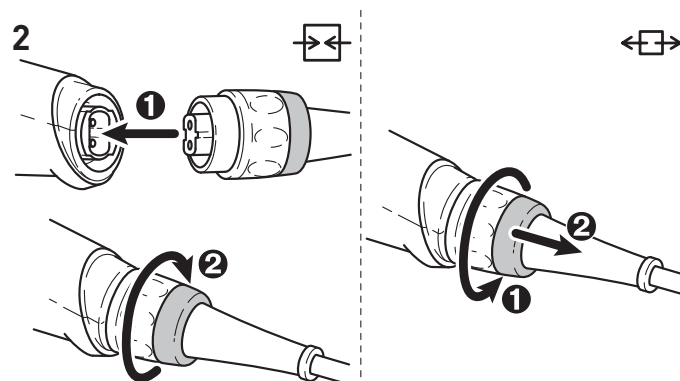
### CAUTION

#### Heating of the Plug it connection if bayonet fitting is not completely locked

##### Risk of burns

- ▶ Before switching on the power tool, make sure that the bayonet fitting at the mains cable is closed fully and locked.

Connecting and detaching the mains power cable - see Fig. [2].



The switch [1-1] is an on/off switch (I = ON, 0 = OFF).

- ⓘ In case of a power failure or if the mains connector is removed, move the on/off switch immediately to the Off position. This prevents uncontrolled restarting.

## Settings



### WARNING

#### Risk of injury, electric shock

- ▶ Always pull the mains plug out of the socket before performing any type of work on the machine!

### Electronics

#### Smooth start-up

The electronically controlled smooth start-up ensures that the machine starts up jolt-free.

#### Constant speed

The preselected motor speed is kept constant through electronic control. This means that, if the


machine is used as intended (reasonable contact pressure), a constant sanding speed is achieved.

#### Setting and adjusting the speed

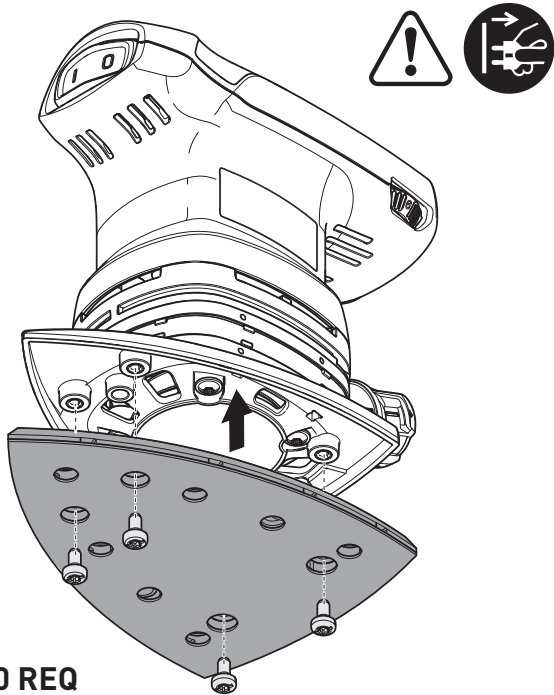
The speed can be set [1-3] between 6000 and 12000 min<sup>-1</sup> using the adjusting wheel.

This enables you to optimise the sanding speed to suit the material (see chapter Working with the machine).

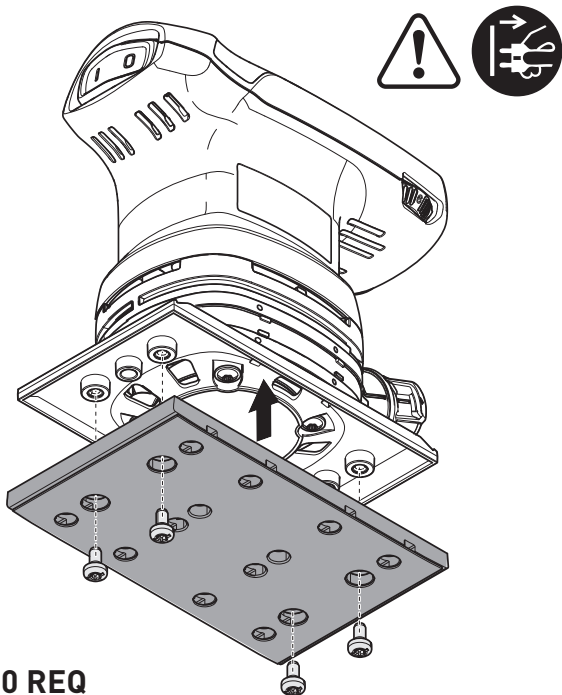
### Changing sanding pad [3]

 An optimal work result can only be achieved using original accessories and consumables. The use of non-original accessories or consumables invalidates the right to claim under warranty.

3



3



If the StickFix coating on the sanding pad has worn out, the entire sanding pad can be replaced:

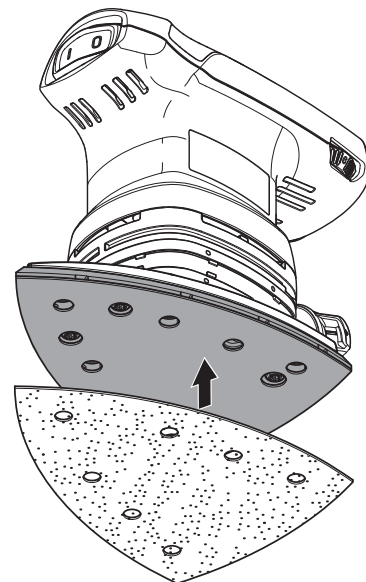
- 1 Undo the four screws.
- 2 Remove the sanding pad by pulling it downwards.
- 3 Attach the new sanding pad.
- 4 Use four screws to tighten it by hand (2.5 Nm).

### Attaching sanding accessories using Stick-Fix [4]

The suitable StickFix sandpaper and StickFix sanding cloth can be attached quickly and simply to the StickFix sanding pad.

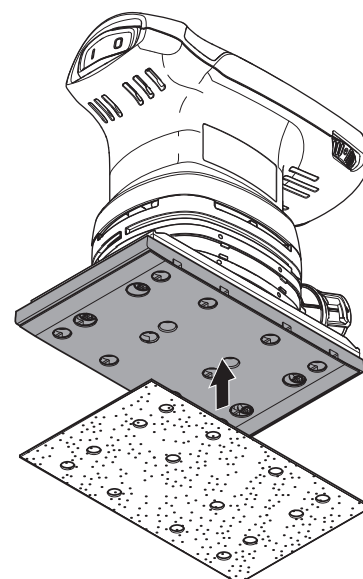
- Affix the self-adhesive sanding accessory to the sanding pad.

4



DTS 400 REQ

4



## Dust extraction



### WARNING

#### Dust hazard

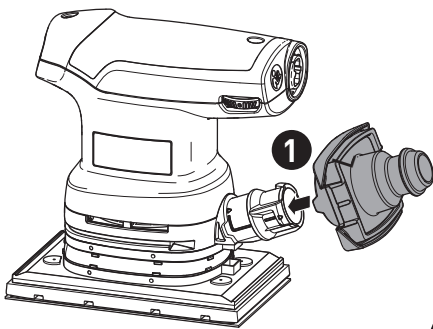
- ▶ Dust can be hazardous to health. Always work with a dust extractor.
- ▶ Always read applicable national regulations before extracting hazardous dust.

#### Integral dust extractor with long-life dust bag

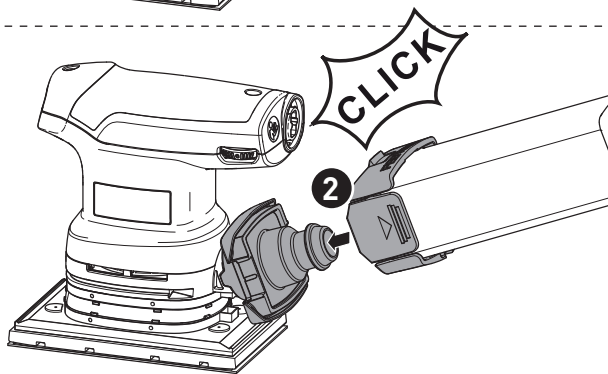
As standard, the sanders are equipped with an integral dust extractor. The sanding dust is extracted through extraction openings in the sanding pad and is collected in the dust bag.

#### Installing the dust bag [5]

- 1 Slide the dust bag adapter onto the extractor connection piece.
- 2 Slide the dust bag onto the adapter until it clicks into place.

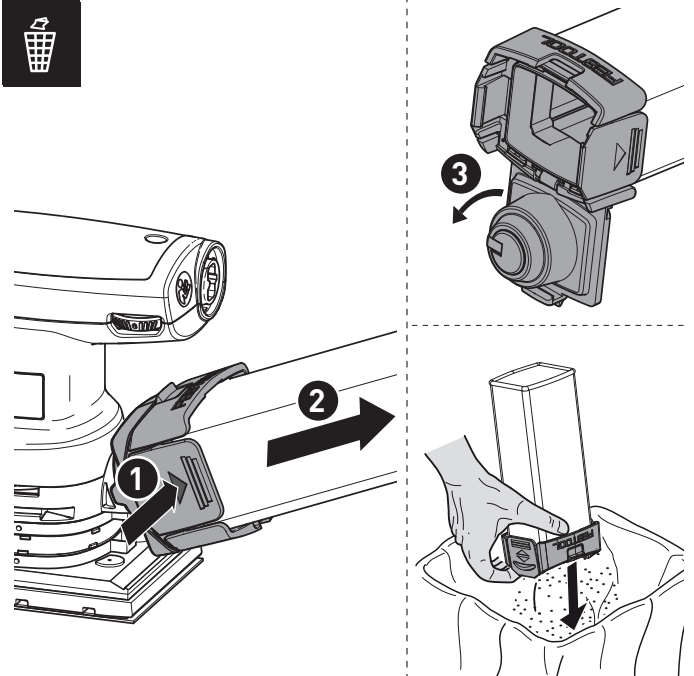


5



If the suction power is decreasing, empty the dust bag.

- 1 Press the dust bag onto the actuating elements.
- 2 Remove the dust bag by moving it towards the rear.
- 3 Open the flap on the dust bag.
- 4 Empty the dust bag and dispose of the waste.



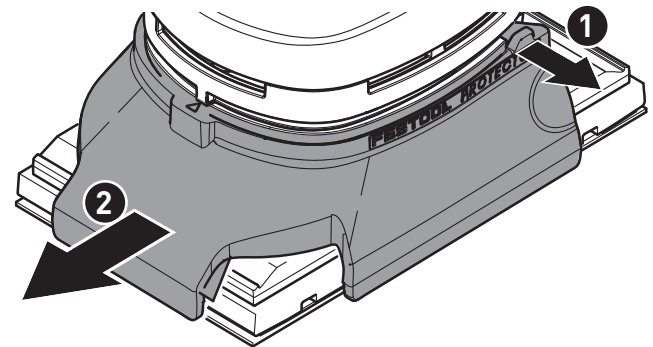
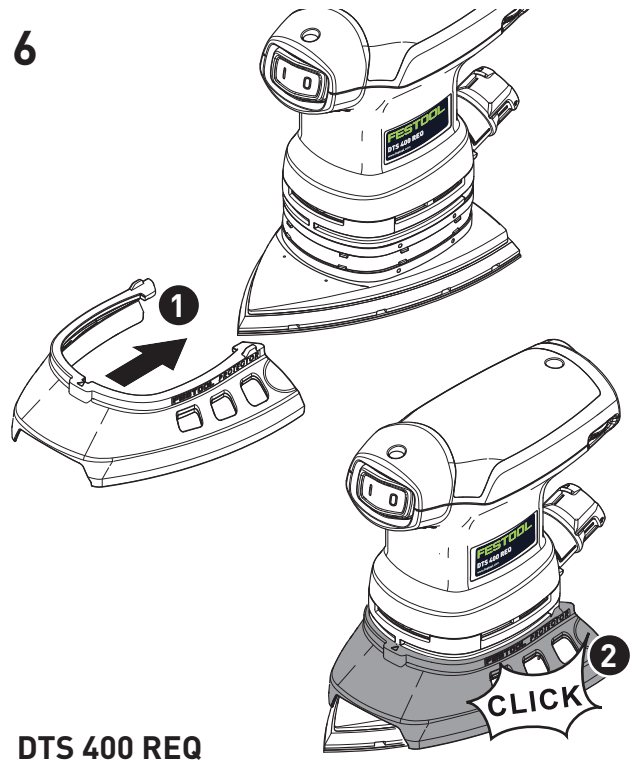
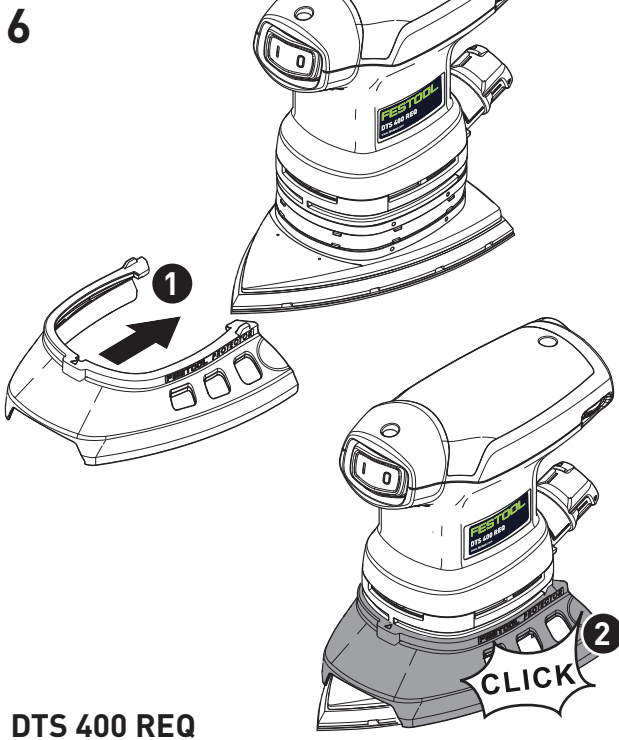
#### Dust extraction with Festool's mobile dust extractor

To prevent having to frequently empty the dust bag when carrying out sanding work for a long period of time, you can connect Festool's mobile dust extractor (with an extraction hose diameter of 27 mm) to the extractor connection piece [1-4].

**Recommendation:** Use an antistatic suction hose. This helps reduce the electric charge.

## Edge protector [6]

The edge protector [1-6] prevents the sanding pad circumference from coming into contact with a surface (e.g. when sanding along a wall or a window), thus preventing back-kick of the machine, or machine damage.



## Working with the machine



### WARNING

#### Risk of injury

- ▶ Always secure the workpiece in such a manner that it cannot move while being machined.

#### Observe the following instructions:

- Do not overload the machine by pressing with excessive force! The best sanding results are achieved with moderate application pressure. The sanding capacity and quality are mainly dependent on the selection of the correct abrasive.
- Work in corners and on edges tends to subject the tip to increased stress and results in increased heat development. In such cases, work with reduced contact pressure.

- Hold the machine with one hand on the handle [1-9].

For sanding, we recommend the following settings for the adjusting wheel [1-3]:

#### Sanding work

#### Adjusting wheel setting

- |   |       |
|---|-------|
| - Sanding with max. abrasion                              | 5 - 6 |
| - Sanding off old paint                                   |       |
| - Sanding of wood and veneered surface prior to paintwork |       |
| - Intermediate sanding of paintwork on surfaces           |       |

Sanding work	Adjusting wheel setting
<ul style="list-style-type: none"> <li>- Sanding thinly applied undercoat</li> <li>- Sanding wood with sanding cloth</li> <li>- Edge breaking on wooden parts</li> <li>- Smoothing primed wooden surfaces</li> </ul>	4 - 5
<ul style="list-style-type: none"> <li>- Sanding solid wood and veneered edges</li> <li>- Sanding rebate of windows and doors</li> <li>- Intermediate sanding of paintwork at edges</li> <li>- Light sanding of natural wood windows using sanding cloth</li> <li>- Smoothing wooden surfaces using sanding cloth before staining</li> <li>- Rubbing or removing excess limestone residue using sanding cloth</li> </ul>	3 - 4
<ul style="list-style-type: none"> <li>- Intermediate sanding of paintwork on stained surfaces</li> <li>- Cleaning natural wood window rebate using sanding cloth</li> </ul>	2 - 3
<ul style="list-style-type: none"> <li>- Sanding stained edges</li> <li>- Sanding of thermoplastics</li> </ul>	1 - 2

## Service and maintenance



### WARNING

**Any maintenance or repair work that requires opening of the motor or gear housing should only be carried out by an authorised Customer Service Centre (name supplied by your dealer)!**

- ▶ Maintenance or repair work carried out by an unauthorised person can lead to the wrong connection of the power cord or other components, which in turn can lead to accidents with serious consequences.



### CAUTION

**Certain cleaning agents and solvents are harmful to plastic parts.**

- ▶ Some of these include, but are not limited to: Gasoline, Acetone, Methyl Ethyl Ketone (MEK), Carbonyl Chloride, cleaning solutions containing Chlorine, Ammonia, and household cleaners containing Ammonia.



### WARNING

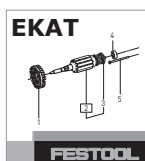
**Risk of injury, electric shock**

- ▶ Always disconnect the battery pack from the machine before any cleaning or maintenance!
- ▶ All maintenance and repair work which requires the motor housing to be opened, must only be carried out by an authorised service workshop.



**Customer service and repair** only through manufacturer or service workshops: Please find the nearest address at:

[www.festoolusa.com/service](http://www.festoolusa.com/service)



Use only original Festool spare parts!  
Order No. at:

[www.festoolusa.com/service](http://www.festoolusa.com/service)

The machine is equipped with special carbon brushes. If they are worn out, the power is inter-

rupted automatically and the machine comes to a standstill.

To ensure constant air circulation, always keep the cooling air openings in the motor housing clean and free of any obstruction.

In the event of a slowdown in performance or increased vibrations, blow and clean cooling air openings.

## Accessories

Use only original Festool accessories and Festool consumable material intended for this machine. These components are designed specifically for this machine. Using accessories and consumable material from other suppliers will most likely affect the quality of your results and limit warranty claims. Machine wear or your own personal workload may increase depending on the application. Protect yourself and your machine, and preserve your warranty claims by always using original Festool accessories and Festool consumable material!

The order numbers of the accessories and tools can be found in the Festool catalogue or on the Internet under "[www.festoolusa.com](http://www.festoolusa.com)".

### Systainer

Many Festool products are shipped in a unique system container, called "Systainer". This provides protection and storage for the tool and accessories. The Systainers are stackable and can be interlocked together. They also can be interlocked atop Festool CT dust extractors.

#### To open the Systainer



Turn the T-loc [7-1] to this position.

#### To lock the Systainer



Turn the T-loc [7-1] to this position.

#### To connect two Systainers

Place one Systainer on the top of the other (Fig. [7 A]).

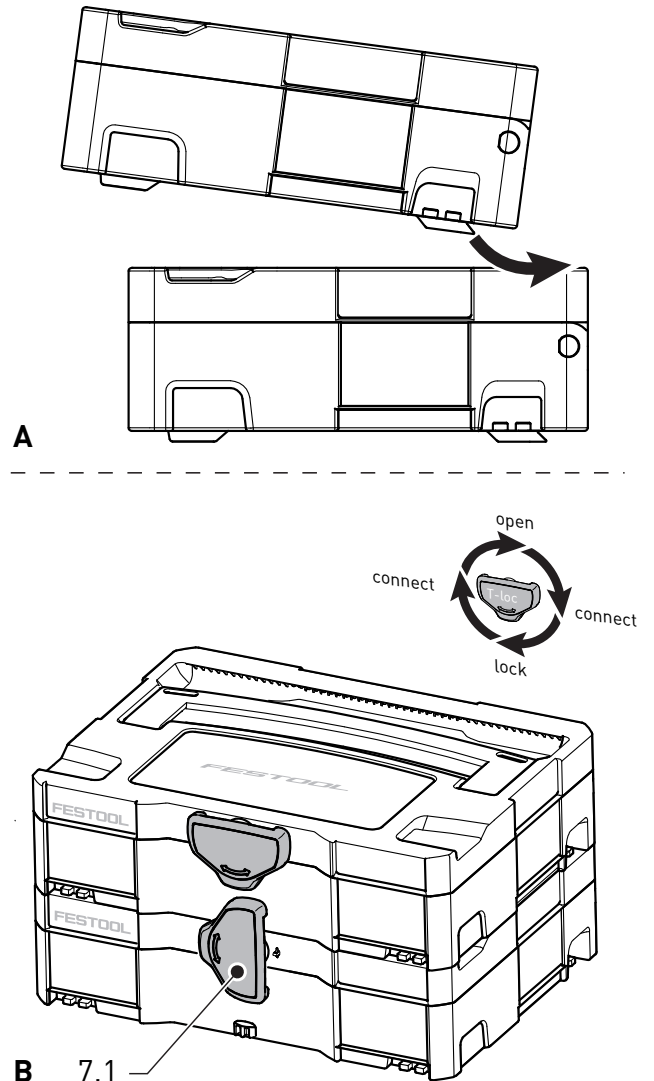


Turn the T-loc [7-1] to one of this positions (Fig. [7 B]).

The Systainers are connected and locked.

① A new generation Systainer is connectable on top of a previous generation Systainer by the four latches of the previous Systainer.

7



## Environment

**Do not dispose of the device as domestic waste!** Dispose of machines, accessories and packaging at

an environmentally responsible recycling centre. Observe the respective national regulations.






## Notice d'utilisation d'origine



À propos de ce manuel .....	17	Mise en service.....	22
Symboles.....	18	Réglages.....	23
Consignes de sécurité .....	19	Électronique .....	23
Consignes générales de sécurité pour outils électroportatifs .....	19	Changement du plateau de ponçage[3]	23
Consignes de sécurité spécifiques à la machine .....	20	Fixation des accessoires de ponçage avec StickFix [4].....	24
La poussière, un risque pour la santé.	21	Aspiration .....	25
Utilisation en conformité avec les instructions .....	21	Capot protecteur[6] .....	25
Caractéristiques techniques .....	22	Travail avec la machine .....	26
Description fonctionnelle .....	22	Entretien et maintenance.....	27
		Accessoires.....	28
		Environnement .....	29

## À propos de ce manuel











### Conservez ces instructions

Il est important pour vous de lire et de comprendre ce manuel. Les informations qu'il contient, se rapporte à la protection **de votre sécurité** et **de prévention des problèmes**. Les symboles suivants sont utilisés pour vous aider à reconnaître cette information.


 DANGER	Description du risque imminent et l'incapacité à éviter tout risque qui peut entraîner la mort.
 AVERTISSEMENT	Description des dangers possibles et des blessures qui en résultent ou la mort.
 ATTENTION	Description des dangers et des éventuelles blessures qui en résultent.

 AVIS	Déclaration incluant le type de danger et conséquences possibles.
 CONSEIL	Indique des informations, des notes ou des conseils pour améliorer votre succès en utilisant l'outil.

## Symboles

Symbole	Signification	Symbole	Signification
	Avertissement de danger		Classe de protection II
	Avertissement contre le risque d'électrocution	V	Volt
	Notice d'utilisation, lire les consignes de sécurité !	A	Ampère
	Porter une protection auditive !	Hz	Hertz
	Porter une protection respiratoire !	~ a.c.	Tension alternative
	Porter des lunettes de protection !	— d.c.	courant continu
	Ne pas jeter l'appareil avec les ordures ménagères.	$n_0$	vitesse de rotation à vide
	Astuce, information	rpm	tours ou course par minute
	Consignes opératoires	min <sup>-1</sup>	
		"	pouce
		lbs	livre
		∅	Diamètre
		°C	centigrade
		°F	degrés Fahrenheit
		Nm	Newton mètre
		mm	millimètre

### Consignes générales de sécurité pour outils électroportatifs

 **AVERTISSEMENT !** Veuillez lire toutes les consignes de sécurité, instructions, images et caractéristiques techniques avec lesquels cet outil électrique est fourni. Des négligences relatives aux instructions ci-dessous peuvent occasionner un choc électrique, un incendie et/ou des blessures graves.

**Conserver toutes les consignes de sécurité et instructions pour une référence future.**

Le terme "outil électrique" utilisé dans les consignes de sécurité se rapporte aux outils électroportatifs fonctionnant sur secteur (avec câble) et aux outils électroportatifs fonctionnant sur accumulateurs (sans câble).

#### 1 SÉCURITÉ DU POSTE DE TRAVAIL

- a. **Veillez à ce que la zone de travail soit propre et bien éclairée.** Un poste de travail en désordre et mal éclairé peut entraîner des accidents.
- b. **Ne vous servez pas de l'outil électroportatif dans un environnement où il y a un risque d'explosion dû à la présence de liquides inflammables, de gaz ou de poussières.** Les outils électroportatifs peuvent générer des étincelles susceptibles d'enflammer la poussière ou les vapeurs.
- c. **Éloignez les enfants et d'autres personnes pendant l'utilisation de l'outil électroportatif.** Si vous êtes distrait, vous pouvez perdre le contrôle de l'outil.
- d. **Ne laissez pas l'outil électroportatif fonctionner sans surveillance.** Ne vous éloignez de l'outil électroportatif que lorsque l'accessoire est complètement immobilisé.

#### 2 SÉCURITÉ ÉLECTRIQUE

- a. **Le connecteur de l'outil électroportatif doit correspondre à la prise électrique. Le connecteur ne doit être modifié d'aucune façon. N'utilisez pas d'adaptateur avec des outils électroportatifs mis à la terre.** Des connecteurs intacts et des prises correspondantes diminuent le risque d'un choc électrique.
- b. **Évitez tout contact avec des surfaces mises à la terre telles que des tuyaux, chauffages, cuisinières et réfrigérateurs.** Un risque élevé de choc électrique existe si votre corps est relié à la terre.

- c. **Protégez les outils électroportatifs de la pluie et de l'humidité.** L'infiltration d'eau dans un outil électroportatif augmente le risque de choc électrique.
- d. **Ne détournez pas l'utilisation du câble de raccordement pour porter l'outil électroportatif, l'accrocher ou pour tirer le connecteur de la prise. Éloignez le câble de la chaleur, de l'huile, de bords tranchants ou de pièces de l'appareil en mouvement.** Un câble endommagé ou enchevêtré augmente le risque de choc électrique.
- e. **Si vous travaillez avec un outil électroportatif à l'extérieur, utilisez uniquement des rallonges prévues pour l'extérieur.** L'utilisation d'un câble prévu pour l'extérieur diminue le risque d'un choc électrique.
- f. **Utilisez un disjoncteur à courant de défaut quand le fonctionnement de l'outil électroportatif en environnement humide ne peut pas être évité.** L'utilisation d'un disjoncteur à courant de défaut diminue le risque d'un choc électrique.

#### 3 SÉCURITÉ DES PERSONNES

- a. **Soyez attentif à ce que vous faites, faites preuve de bon sens lorsque vous travaillez avec l'outil électroportatif. N'utilisez pas l'outil électroportatif si vous êtes fatigué ou si vous êtes sous l'influence de drogues, de l'alcool ou de médicaments.** Un moment d'inattention lors de l'utilisation de l'outil électroportatif peut entraîner des blessures graves.
- b. **Portez un équipement de protection individuelle et des lunettes de protection en permanence.** Le port d'un équipement de protection individuelle tel que masque contre la poussière, chaussures de sécurité antidérapantes, casque ou protection auditive, en fonction du type et de l'utilisation de l'outil électroportatif, diminue le risque de blessures.
- c. **Évitez toute mise en service involontaire. Assurez-vous que l'outil électroportatif est déconnecté avant de le raccorder à l'alimentation électrique et/ou à la batterie, avant de le soulever ou de le porter.** Si, en portant l'outil électroportatif, vous avez le doigt sur l'interrupteur ou si vous raccordez l'appareil connecté à l'alimentation électrique, cela peut entraîner des accidents.
- d. **Retirez les outils de réglage ou les clés anglaises avant de connecter l'outil électroportatif.** Un outil ou une clé qui se trouve dans une

partie de l'outil en rotation peut entraîner des blessures.

- e. **Évitez toute position de travail anormale. Veillez à maintenir une position stable et un bon équilibre à tout moment.** Vous pourrez ainsi à tout moment contrôler l'outil électroportatif dans des situations inattendues.
- f. **Portez des vêtements adaptés. Ne portez pas de vêtements amples ou de bijoux. Éloignez vos cheveux et vos vêtements des pièces en mouvement.** Des vêtements amples, des bijoux ou des cheveux longs pourraient se prendre dans les pièces en mouvement.
- g. **Si des dispositifs d'aspiration et de récupération des poussières peuvent être montés, raccordez-les et utilisez-les correctement.** L'utilisation d'une aspiration des poussières peut diminuer les dangers dus aux poussières.
- h. **Ne vous croyez pas faussement en sécurité et n'enfreignez pas les règles de sécurité destinées aux outils électroportatifs, même si vous maîtrisez l'outil électroportatif après de multiples utilisations.** Un manque d'attention peut en un quart de seconde entraîner de graves blessures.

#### 4 UTILISATION ET TRAITEMENT DE L'OUTIL ÉLECTROPORTATIF

- a. **Ne surchargez pas l'appareil. Utilisez l'outil électroportatif destiné à votre travail.** L'outil électroportatif adapté vous permet de travailler mieux et avec plus de sécurité dans la plage de puissance indiquée.
- b. **N'utilisez aucun outil électroportatif dont l'interrupteur serait défectueux.** Un outil électroportatif qui ne peut plus être mis en marche ou arrêté est dangereux et doit être réparé.
- c. **Débranchez le connecteur de la prise de courant et/ou retirez une batterie amovible avant d'effectuer des réglages sur l'appareil, de remplacer des accessoires ou de déposer l'outil.** Cette mesure de précaution empêche un démarrage involontaire de l'outil électroportatif.
- d. **Rangez toujours les outils électroportatifs inutilisés hors de portée des enfants. Ne laissez pas les personnes auxquelles vous ne faites pas confiance ou qui n'ont pas lu ces consignes se servir de l'appareil.** Les outils électroportatifs sont dangereux lorsqu'ils sont utilisés par des personnes inexpérimentées.
- e. **Prenez soin de vos outils électroportatifs et accessoires. Vérifiez que les parties mobiles fonctionnent sans problème, qu'elles ne coincent pas et qu'il n'y a pas de parties cassées ou en-**

**dommagées qui pourraient entraver le bon fonctionnement de l'outil électroportatif. Faites réparer les parties endommagées avant d'utiliser l'appareil.** De nombreux accidents sont dus à un mauvais entretien des outils électroportatifs.

- f. **Maintenez les outils de coupe affûtés et propres.** Des outils de coupe entretenus avec soin dotés de bords de coupe affûtés se coincent moins et sont plus faciles à utiliser.
- g. **Utilisez l'outil électroportatif, les accessoires, outils, etc. en respectant ces instructions. Tenez compte des conditions de travail et de la tâche à effectuer.** L'utilisation des outils électroportatifs pour d'autres applications que celles prévues peut entraîner des situations dangereuses.
- h. **Veillez à ce que les poignées et surfaces des poignées soient sèches, propres et exemptes d'huile ou de graisse.** Des poignées et surfaces de poignées glissantes ne permettent pas une utilisation en toute sécurité ni un contrôle de l'outil électroportatif dans des situations imprévues.

#### 5 SERVICE

- a. **Faites réparer votre outil électroportatif uniquement par un personnel qualifié ; les réparations doivent être effectuées avec des pièces d'origine uniquement,** afin de garantir la fiabilité de l'outil électroportatif.

#### Consignes de sécurité spécifiques à la machine

- **Au cours du travail, des poussières dangereuses pour la santé peuvent être générées (comme les poussières de peintures au plomb, certaines poussières de bois).** Le contact ou l'inhalation de ces poussières peut présenter un danger pour l'utilisateur ou les personnes se trouvant à proximité. Veuillez respecter les prescriptions de sécurité en vigueur dans votre pays.



Pour votre santé, porter un masque de protection respiratoire de classe P2. Dans les espaces clos, assurer une ventilation suffisante et brancher un dispositif d'aspiration.



Porter systématiquement des lunettes de protection pour se protéger des risques inhérents au ponçage.

- **Nettoyez à l'eau les accessoires imprégnés d'huile, comme par ex. le patin de ponçage ou le feutre de polissage, et laissez-les sécher en les étalant convenablement.** Les accessoires imbibés d'huile sont susceptibles de s'enflammer spontanément.

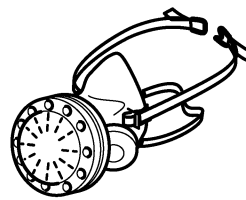
- **Attention au risque d'incendie ! Évitez la surchauffe des matériaux travaillés et de la ponceuse. Videz systématiquement le bac de récupération des poussières avant de faire une pause dans votre travail.** Les particules de poussières se trouvant dans le sac filtre ou le filtre de l'aspirateur peuvent s'enflammer d'elles-mêmes dans des conditions défavorables, comme par ex. la projection d'étincelles lors du ponçage de pièces en métal. Le risque est particulièrement important lorsque les particules de poussières sont mélangées à des résidus de vernis, de polyuréthane ou d'autres substances chimiques et que les matériaux travaillés sont très chauds après avoir été longtemps travaillés.
- **En cas de chute, vérifiez que l'outil électroportatif et le patin de ponçage ne sont pas endommagés. Démontez le patin de ponçage pour un examen minutieux. Faites réparer les pièces endommagées avant toute utilisation.** Des patins de ponçage cassés et des machines endommagées peuvent causer des blessures et compromettre la sûreté de la machine.
- **N'utilisez que des plateaux de ponçage d'origine Festool.**

## La poussière, un risque pour la santé



**AVERTISSEMENT!** Certaines poussières créées par le ponçage mécanique, le sciage, le meulage, le perçage et autres activités liées à la construction contiennent des substances chimiques connues (dans l'État de la Californie) comme pouvant causer le cancer, des anomalies congénitales ou représenter d'autres dangers pour la reproduction. Voici quelques exemples de telles substances:

- plomb provenant de peintures à base de plomb,
- silice cristallisée utilisée dans les briques, le ciment et autres matériaux de maçonnerie, et
- arsenic et chrome du bois d'oeuvre traité avec un produit chimique.



Le risque d'exposition à de tels produits varie selon la fréquence à laquelle vous faites ce genre de travail. Pour réduire les risques d'exposition à ces substances chimiques :

travaillez dans un endroit adéquatement ventilé et utilisez un équipement de sécurité approuvé, tel que masques antipoussières spécialement conçus pour filtrer les particules microscopiques.



### AVERTISSEMENT

**POUR RÉDUIRE LE RISQUE DE DOMMAGES, L'UTILISATEUR DOIT LIRE LE MANUEL D'INSTRUCTION.**

## Utilisation en conformité avec les instructions

Les ponceuses sont conçues pour le ponçage des matériaux suivants : bois, matières plastiques, pierre, matériaux composites, peintures / vernis, enduits et matériaux similaires. L'usinage du métal et de l'amiante est formellement interdit.

Afin de garantir la sécurité électrique, l'outil ne doit

pas être mouillé ou utilisé en environnement humide. Cet outil doit être exclusivement utilisé pour le ponçage à sec.



L'utilisateur est responsable des dommages provoqués par une utilisation non conforme.

## Caractéristiques techniques

Ponceuse vibrante	DTS 400 REQ	RTS 400 REQ
Puissance	250 W	250 W
Vitesse de rotation à vide	6000 - 12000 min <sup>-1</sup>	6000 - 12000 min <sup>-1</sup>
Vitesse de rotation max. <sup>1</sup>	16000 min <sup>-1</sup>	16000 min <sup>-1</sup>
Course de ponçage	5/64" (2.0 mm)	5/64" (2.0 mm)
Patin de ponçage	4" x 6" (100 x 150 mm)	3-5/32" x 5-1/4" (80 x 130 mm)
Poids (sans câble secteur, avec patin de ponçage)	2,6 lbs (1,2 kg)	2,6 lbs (1,2 kg)

<sup>1</sup> Vitesse de rotation max. en cas d'électronique défectueuse.

## Description fonctionnelle

Des éléments fournis sont disponibles sur le volet qui se trouve au début de cette notice d'utilisation. Vous pouvez ainsi déplier cette page et visualiser en permanence les différentes parties de l'outil lorsque vous lisez la notice.

- [1-1]** Interrupteur de marche/arrêt
- [1-2]** Raccordement plug-it
- [1-3]** Régulation de la vitesse
- [1-4]** Raccord d'aspiration

- [1-5]** Patin de ponçage
- [1-6]** Capot de protection
- [1-7]** Sac poussière Longlife
- [1-8]** Adaptateur pour sac poussière
- [1-9]** Poignées isolées

Les accessoires illustrés ou décrits ne sont partiellement pas contenus dans le volume de livraison.

## Mise en service



### AVERTISSEMENT

#### Tension ou fréquence non admissible !

#### Risque d'accident

- La tension et la fréquence d'alimentation électrique doivent être conformes aux indications de la plaque signalétique.
- En Amérique du nord, utilisez uniquement les outils Festool fonctionnant sous une tension de 120 V/60 Hz.



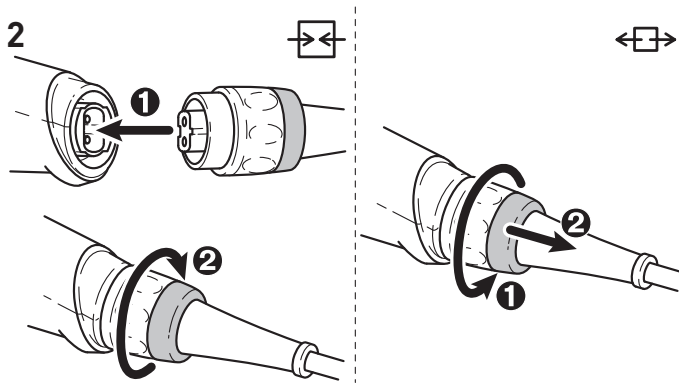
### ATTENTION

#### Échauffement du raccordement plug-it si le raccord à baïonnette n'est pas complètement verrouillé

#### Risque de brûlures

- Avant de mettre en marche l'outil électroportatif, assurez-vous que le raccord à baïonnette est complètement fermé et verrouillé sur le câble de raccordement secteur.

Voir en figure [2] la connexion et la déconnexion du câble de raccordement - au secteur.



L'interrupteur [1-1] fait office d'interrupteur marche/arrêt (1 = MARCHÉ, 0 = ARRÊT).

ⓘ Si une panne de courant se produit ou que la prise secteur est débranchée, mettre immédiatement l'interrupteur marche/arrêt en position d'arrêt. Ceci permet d'éviter tout redémarrage intempestif.

## Réglages



### AVERTISSEMENT

#### Risques de blessures, choc électrique

► Débranchez prise de courant avant toute intervention sur la machine !

### Électronique

#### Démarrage progressif

Le démarrage progressif assure un fonctionnement sans à-coups de la machine.

#### Vitesse de rotation constante

La vitesse sélectionnée est maintenue constante de manière électronique. La vitesse de ponçage reste homogène lorsque l'outil est utilisé de façon conforme (pression appropriée).

#### Réglage de la vitesse

La molette [1-3] permet de régler la vitesse de rotation entre 6000 et 12000  $\text{min}^{-1}$ .

Vous pouvez ainsi adapter de façon optimale la vitesse de ponçage à chaque matériau (voir le chapitre Travail avec la machine).

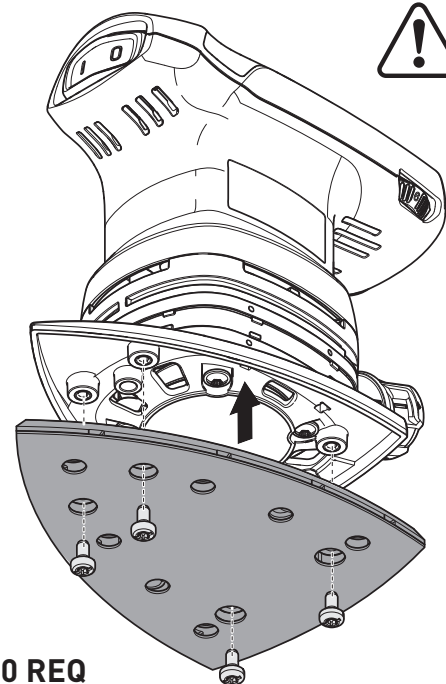
#### Changement du plateau de ponçage[3]



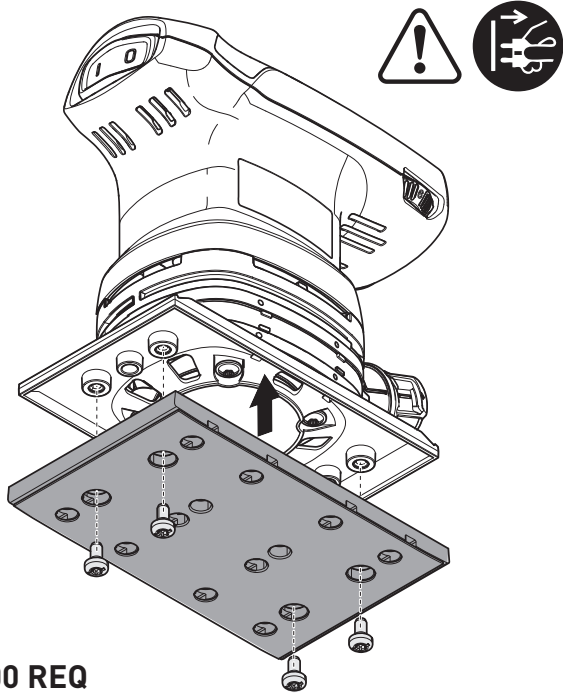
Pour obtenir un résultat exceptionnel, utiliser uniquement les accessoires et consom-

mables d'origine. En cas de non-utilisation des accessoires et consommables d'origine, les dommages qui pourraient s'ensuivre ne sont pas couverts par la garantie.

3



DTS 400 REQ

**3****RTS 400 REQ**

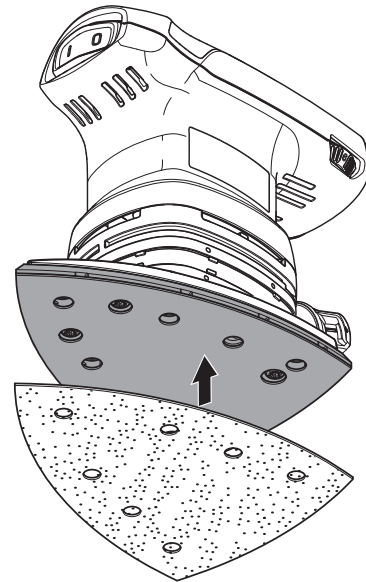
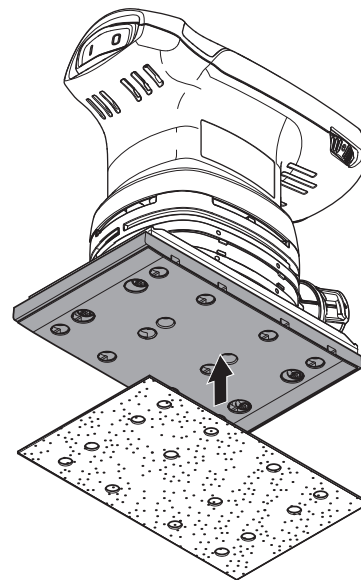
Dès que le revêtement StickFix du patin de ponçage est usé, remplacer l'ensemble du patin de ponçage :

- ❶ Desserrer quatre vis.
- ❷ Tirer le patin de ponçage vers le bas.
- ❸ Monter un nouveau patin de ponçage.
- ❹ Serrer avec quatre vis à la main (2,5 Nm).

## Fixation des accessoires de ponçage avec StickFix [4]

Le plateau de ponçage StickFix permet de fixer des abrasifs et des feutres StickFix adaptés de manière simple et rapide.

- Appuyer l'accessoire de ponçage autocollant sur le patin de ponçage.

**4****DTS 400 REQ****4****RTS 400 REQ**



## Aspiration



### AVERTISSEMENT

#### Risques pour la santé dus aux poussières

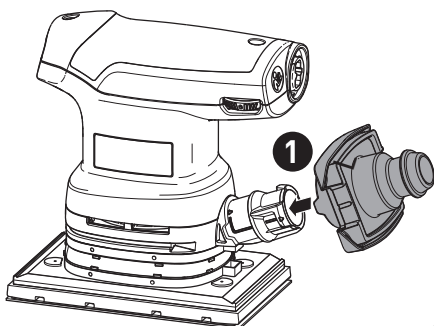
- ▶ Les poussières peuvent être dangereuses pour la santé. Pour cette raison, ne travaillez jamais sans aspiration.
- ▶ Respectez toujours les prescriptions nationales en vigueur lors de l'aspiration de poussières dangereuses pour la santé.

#### Aspiration intégrée avec sac poussière Longlife

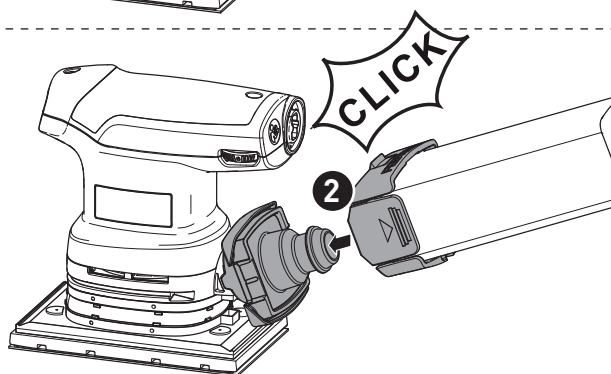
Les ponceuses sont équipées de série d'une aspiration intégrée. La poussière de ponçage est aspirée à travers les orifices d'aspiration du patin de ponçage et recueillie dans le sac poussière.

#### Montage du sac poussière [5]

- 1 Enfoncer l'adaptateur de sac poussière sur le raccord d'aspiration.
- 2 Enfoncer le sac poussière sur l'adaptateur jusqu'à enclenchement.

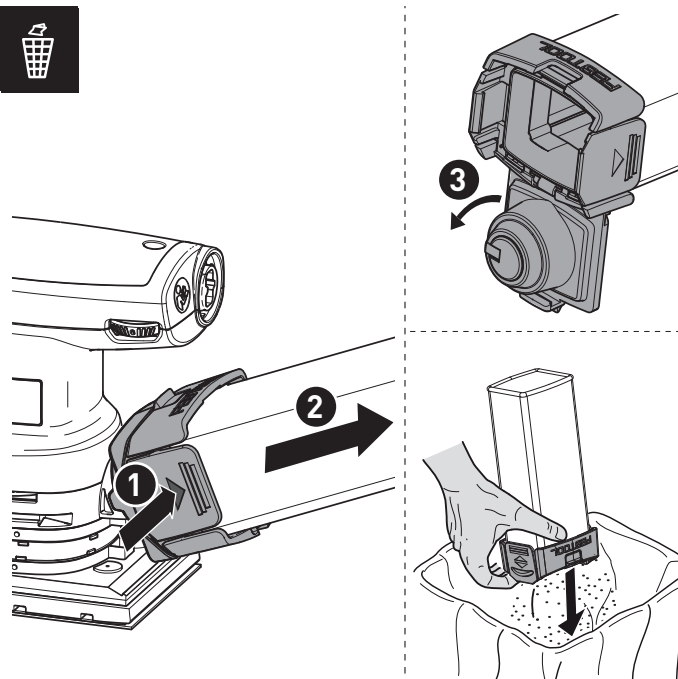


5



Quand la puissance d'aspiration diminue, vider le sac poussière.

- 1 Appuyer sur les dispositifs d'actionnement du sac poussière.
- 2 Tirer le sac poussière vers l'arrière.
- 3 Ouvrir le clapet du sac poussière.
- 4 Vider le sac poussière et éliminer les déchets.



#### Aspiration avec l'aspirateur Festool

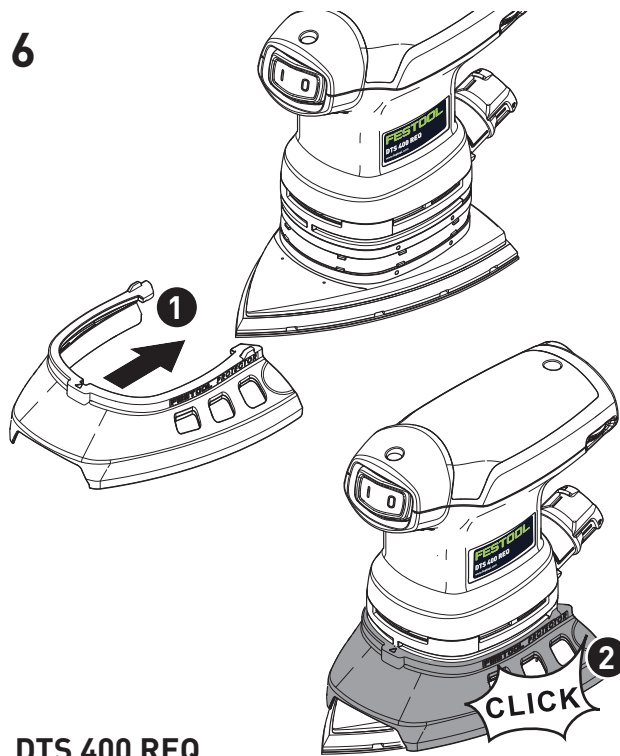
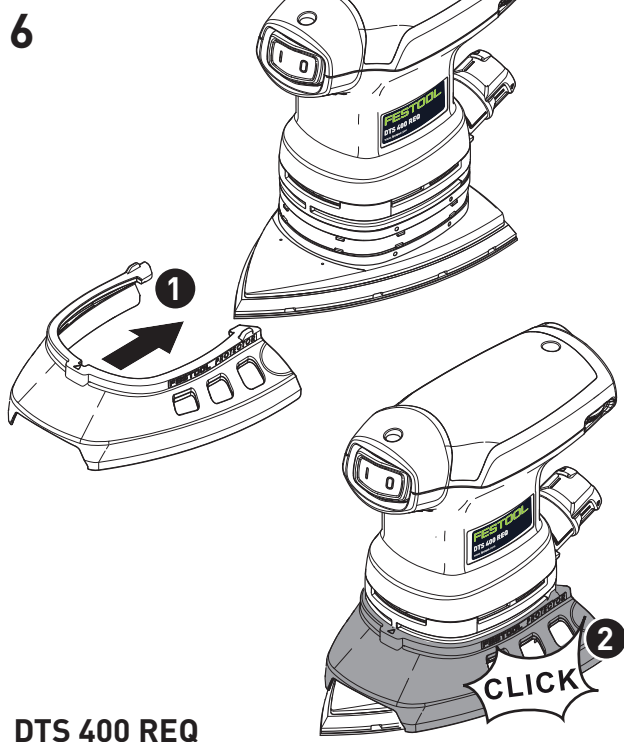
Pour éviter de vider fréquemment le sac poussière lors de travaux de ponçage prolongés, raccorder un aspirateur Festool avec tuyau d'aspiration de 27 mm de diamètre au raccord d'aspiration [1-4].

**Notre recommandation :** utilisez un tuyau d'aspiration antistatique ! La fonction antistatique empêche la charge d'électricité statique.

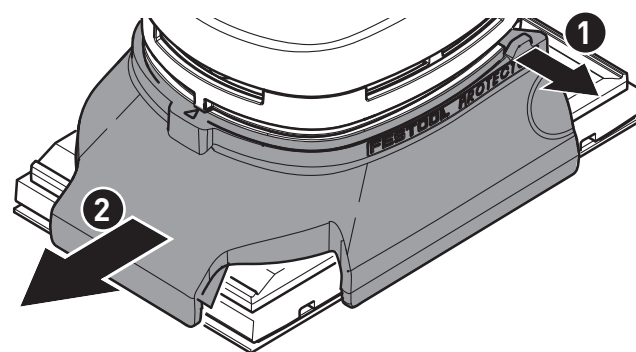
#### Capot protecteur[6]

La protection pour chants [1-6] empêche que la circonférence du patin de ponçage ne touche une surface (par ex. lors du ponçage le long d'un mur ou

d'une fenêtre) et ne provoque un rebond de l'outil, voire des dommages.



DTS 400 REQ



## Travail avec la machine



### AVERTISSEMENT

#### Risques de blessures

- Fixer la pièce à usiner de manière à ce qu'elle ne puisse pas bouger pendant le traitement.

#### Observez les consignes suivantes :

- Ne surchargez pas l'outil : n'exercez pas de pression trop importante ! Pour obtenir des résultats optimaux, il convient d'exercer une pression modérée. Les performances de ponçage et la qualité du ponçage dépendent essentiellement du choix de l'abrasif.
- Le fait d'intervenir dans les angles et sur les chants sollicite ponctuellement la pointe et produit un fort dégagement de chaleur. Vous devez donc exercer moins de pression.

- Maintenir la machine avec une main à la poignée [1-9] afin de garantir un guidage sûr.

Pour les travaux de ponçage, nous recommandons de régler la molette comme suit [1-3]:

#### Travaux de ponçage

#### Position de la molette

- |  |       |
|--|-------|
| - Ponçage avec abrasion élevée                         | 5 - 6 |
| - Ponçage d'anciennes peintures                        |       |
| - Ponçage de bois et de contreplaqué avant peinture    |       |
| - Ponçage intermédiaire de peintures (surfaces planes) |       |

Travaux de ponçage	Position de la molette
<ul style="list-style-type: none"> <li>- Ponçage de sous-couches fines</li> <li>- Ponçage de bois à l'aide du non-tissé de ponçage</li> <li>- Réalisation de chants sur des pièces en bois</li> <li>- Lissage de surfaces en bois à enduit</li> </ul>	4 - 5
<ul style="list-style-type: none"> <li>- Ponçage de chants en bois massif et en contreplaqué</li> <li>- Ponçage dans la rainure de fenêtres et de portes</li> <li>- Ponçage intermédiaire du vernis de chants</li> <li>- Ponçage de fenêtres en bois naturel à l'aide du non-tissé de ponçage</li> <li>- Lissage de la surface en bois avant le décapage à l'aide du non-tissé de ponçage</li> <li>- Ponçage ou enlèvement de la pâte de chaux superflue à l'aide du non-tissé de ponçage</li> </ul>	3 - 4
<ul style="list-style-type: none"> <li>- Ponçage intermédiaire de vernis de surfaces décapées</li> <li>- Nettoyage de rainures de fenêtres en bois à l'aide du non-tissé de ponçage</li> </ul>	2 - 3
<ul style="list-style-type: none"> <li>- Ponçage de chants décapés</li> <li>- Ponçage de matières synthétiques thermoplastiques</li> </ul>	1 - 2

## Entretien et maintenance



### AVERTISSEMENT

**Tout travail de maintenance ou de réparation, qui nécessite l'ouverture du moteur ou du carter d'engrenages doit uniquement être effectué par un centre service-client autorisé (nom fourni par votre revendeur) !**

- ▶ Les travaux de maintenance ou de réparation effectués par un personnel non autorisé peuvent conduire à la mauvaise connexion de câbles d'alimentation ou d'autres composants, ce qui peut entraîner à son tour des accidents avec des conséquences graves.



### ATTENTION

**Certains produits nettoyants et solvants sont nocifs pour les pièces en plastique**

- ▶ Quelques exemples de produit nocif: essence, acétone, méthyléthylcétone (MEK), chlorure de carbonyle, solutions nettoyantes contenant du chlore, de l'ammoniac et les produits ménagers contenant de l'ammoniac.



## AVERTISSEMENT

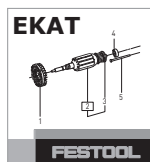
### Risques de blessures, choc électrique

- ▶ Retirez systématiquement la batterie de la machine avant tous les travaux de maintenance et d'entretien !
- ▶ Tous les travaux de maintenance et de réparation nécessitant une ouverture du carter moteur doivent uniquement être effectués par un atelier de service après-vente agréé.



Seuls le fabricant et un atelier homologué sont habilités à effectuer **toute réparation ou service**. Les adresses à

proximité sont disponibles sur: [www.festoolusa.com/service](http://www.festoolusa.com/service)



Utilisez uniquement des pièces de rechange Festool d'origine. Référence sur: [www.festoolusa.com/service](http://www.festoolusa.com/service)

L'appareil est équipé de charbons spéciaux à coupure automatique. Lorsque ceux-ci sont usés, l'alimentation est coupée et l'appareil s'arrête.

Pour assurer la circulation de l'air, il est impératif que les ouïes de ventilation du carter moteur soient maintenues dégagées et propres.

En cas de pertes de puissance ou de vibrations accrues, purgez et nettoyez les ouvertures de circulation d'air de refroidissement.

## Accessoires

Utilisez uniquement les accessoires Festool et consommables Festool d'origine prévus pour cette machine, car ces composants systèmes sont parfaitement adaptés les uns par rapport aux autres. Si vous utilisez des accessoires et consommables d'autres marques, la qualité du résultat peut être dégradée et les recours en garantie peuvent être soumis à des restrictions. L'usure de la machine ou votre charge personnelle peuvent augmenter selon chaque application. Pour cette raison, protégez-vous, votre machine et vos droits à la garantie en utilisant exclusivement des accessoires Festool et des consommables Festool d'origine !

Les références des accessoires et des outils figurent dans le catalogue Festool ou sur Internet sous "[www.festoolusa.com](http://www.festoolusa.com)".

### Systainer

De nombreux produits Festool sont fournis dans une caisse exclusive, appelée "Systainer". Celle-ci permet de protéger et de ranger des outils et des appareils complémentaires. Les Systainer sont

empilables et peuvent être solidarisés. En outre, ils se fixent sur les aspirateurs CT Festool.

### Pour ouvrir le Systainer



Tournez le T-loc **[7-1]** à cette position.

### Pour fermer le Systainer



Tournez le T-loc **[7-1]** à cette position.

### Pour connecter deux Systainers

Placez un Systainer au dessus de l'autre (Fig. **[7 A]**).

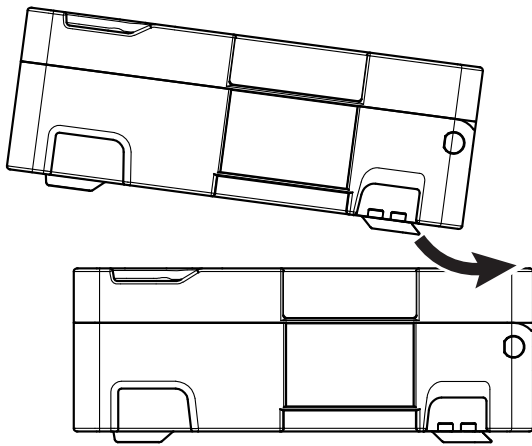


Tournez le T-loc **[7-1]** à une de ces positions (Fig. **[7 B]**).

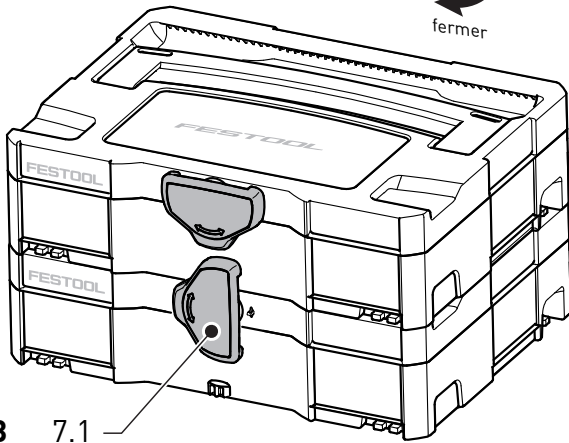
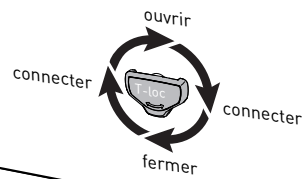
Les Systainers sont combinés.

- ① Un Systainer de la nouvelle génération peut être attaché au dessus d'un Systainer de l'ancienne génération par les quatre loquets de l'ancien Systainer.

7



A



B 7.1

---

## Environnement

---

**Ne jetez pas l'appareil avec les ordures ménagères !** Éliminez l'appareil, les accessoires et les emballages de façon compatible avec l'environnement.

Respectez les prescriptions nationales en vigueur.

## Manual de instrucciones original

Sobre este manual .....	30
Símbolos .....	31
Indicaciones de seguridad .....	32
Indicaciones de seguridad generales para herramientas eléctricas.....	32
Indicaciones de seguridad específicas	33
Riesgos para la salud producidos por el polvo .....	34
Uso conforme a lo previsto .....	34
Datos técnicos .....	34
Descripción de las funciones .....	35
Puesta en servicio .....	35

Ajustes.....	35
Sistema electrónico .....	35
Cambiar la zapata [3].....	36
Fijar los accesorios de lijado con StickFix [4] .....	37
Aspiración .....	37
Protección de cantos (Protector) [6]....	38
Trabajo con la máquina.....	39
Mantenimiento y cuidado.....	40
Accesorios.....	40
Medio ambiente .....	41




---



## Sobre este manual

---












### Guarde estas instrucciones

Es importante que usted lea y entienda este manual. La información que contiene se relaciona con la protección de **su seguridad** y **la prevención de problemas**. Los símbolos que siguen se utilizan para ayudarlo a reconocer esta información.

	<b>PELIGRO</b>	Descripción de peligro inminente y fracaso para evitar riesgos que podran causar la muerte.
	<b>ADVERTENCIA</b>	Descripción de peligro y posibles lesiones resultantes o la muerte.
	<b>PRECAUCIÓN</b>	Descripción de peligro y posibles lesiones resultantes.

	<b>AVISO</b>	Declaración incluyendo el tipo de riesgo y posible resultados.
	<b>CONSEJO</b>	Indica informaciones, notas, o consejos para mejorar su éxito con la herramienta.

## Símbolos

Símbolo	Significado	Símbolo	Significado
	Aviso de peligro general		Clase de protección II
	Peligro de electrocución	V	Voltios
	¡Leer el manual de instrucciones y las indicaciones de seguridad!	A	Amperios
	¡Usar protección para los oídos!	Hz	Hertzios
	¡Utilizar protección respiratoria!	~ a.c.	Tensión alterna
	¡Utilizar gafas de protección!	— d.c.	Tensión continua
	No depositar en la basura doméstica.	$n_0$	revoluciones por minuto en vacío
	Consejo, indicación	rpm	revoluciones por minuto
	Guía de procedimiento	min <sup>-1</sup>	revoluciones por minuto
		"	pulgada
		lbs	libras
			diámetro
		°C	centígrados
		°F	grados Fahrenheit
		Nm	Newton metro
		mm	milímetros

### Indicaciones de seguridad generales para herramientas eléctricas



**ADVERTENCIA !** Lea y observe todas las indicaciones de seguridad, instrucciones, imágenes y datos técnicos con los que se presenta esta herramienta eléctrica. Si no se cumplen debidamente las instrucciones de abajo, puede producirse una descarga eléctrica, quemaduras o lesiones graves.

**Guardar todas las indicaciones de seguridad e instrucciones para que sirvan de futura referencia.**

El término «herramienta eléctrica» empleado en las indicaciones de seguridad hace referencia a herramientas eléctricas conectadas a la red eléctrica (con un cable de red) y a herramientas eléctricas alimentadas con batería (sin cable de red).

#### 1 SEGURIDAD EN EL LUGAR DE TRABAJO

- a. **Mantenga su zona de trabajo limpia y bien iluminada.** El desorden y la falta de iluminación en las zonas de trabajo pueden dar lugar a accidentes.
- b. **No trabaje con la herramienta eléctrica en entornos potencialmente explosivos donde se encuentren líquidos, gases o polvos inflamables.** Las herramientas eléctricas producen chispas que pueden inflamar el polvo o los vapores.
- c. **Mantenga a los niños y otras personas alejados de la herramienta eléctrica durante el uso.** Si se distrae, puede perder el control de la herramienta.
- d. **No desatienda la herramienta eléctrica en ningún momento mientras esté en funcionamiento.** Mantenga vigilada la herramienta eléctrica hasta que esta pare por completo.

#### 2 SEGURIDAD ELÉCTRICA

- a. **El conector de la herramienta eléctrica debe encajar en el enchufe. El conector no debe modificarse en modo alguno. No utilice conectores adaptadores con herramientas eléctricas con puesta a tierra.** Unos conectores intactos y unos enchufes adecuados reducen el riesgo de descarga eléctrica.
- b. **Evite el contacto físico con superficies con puesta a tierra como las de tuberías, calefacciones, cocinas y frigoríficos.** Existe un riesgo elevado de

descarga eléctrica si su cuerpo está en contacto con la tierra.

- c. **Mantenga las herramientas eléctricas lejos de la lluvia y la humedad.** La penetración de agua en una herramienta eléctrica aumenta el riesgo de descarga eléctrica.
- d. **No utilice el cable de conexión para transportar o colgar la herramienta eléctrica ni para extraer el conector del enchufe. Mantenga el cable de conexión alejado del calor, aceite, cantos afilados o piezas de la herramienta en movimiento.** Los cables dañados o enredados aumentan el riesgo de descarga eléctrica.
- e. **Si trabaja con una herramienta eléctrica al aire libre, utilice únicamente alargadores aptos para el uso en exteriores.** El empleo de alargadores aptos para el uso en exteriores reduce el riesgo de descarga eléctrica.
- f. **Cuando sea inevitable el uso de la herramienta eléctrica en un entorno húmedo, utilice un interruptor diferencial.** El uso de un interruptor diferencial reduce el riesgo de que se produzca una descarga eléctrica.

#### 3 SEGURIDAD DE LAS PERSONAS

- a. **Sea cuidadoso, preste atención a lo que está haciendo y actúe con prudencia al trabajar con herramientas eléctricas. No utilice ninguna herramienta eléctrica si está cansado o bajo los efectos de drogas, alcohol o medicamentos.** Una mínima distracción mientras está utilizando la herramienta eléctrica puede ocasionarle graves lesiones.
- b. **Lleve puesto el equipamiento de protección personal y utilice gafas de protección en todo momento.** El empleo del equipamiento de protección personal como p. ej. mascarilla, guantes de seguridad antideslizantes, casco o protección de oídos, según el tipo y la aplicación de la herramienta eléctrica, reduce el riesgo de lesiones.
- c. **Evite un arranque accidental de la herramienta. Asegúrese de que está desconectada antes de conectarla al suministro de corriente o la batería, recogerla o transportarla.** Existe peligro de accidente si transporta la herramienta eléctrica con el dedo sobre el interruptor o si conecta la herramienta encendida a la red.
- d. **Retire las herramientas de ajuste y las llaves de tornillos antes de conectar la herramienta eléctrica.** Si una herramienta o llave se encuentra en



una pieza en movimiento de la herramienta, pueden producirse lesiones.

- e. **Evite una postura anormal del cuerpo. Procure un apoyo seguro y mantenga el equilibrio en todo momento.** De esta manera podrá controlar mejor la herramienta eléctrica en situaciones inesperadas.
- f. **Utilice ropa adecuada. No utilice ropa ancha ni objetos de joyería o bisutería. Mantenga el pelo y la ropa alejados de las piezas en movimiento.** La ropa holgada o el pelo largo pueden quedar atrapados por piezas en movimiento.
- g. **Si se montan dispositivos de aspiración o recogida de polvo, estos deberán conectarse y utilizarse correctamente.** El empleo de un sistema de aspiración del polvo puede disminuir los peligros a causa del polvo.
- h. **No se cree un falso sentido de la seguridad ni ignore las normas de seguridad de las herramientas eléctricas, ni siquiera si está muy familiarizado con el uso de la herramienta.** Una distracción durante el manejo puede derivar en graves lesiones en cuestión de pocas fracciones de segundo.

#### 4 USO Y MANEJO DE LA HERRAMIENTA ELÉCTRICA

- a. **No sobrecargue la herramienta. Utilice la herramienta eléctrica adecuada para el trabajo que va a realizar.** Con la herramienta apropiada trabajará mejor y más seguro en el rango de potencia especificado.
- b. **No utilice ninguna herramienta eléctrica cuyo interruptor esté defectuoso.** Una herramienta eléctrica que no se pueda conectar o desconectar resulta peligrosa y es necesario repararla.
- c. **Extraiga el conector del enchufe o retire la batería extraíble antes de efectuar los ajustes de la herramienta, cambiar los accesorios o guardar la herramienta.** Esta medida de seguridad impide el arranque accidental de la herramienta eléctrica.
- d. **Mantenga las herramientas eléctricas que no esté utilizando fuera del alcance de los niños. No permita que la herramienta sea utilizada por personas que no estén familiarizadas con ella o no hayan leído las presentes indicaciones.** Las herramientas eléctricas en manos inexpertas pueden ser peligrosas.
- e. **Trate las herramientas eléctricas y accesorios con cuidado. Compruebe si las partes móviles funcionan correctamente y no se atascan, y si hay piezas rotas o tan deterioradas que podrían mermar el funcionamiento de la herramienta**

**eléctrica. Haga reparar las piezas deterioradas antes de usar la herramienta.** Muchos accidentes tienen su origen en un mantenimiento deficiente de las herramientas eléctricas.

- f. **Mantenga las herramientas cortantes limpias y afiladas.** Las herramientas cortantes bien cuidadas con aristas de corte afiladas se atascan menos y se guían más fácilmente.
- g. **Utilice la herramienta eléctrica, los accesorios, los elementos intercambiables, etc. de acuerdo con estas instrucciones. Para ello, tenga en cuenta las condiciones de trabajo y la actividad que debe realizar.** El uso de herramientas eléctricas en aplicaciones diferentes a las previstas puede dar lugar a situaciones peligrosas.
- h. **Mantenga las superficies de agarre y los mangos secos, limpios y libres de aceite y grasa.** Un mango o unas superficies de agarre resbaladizos no permiten un manejo y control seguros de la herramienta eléctrica en situaciones imprevistas.

#### 5 SERVICIO

- a. **Encargue la reparación de su herramienta eléctrica únicamente a personal técnico cualificado y solo con piezas de recambio originales.** De esta forma queda garantizada la seguridad de la herramienta eléctrica.

#### Indicaciones de seguridad específicas

- **Durante el trabajo puede generarse polvo perjudicial para la salud (p. ej., de pintura de plomo o de algunos tipos de madera).** El contacto o la inhalación de este polvo puede suponer una amenaza para la persona que realiza el trabajo o para aquellas que se encuentren cerca. Debe cumplir la normativa de seguridad vigente en su país.



Por el bien de su salud, utilice una mascarilla de protección respiratoria con filtro P2. En espacios cerrados procure una ventilación suficiente y conecte un dispositivo de aspiración.



Ante el peligro que supone el lijado, lleve siempre gafas de protección.


- **Limpie los medios de trabajo impregnados en aceite, como p. ej. almohadillas para lijar o fieltros de pulido, con agua y déjelos secar.** Los medios de trabajo empapados en aceite pueden inflamarse.
- **¡Atención: peligro de incendio! Evitar un sobrecalentamiento del material de lijado y de la lijadora. Vaciar siempre el contenedor para polvo antes de las pausas en el trabajo.** En condiciones desfavorables, el polvo resultante del lijado

acumulado en la bolsa filtrante o en el filtro del sistema móvil de aspiración puede inflamarse, p. ej. si se proyectan chispas al lijar metales. Se puede producir una situación especialmente peligrosa si el polvo resultante del lijado se mezcla con restos de pintura o poliuretano, o bien con otras sustancias químicas, y el material de lijado está caliente después de un trabajo prolongado.

– **Tras una caída, compruebe si se han dañado la herramienta eléctrica o la zapata. Desmonte la zapata para realizar una comprobación exacta. Solicite que le reparen las piezas deterioradas antes de usar la herramienta.** La rotura de la zapata y los daños en la herramienta pueden provocar lesiones e incertidumbre al utilizar la máquina.

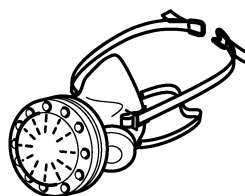
– **Utilice solo zapatas originales de Festool.**

### Riesgos para la salud producidos por el polvo


 **ADVERTENCIA!** Algunos polvos creados por lijadoras motorizadas, aserraderos, trituradores, perforadoras y otras actividades de construcción contienen sustancias químicas que se

sabe (en el Estado de California) causan cáncer, defectos de nacimiento u otros daños al sistema reproductivo. Algunos ejemplos de estas sustancias químicas son:

- Plomo de las pinturas con base de plomo
- Sílice cristalino de los ladrillos y cemento y otros productos de mampostería, y
- Arsénico y cromo de madera tratada con sustancias químicas



El riesgo de exposición a estas sustancias varía, dependiendo de cuantas veces se hace este tipo de trabajo. Para reducir el contacto con estas sustancias químicas: trabaje en un área con buena ventilación y trabaje con equipo de seguridad aprobado, como mascarillas para el polvo diseñadas específicamente para filtrar partículas microscópicas.


 **ADVERTENCIA**

**PARA REDUCIR EL RIESGO DE LESIÓN, EL USUARIO DEBE LEER EL MANUAL DE INSTRUCCIÓN.**

### Uso conforme a lo previsto

Conforme a las especificaciones, las lijadoras están diseñadas para lijar madera, plástico, piedra, materiales compuestos, pintura/barniz, emplaste y materiales similares. No deben emplearse para el tratamiento de metales o materiales que contengan amianto.

Por motivos de seguridad eléctrica, la máquina no debe mojarse ni utilizarse en entornos húmedos. La máquina solo puede utilizarse para el lijado en seco.

 El usuario será responsable de cualquier utilización indebida.

### Datos técnicos

Lijadora orbital	DTS 400 REQ	RTS 400 REQ
Potencia	250 W	250 W
Número de revoluciones (marcha en vacío)	6000 - 12000 min <sup>-1</sup>	6000 - 12000 min <sup>-1</sup>
Numero de revoluciones max. <sup>1</sup>	16000 min <sup>-1</sup>	16000 min <sup>-1</sup>
Órbita	5/64" (2.0 mm)	5/64" (2.0 mm)
Zapata	4" x 6" (100 x 150 mm)	3-5/32" x 5-1/4" (80 x 130 mm)
Peso (sin cable de red, con zapata)	2,6 lbs (1,2 kg)	2,6 lbs (1,2 kg)

<sup>1</sup> Número de revoluciones máx. posible con el sistema electrónico defectuoso.

## Descripción de las funciones

Las imágenes con la dotación de suministro se encuentran en una hoja desplegable al comienzo de este manual de instrucciones. Cuando lea este manual, le recomendamos que despliegue esta página para disponer fácilmente de una vista general de la máquina.

- [1-1] Interruptor de conexión y desconexión
- [1-2] Conexión plug it
- [1-3] Regulación del número de revoluciones
- [1-4] Racor de aspiración

- [1-5] Zapata
- [1-6] Protector
- [1-7] Saco para polvo Longlife
- [1-8] Adaptador para saco para polvo
- [1-9] Empuñadura (superficies de agarre con aislamiento)

Los accesorios representados o descritos no forman parte íntegra de la dotación de suministro.

## Puesta en servicio



### ADVERTENCIA

#### Tensión o frecuencia no permitida

#### Peligro de caída

- ▶ La tensión de red y la frecuencia de la red eléctrica deben coincidir con los datos que figuran en la placa de tipo.
- ▶ En Norteamérica sólo las máquinas Festool pueden utilizarse con una tensión de 120 V/60 Hz



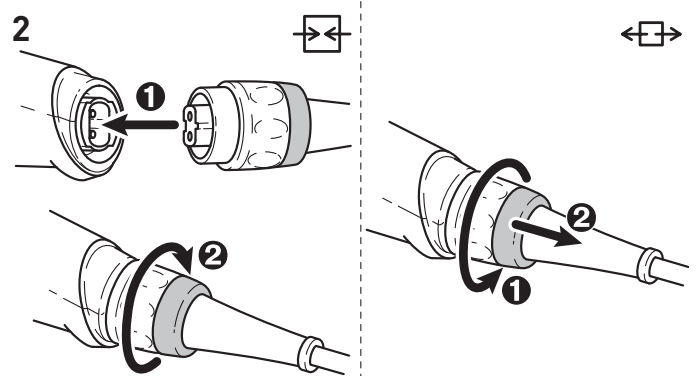
### ATENCIÓN

#### Calentamiento de la conexión plug-it porque el cierre de bayoneta no está completamente bloqueado

#### Peligro de quemaduras

- ▶ Antes de conectar la herramienta eléctrica, asegurarse de que el cierre de bayoneta del cable de conexión a la red eléctrica esté completamente cerrado y bloqueado.

Ver la figura [2] para enchufar y desenchufar el cable de conexión - a la red.



El interruptor [1-1] sirve como interruptor de conexión y desconexión (I = CONECTADO, 0 = DESCONECTADO).

- ① En caso de corte de corriente o al retirar el enchufe, colocar el interruptor de conexión y desconexión inmediatamente en la posición de desconexión. Esto impide que la máquina se vuelva a conectar de forma incontrolada.

## Ajustes



### ADVERTENCIA

#### Peligro de lesiones y electrocución

- ▶ Desconectar el enchufe de la toma de corriente antes de realizar cualquier trabajo en la máquina.

### Sistema electrónico

#### Arranque suave

El arranque suave mediante control electrónico garantiza una puesta en marcha de la máquina sin sacudidas.

### Número de revoluciones constante

El número preseleccionado de revoluciones del motor se mantiene constante gracias a un sistema electrónico. De esta manera se alcanza una velocidad de lijado constante si la herramienta se utiliza conforme a las especificaciones (fuerza de aplicación adecuada).

### Regular el número de revoluciones

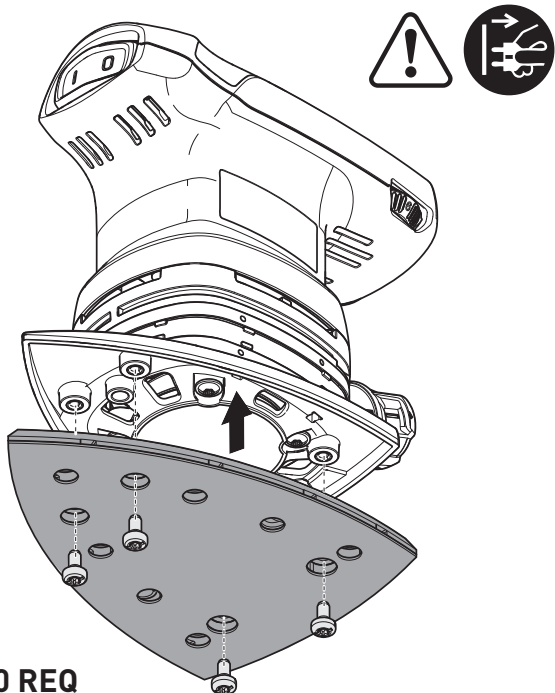
Con la rueda de ajuste [1-3] se puede variar el número de revoluciones entre  $6000 \text{ min}^{-1}$  y  $12000 \text{ min}^{-1}$

De esta forma, la velocidad de lijado se puede adaptar perfectamente a cada material (véase el capítulo Trabajo con la máquina).

### Cambiar la zapata [3]

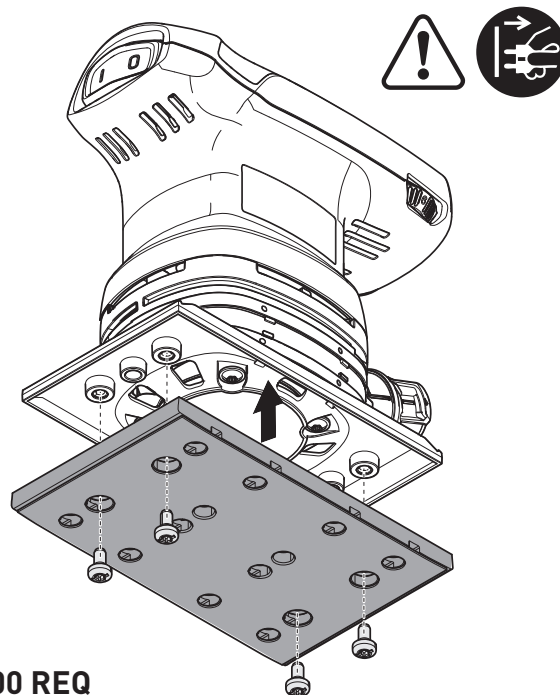
⚠ Solo se conseguirá un resultado óptimo si se utilizan los accesorios y material de consumo originales. Si no se instalan accesorios o material de consumo originales, se extinguirá el derecho a la garantía.

3



DTS 400 REQ

3



RTS 400 REQ

Cuando la capa StickFix de la zapata esté desgastada, puede sustituirse la zapata entera:

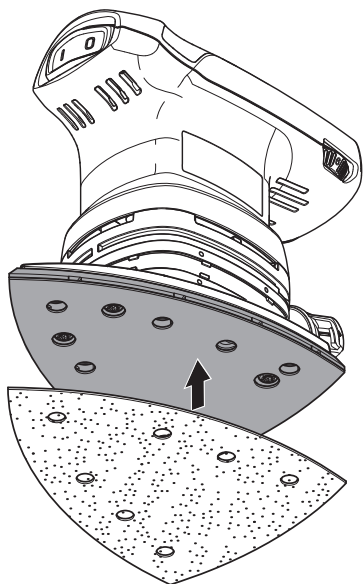
- 1 Aflojar los cuatro tornillos.
- 2 Extraer la zapata hacia abajo.
- 3 Colocar la zapata nueva.
- 4 Fijar la zapata apretando manualmente los cuatro tornillos (2,5 Nm).

## Fijar los accesorios de lijado con StickFix [4]

Los abrasivos StickFix y los vellones de lijar Stick-Fix adecuados se pueden fijar de forma rápida y sencilla en la zapata StickFix.

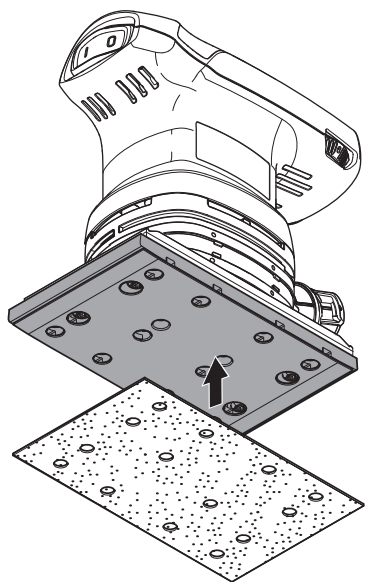
- ▶ Presionar el accesorio de lijado autoadhesivo sobre la zapata.

4



DTS 400 REQ

4



RTS 400 REQ

## Aspiración



### ADVERTENCIA

#### Consecuencias perjudiciales para la salud a causa del polvo

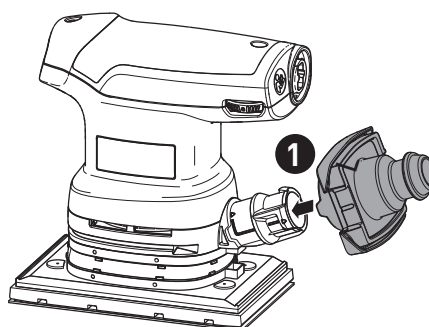
- ▶ El polvo puede ser perjudicial para la salud. Por este motivo, no trabaje nunca sin aspiración.
- ▶ Durante la aspiración de polvo perjudicial para la salud, respete siempre las normativas nacionales.

#### Autoaspiración con el saco para polvo Longlife

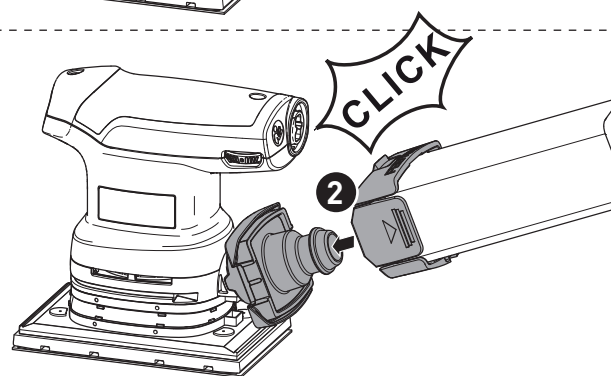
Las lijadoras vienen equipadas de serie con un sistema de autoaspiración. El polvo de lijado se aspira a través de las aberturas de aspiración de la zapata y se recogen en el saco para polvo.


#### Montaje del saco para polvo [5]

- 1 Introducir el adaptador para el saco para polvo en el racor de aspiración.
- 2 Introducir el saco para polvo en el adaptador hasta que encaje.

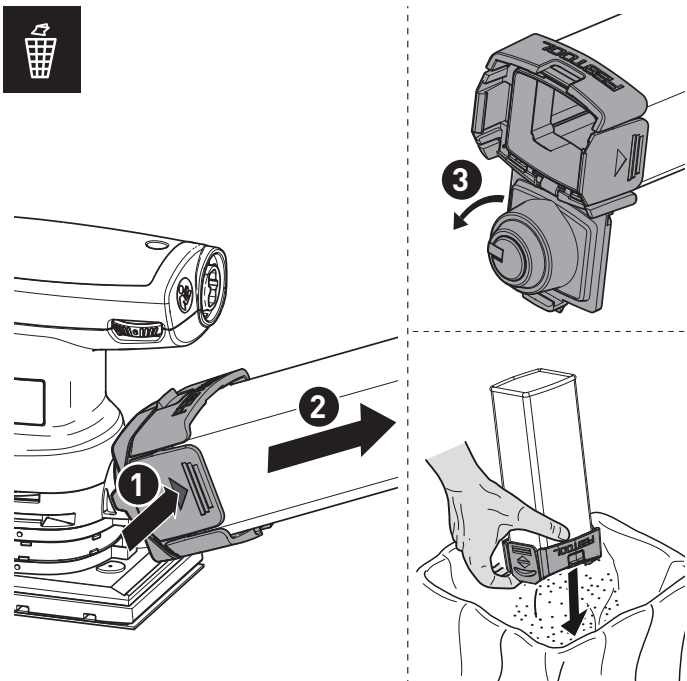


5



 Vaciar el saco para polvo cuando disminuya el rendimiento de aspiración.

- 1 Comprimir los elementos de accionamiento del saco para polvo.
- 2 Extraer el saco para polvo hacia atrás.
- 3 Abrir la tapa del saco para polvo.
- 4 Vaciar el saco para polvo y eliminar los residuos.



### Aspiración con el aspirador Festool

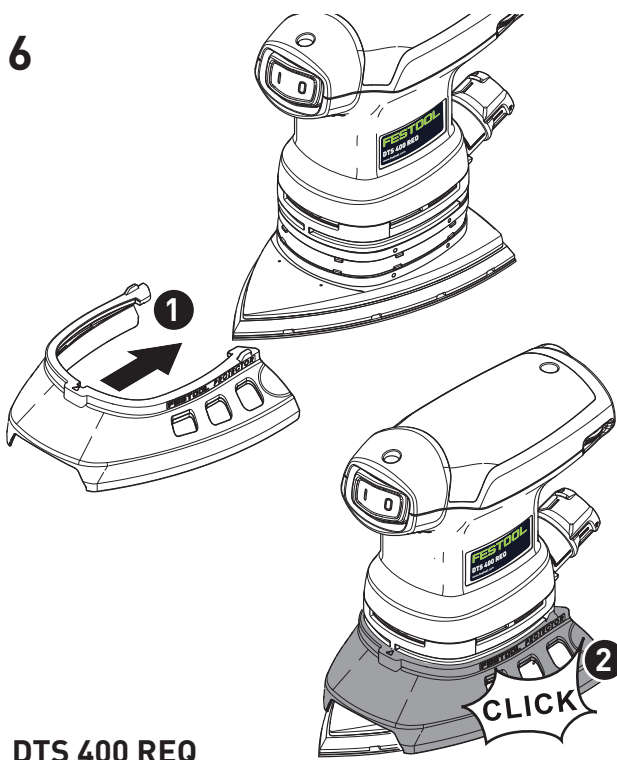
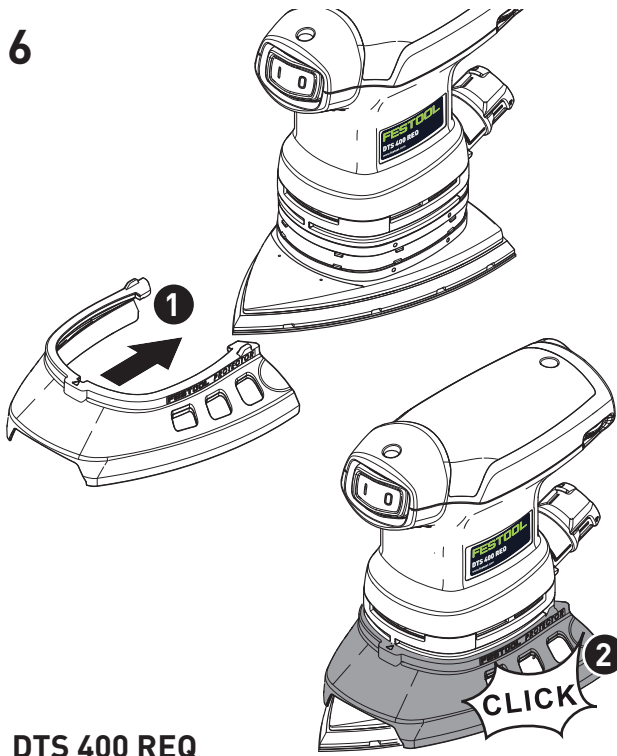
Para evitar tener que vaciar con frecuencia el saco para polvo en trabajos de lijado prolongados, puede conectarse un aspirador Festool con un diámetro de tubo flexible de aspiración de 27 mm en el racor de aspiración [1-4].

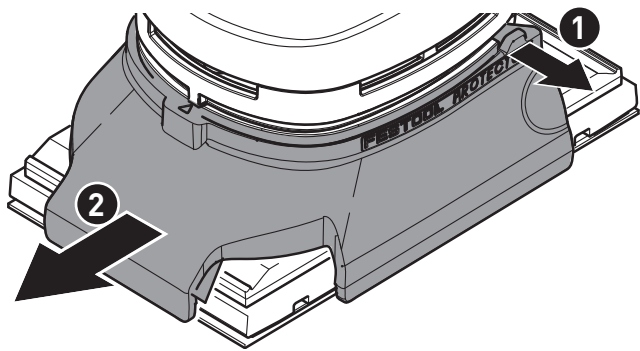
**Recomendación:** utilizar tubos flexibles de aspiración antiestáticos, pues reducen la carga electrostática.

### Protección de cantos (Protector) [6]

La protección de cantos [1-6] evita que el perímetro de la zapata toque la superficie (p. ej. al lijar una

pared o una ventana) y de que se produzca un contragolpe de la máquina o se produzcan daños.





## Trabajo con la máquina



### ADVERTENCIA

#### Peligro de lesiones

- Fije la pieza de trabajo siempre de forma que no se pueda mover cuando se trabaje con ella.

#### Tenga en cuenta las siguientes advertencias:

- ¡No sobrecargue la máquina aplicando demasiada presión! Los mejores resultados de lijado se consiguen aplicando una presión moderada. La calidad y el rendimiento de lijado dependen fundamentalmente de la elección del abrasivo adecuado.
- El trabajo en esquinas y cantos conlleva un esfuerzo localizado en la punta y una gran generación de calor. Por ello, trabaje ejerciendo poca presión.
- Para guiar la máquina con seguridad, sujétela con una mano en la empuñadura [1-9].

Para los trabajos de lijado recomendamos situar la rueda de ajuste [1-3] en las posiciones siguientes:

Trabajos de lijado	Nivel de la rueda de ajuste
- Lijado con la máxima abrasión	5-6
- Lijado de pinturas antiguas	
- Lijado de madera y enchapado antes del barnizado	
- Lijado intermedio de barniz en superficies	

#### Trabajos de lijado

#### Nivel de la rueda de ajuste

- Lijado de aplicaciones finas de masilla tapaporos	4-5
- Lijado de madera con vellón de lijar	
- Achaflanado en piezas de madera	
- Alisado de superficies de madera imprimadas	
- Lijado de cantos de madera maciza y enchapada	3-4
- Lijado en el renvalso de ventanas y puertas	
- Lijado intermedio de barniz en cantos	
- Rectificado de ventanas de madera natural con vellón de lijar	
- Alisado de superficies de madera con vellón de lijar antes del barnizado	
- Eliminación o despegado de cal en pasta sobrante con vellón de lijar	
- Lijado intermedio de barniz en superficies barnizadas	2-3
- Limpieza de renvalsos de ventanas de madera natural con vellón de lijar	
- Lijado de cantos barnizados	1-2
- Lijado de plásticos termoplásticos	

## Mantenimiento y cuidado



### ADVERTENCIA

**Cualquier trabajo de mantenimiento o reparación que requiera abrir el motor o la carcasa del engranaje deberá ser realizado únicamente por un Centro de Atención al Cliente (nombre proporcionado por su concesionario).**

- ▶ Los trabajos de mantenimiento o reparación realizados por una persona no autorizada podrían provocar la conexión incorrecta de los conductores de alimentación u otros componentes, lo que a su vez podría provocar accidentes con consecuencias graves.



### ATENCIÓN

**Algunos productos de limpieza y disolventes resultan perjudiciales para las piezas de plástico.**

- ▶ Algunos de ellos incluyen, entre otros, gasolina, acetona, metiletilacetona (MEK) y oxiclóruo de carbono. Los productos de limpieza normalmente contienen cloro y amoníaco y los productos de limpieza del hogar contienen amoníaco.



### ADVERTENCIA

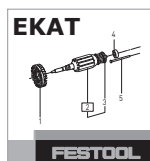
#### **Peligro de lesiones, electrocución**

- ▶ Extraiga siempre la batería de la máquina antes de realizar cualquier trabajo de mantenimiento y conservación.
- ▶ Todos los trabajos de mantenimiento y reparación que exijan abrir la carcasa del motor tan sólo pueden ser llevados a cabo por un taller autorizado.



El **Servicio de atención al cliente y reparaciones** solo está disponible por parte del fabricante o de los talleres de reparación. Encuentre la dirección más próxima a usted en:

[www.festoolusa.com/service](http://www.festoolusa.com/service)



Utilice únicamente piezas de recambio Festool originales. Referencia en: [www.festoolusa.com/service](http://www.festoolusa.com/service)

La máquina está equipada con escobillas especiales autodesconectables. Si las escobillas están desgastadas, se interrumpe automáticamente la corriente y la máquina se detiene.

A fin de garantizar una correcta circulación del aire, las aberturas para el aire de refrigeración dispuestas en la carcasa del motor deben mantenerse libres y limpias.

Si se observa una disminución del rendimiento o un aumento de las vibraciones, soplar y limpiar las aberturas para el aire de refrigeración.

## Accesorios

Utilice únicamente los accesorios Festool originales y el material de consumo Festool diseñados para esta máquina, puesto que los componentes de este sistema están óptimamente adaptados entre sí. La utilización de accesorios y material de consumo de otros fabricantes puede afectar a la calidad de los resultados de trabajo y conllevar una limitación de los derechos de la garantía. El desgaste de

la máquina o de su carga personal puede variar en función de la aplicación. Utilice únicamente accesorios originales y material de consumo de Festool para su propia protección y la de la máquina, así como de los derechos de la garantía.

Los números de pedido para los respectivos accesorios y herramientas se encuentran en su catálogo.



go Festool o en la dirección de Internet "www.festoolusa.com".

## Systainer

Muchos de los productos Festool se entregan en un embalaje exclusivo denominado "Systainer" que sirve de protección a la herramienta y sus complementos, además de facilitar su almacenamiento. Los Systainer pueden apilarse y encajan unos con otros. Además se adaptan sin problema a cualquier aparato de aspiración CT de Festool.

### Para abrir el Systainer



Gire el T-loc [7-1] a esta posición.

### Para cerrar el Systainer



Gire el T-loc [7-1] a esta posición.

### Para encajar dos Systainer

Ponga el Systainer sobre un otro (Fig. [7 A]).



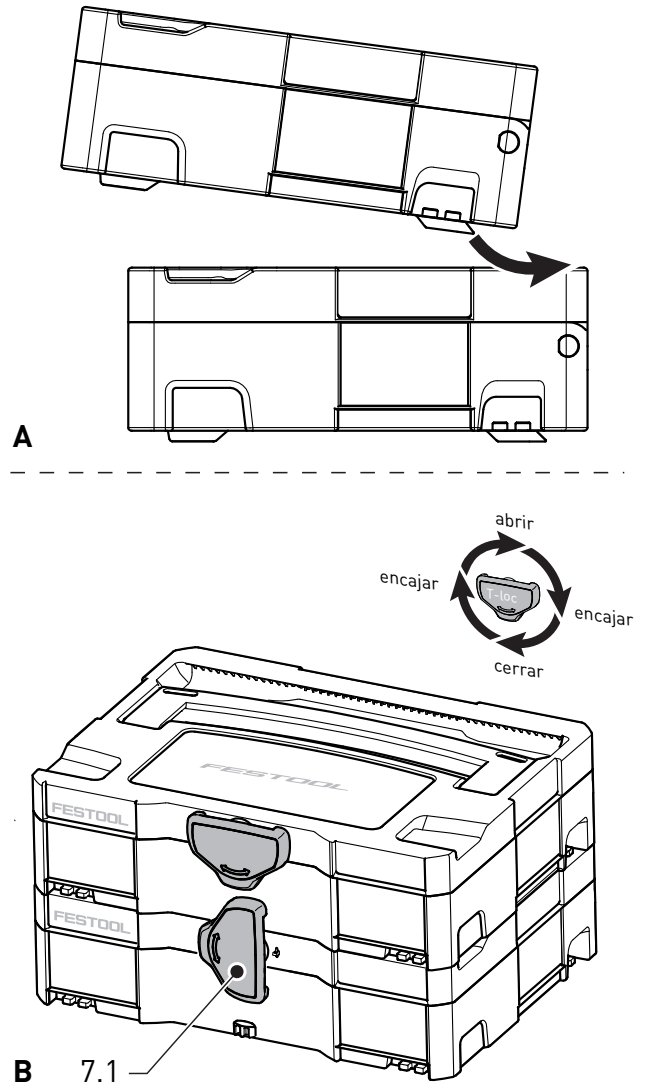
Gire el T-loc [7-1] a una de estas posiciones (Fig. [7 B]).

Los Systainers están encajados y cerrados.

① Un Systainer de la nueva generación es encajable encima de un Systainer de la generación anterior con los cuatro enganches del Systainer anterior.

terior con los cuatro enganches del Systainer anterior.

7



## Medio ambiente

**No deseche la herramienta junto con los residuos domésticos.** Recicle las herramientas, accesorios y

embalajes de forma respetuosa con el medio ambiente. Respete la normativa vigente del país.