

Festool GmbH  
Wertstraße 20  
73240 Wendlingen  
Germany

# FESTOOL

www.festoolusa.com

## **Instruction manual - Dust extractor**

Page 6

**IMPORTANT:** Read all instructions before using.

## **Guide d'utilisation - Aspirateur**

Page 16

**IMPORTANT:** Lire toutes les instructions avant de démarrer les travaux.

## **Manual de instrucciones - Sistemas móviles de aspiración**

Página 27

**IMPORTANTE:** Lea todas las instrucciones antes de usar.

**Instruction manual  
Guide d'utilisation  
Manual de instrucciones**

# CT SYS HEPA

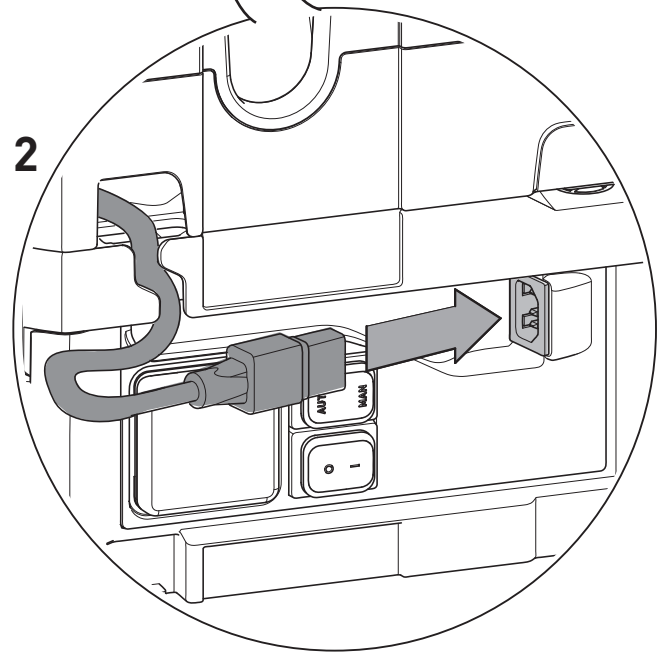
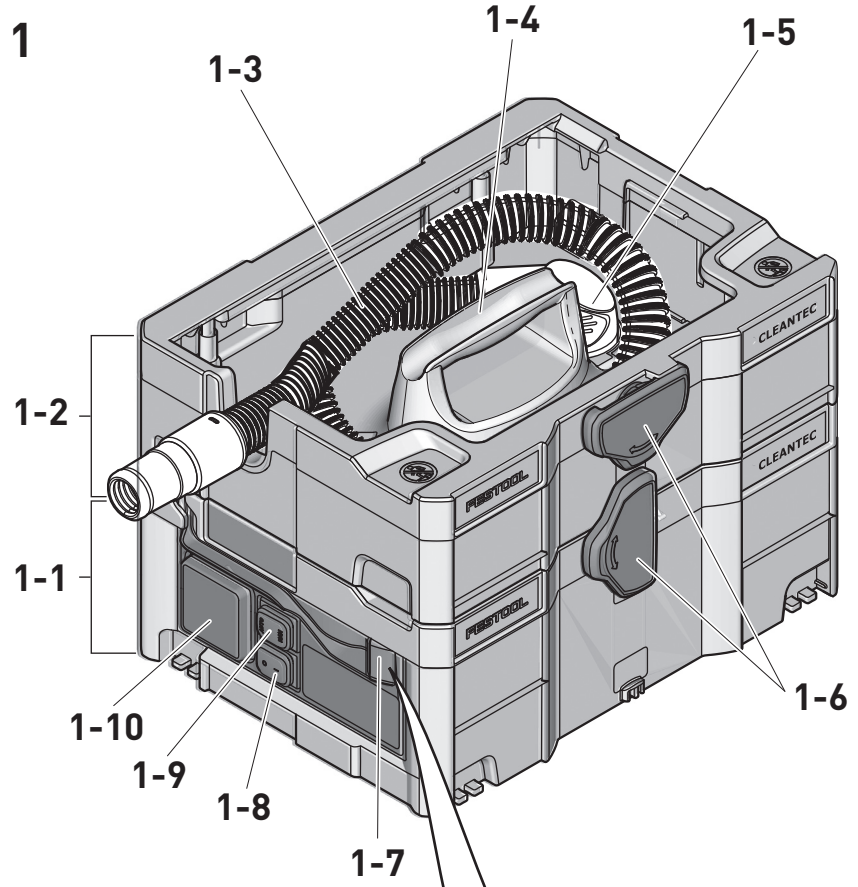


708070\_002























## Original operating manual

Symbols .....	6	Connecting electric power tools .....	11
About this manual .....	7	Connecting the suction hose.....	11
Safety instructions.....	7	Settings .....	12
IMPORTANT SAFETY INSTRUCTIONS .	7	Connect with the T-Loc .....	12
GROUNDING INSTRUCTIONS .....	8	Use/Adjust carrying strap .....	12
Further safety instructions .....	9	Temperature monitoring .....	13
Health hazard by dust .....	9	The antistatic system .....	13
Intended use .....	9	Working with the dust extractor .....	13
Technical data.....	10	Service and maintenance.....	14
Functional description.....	10	Changing the filter bag.....	15
Operation .....	10	Changing the filter element [9].....	15
Extension Cord.....	10	Transport.....	15
Connect dust extractor .....	11	Environment .....	15

## Symbols




Sym- bol	Significance
	Warning of general danger
	Risk of electric shock
	Read operating instructions and safety notices!
	Wear a dust mask.
	Tip or advice
	Handling instruction
	<b>Warning!</b> The machine may contain hazardous dust!
	Climbing prohibited
	Do not leave in the rain!
	Do not absorb any water or liquids!
	Risk of tilting!



Sym- bol	Significance
W	watt
h	hour
min	minutes
s	seconds
kg	kilograms
Pa	pascal
dB	decibel
V	volts
A	amperes
Hz	hertz
~ a.c.	alternating current
--- d.c.	direct current
$n_0$	no load speed
	Class II construction
rpm	revolutions per minute
$\text{min}^{-1}$	revolutions per minute
"	inch
lbs.	pound
$\varnothing$	diameter

## About this manual

### Save these instructions

It is important for you to read and understand this manual. The information it contains relates to protecting **your safety** and **preventing problems**. The symbols below are used to help you recognize this information.

 DANGER	Description of imminent hazard and failure to avoid hazard will result in death.
 WARNING	Description of hazard and possible resulting injuries or death.
 CAUTION	Description of hazard and possible resulting injuries.

 NOTICE	Statement including nature of hazard and possible result.
 HINT	Indicates information, notes, or tips for improving your success using the tool.

## Safety instructions




# IMPORTANT SAFETY INSTRUCTIONS

When using an electrical appliance, basic precautions should always be followed, including the following:

### READ ALL INSTRUCTIONS

### BEFORE USING THIS DUST EXTRACTOR:

-  **WARNING** - To reduce the risk of fire, electric shock, or injury:
  - Do not leave the dust extractor when plugged in. Unplug from outlet when not in use and before servicing.
- WARNING** - to Reduce the Risk Of Electric Shock - Do not use outdoors or on wet surfaces.
- Do not allow to be used as a toy. Close attention is necessary when used by or near children.
- Use only as describes in this manual. Use only manufacturer's recommended attachments.
- Do not use with damaged cord or plug. If the dust extractor is not working as it should, has been dropped, damaged, left outdoors, or dropped into water, return it to a service center.
- Do not pull or carry by cord, use cord as a handle, close a door on cord, or pull cord around sharp edges or corners. Do not run dust extractor over cord. Keep cord away


from heated surfaces.

- Do not unplug by pulling on cord. To unplug, grasp the plug, not the cord.
- Do not handle plug or dust extractor with wet hands.
- Do not put any object into openings. Do not use with any opening blocked; keep free of dust, lint, hair, and anything that may reduce air flow.
- Keep hair, loose clothing, fingers, and all parts of body away from openings and moving parts.
- Turn off all controls before unplugging.
- Use extra care when cleaning on stairs.
- Do not use to pick up flammable or combustible liquids, such as gasoline, or use in areas where they may be present.
- Connect to a properly grounded outlet only. See Grounding instructions.
- Do not pick up anything that is burning or smoking, such as cigarettes, matches, or hot ashes.
- Do not use without dust bag and/or filters in place.

## SAVE THESE INSTRUCTIONS

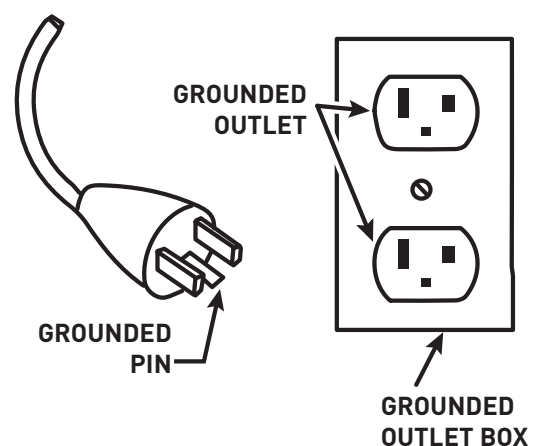
### GROUNDING INSTRUCTIONS

This appliance must be grounded. If it should malfunction or breakdown, grounding provides a path of least resistance for electric current to reduce the risk of electric shock. This dust extractor is equipped with a cord having an equipment-grounding conductor and grounding plug. The plug must be inserted into an appropriate outlet that is properly installed and grounded in accordance with all local codes and ordinances.

 **WARNING** - Improper connection of the equipment grounding conductor can result in a risk of electric shock. Check with a qualified electrician or service person if you are in doubt as to whether the outlet is properly grounded. Do not modify the plug provided with the dust extractor - if it will not fit the outlet, have a proper outlet installed by a qualified electrician.

This appliance is for use on a nominal 120-V circuit and has a grounding attachment plug that looks like the plug illustrated in sketch A in Figure beside. Make sure that the appliance is connected to an outlet having the same configuration as the plug. No adaptor should be used with this appliance.

**GROUNDING METHODS - SKETCH A**





## Further safety instructions

- This appliance must not be used by persons (including children) with reduced physical, sensory or mental capabilities, or lack of experience and knowledge. **Children** need to be supervised to ensure they do not play with the appliance.



### WARNING

**This machine is for dry use only.**



### CAUTION

**This machine is for indoor use only.  
This machine shall be stored indoors only.**

## Health hazard by dust



**WARNING!** Various dust created by power sanding, sawing, grinding, drilling and other construction activities contains chemicals known (to the State of California) to cause cancer, birth defects or other reproductive harm. Some examples of these chemicals are:

- lead from lead-based paints,
- crystalline silica from bricks and cement and other masonry products, and
- arsenic and chromium from chemically treated lumber.



The risk from these exposures varies, depending on how often you do this type of work. To reduce your exposure to

these chemicals: work in a well ventilated area, and work with approved safety equipment, such as dust masks that are specially designed to filter out microscopic particles. Wash hands after handling.



### WARNING

**TO REDUCE THE RISK OF INJURY, USER MUST READ INSTRUCTION MANUAL.**

## Intended use

Dust extractor suitable for

- Extracting non-hazardous dust, dirt, sand and chips,
- for increased loads during commercial use, according to IEC/EN 60335-2-69.

The filtering performance of the overall unit, which is fitted with a HEPA filter element, corresponds to

HEPA quality H 13 (medium degree of filtration 99.95%).

Dust extractor **not recommended** for continuous aspiration and extraction of fine dust, such as cement dust or filler.

Dust extractor **not** suitable for extracting water and liquids.



The user is liable for improper or non-intended use.

## Technical data

### Dust extractor

Power consumption		8.3 A
Maximum appliance socket connected load		12 A
Max. suction capacity (air), extractor/turbine		108 m³/h / 180 m³/h
Max. vacuum, turbine		96 static water lift (200 hPa)
Filter surface area		4.08 ft² (3786 cm²)
Suction hose		D 1 1/16 x 3/32" (D 27 mm x 3.0 m-AS)
Length of the net cable		16.4 ft (5.0 m)
Sound pressure level as per EN 60704-2-1 / Uncertainty K		67 dB(A) / 3 dB
Protection class		IP X0
Container capacity		1.19 gal. (4.5 l)
Dimensions L x W x H	only CT SYS HEPA	15.6 x 11.7 x 6.2" (396 x 296 x 162 mm)
	CT SYS HEPA with storage box	15.6 x 11.7 x 10.6" (396 x 296 x 270 mm)
Weight	CT SYS HEPA with storage box	15.2 lbs. (6.9 kg)

## Functional description


The pictures for the functional description are on a fold-out page at the beginning of the instruction manual. When reading of the manual you can fold out this page for having always an overview of the machine.

- [1-1]** Dust extractor
- [1-2]** Storage box
- [1-3]** Extractor hose

- [1-4]** Handle
- [1-5]** Angle adapter
- [1-6]** T-LOC latch for Systainers
- [1-7]** Cold-device plug
- [1-8]** On/Off switch
- [1-9]** AUTO/MAN switch
- [1-10]** Appliance socket

## Operation

Consider the pictures on the fold-out page.



**WARNING**

**Unauthorised voltage or frequency!**

**Risk of accidents**

- ▶ Observe the specifications on the machine's name plate.
- ▶ Observe country-specific regulations.

### Extension Cord

If an extension cord is required, it must have suffi-

cient cross-section to prevent an excessive drop in voltage or overheating. An excessive drop in voltage reduces the output and can lead to failure of the motor. The table below shows you the correct cord diameter as a function of the cord length for this tool.

Total Extension Cord Length (feet)	25	50	100	150
Cable size (AWG)	18	16	14	12

Use only U.L. and CSA listed extension cords.

Never use two extension cords together. Instead,

use one long one.

- ① The lower the AWG number, the stronger the cord.

## Connect dust extractor



### WARNING

#### Risk of injury from tools starting up unexpectedly

- ▶ Before switching on ensure that the connected tool is switched off.
- ▶ Insert the mains power cable in the cold-device connector [2] and in an earthed socket.
- ▶ Lay the mains cable through the recess [2].

The switch [1-8] serves as an on/off switch.

Using the [1-9] switch, switch between the AUTO and MAN settings.

#### "MAN" switch position

Appliance socket [1-10] is not connected to the power, the dust extractor starts.

#### "Auto" switch position

Appliance socket [1-10] is connected to the power, the dust extractor starts when the connected tool is switched on.



Pull the plug from the socket when the machine is not in use and prior to maintenance and cleaning work.

## Connecting electric power tools



### WARNING

#### Risk of injury

- ▶ Observe the maximum appliance socket connected load (see chapter "Technical data")
- ▶ Switch off the electric power tool.

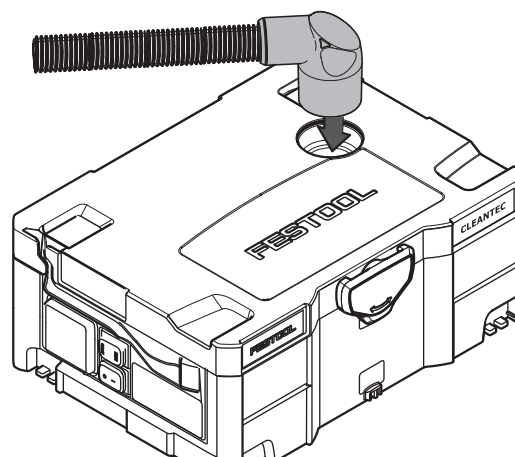
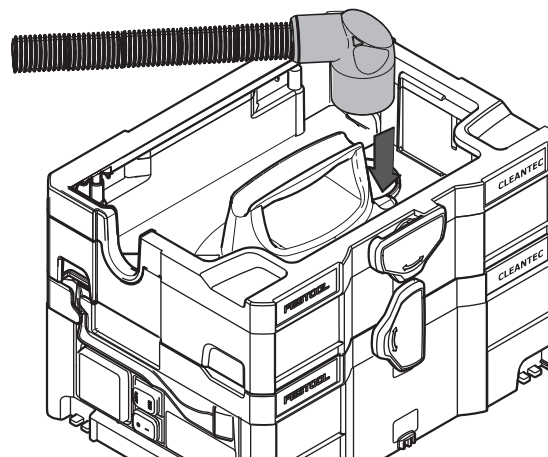
– Always use the socket on the machine for the purpose specified!

- ▶ Connect the electric power tool to the appliance socket [1-10].

## Connecting the suction hose

### at the extraction opening [3]

- ▶ Connect the suction hose to the elbow at the extraction opening.

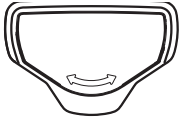
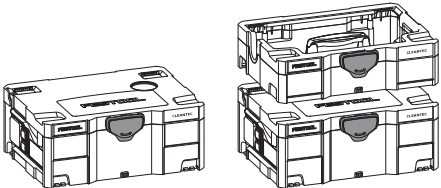

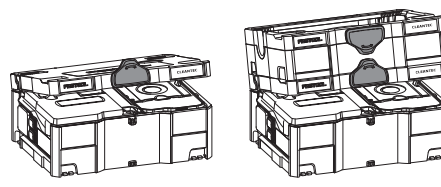
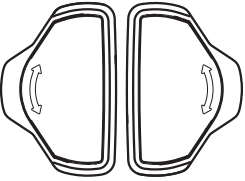
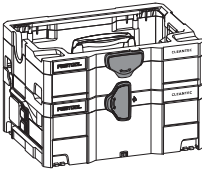



3

## Settings

### Connect with the T-Loc

The dust extractor can be closed, opened and connected by turning the T-Loc:

Close dust extractor		
Open dust extractor		
Connect dust extractor to storage box		

 Before lifting, always close the T-Loc at the dust extractor or connect to the storage box and check for secure holding.

Max. load for connection to other Systainers: 44.09 lbs. (20 kg)

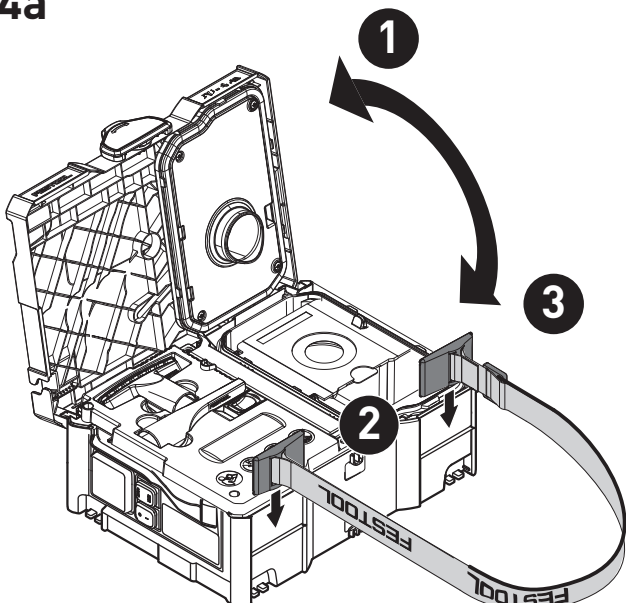
### Use/Adjust carrying strap

Max. permissible load of carrying strap: 44.09 lbs. (20 kg)

The carrying strap can be attached in two different positions:

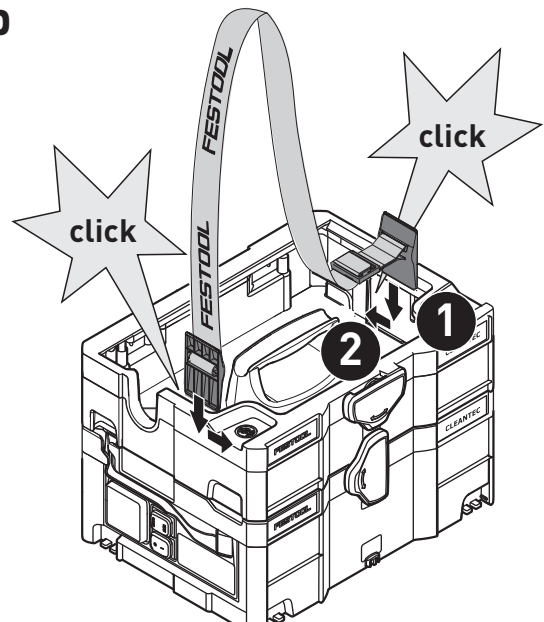
- **Carrying the dust extractor:** Carrying strap at dust extractor [4a]


**4a**



- **Carrying storage box with dust extractor:** Carrying strap at storage box [4b]

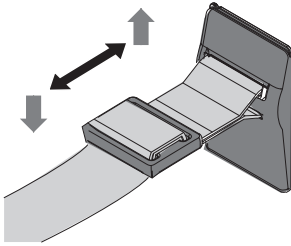
**4b**



 Before lifting, check the carrying strap for proper functionality and put T-loc at dust extractor into corresponding position.

Adjust the length of the carrying strap at the adjusting tab **[4c]**.

**4c**



## Temperature monitoring

Before reaching a critical temperature, the temperature monitor switches off the dust extractor.

► Switch off the dust extractor, allow to cool for about 5 minutes, then switch on again.

ⓘ Not possible to switch on: Contact Festool customer service workshop.

## The antistatic system

Friction inside the extraction hose causes static electricity to develop during extraction. Operating personnel may receive unpleasant electric shocks while working. The mobile dust extractor is fitted with an antistatic system as standard to discharge any static electricity that may develop. However, always use the enclosed antistatic extraction hose.

## Working with the dust extractor

### **WARNING**

**Not suitable to vacuum hazardous or toxic substances or dusts e.g. asbestos.**

► The filters will not be able to capture all particles and may exhaust them back into the environment.

### **CAUTION**

**Hazardous dust  
Damage to the respiratory passage**

► Always use a filter bag!

ⓘ Two cleaning nozzles are stored in the inside of the dust extractor **[5-1]**.

– Risk of tilting, do not place on sloped areas!

**Observe the following instructions:**

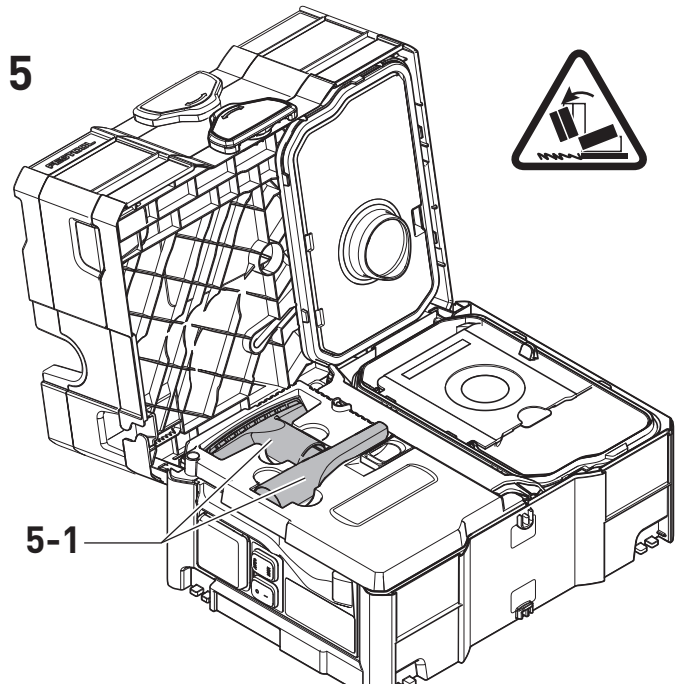
– **Risk of explosion and fire: Do not absorb:**

- Sparks or hot dust;
- Combustible or explosive materials (e.g. magnesium, aluminium, petrol, diluting agents);
- Aggressive materials (e.g. acid, alkaline solutions, solvents);
- Chemically reactive materials, which lead to the generation of heat, acids/bases, gases,

etc. (e.g. reactive 2-component materials, aluminium and water).

– Observe all national safety regulations as well as the material manufacturer's specifications!

**5**



– Do not lift or transport using a crane hook or lifting gear!

– Always use suitable protective equipment!

– If intact following a visual inspection, work in a dry environment according to instructions!

– The dust extractor is a stationary system and not suitable for pulling at the cable and hose. Use handle **[1-4]**.

- Static charge may occur if an anti-static suction hose is not used. The user may suffer an electric shock.

**Please note the following after the work:**

- ▶ Switch off the dust extractor and pull out the mains plug.
- ▶ Wind up the mains power cable.

- ▶ Empty the dirt trap.
- ▶ Place suction hose **[1-3]** and mains power cable in storage box.
- ▶ Clean inside and outside of dust extractor by applying vacuum and wipe.
- ▶ Place the dust extractor in a dry room inaccessible to unauthorised users.

## Troubleshooting

### Flow noise during dust extraction

Automatic bypass: A valve opens that supplies the turbine with cooling air:

cause	Blocked filter element, filter bag full or blocked suction hose
Solution	Empty container, replace or clean filter element, replace filter bag, check suction hose for blockage and remove, if necessary

## Service and maintenance



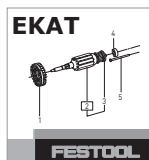
### WARNING

**Any maintenance or repair work that requires opening of the motor or gear housing should only be carried out by an authorised Customer Service Centre (name supplied by your dealer)!**

- ▶ Maintenance or repair work carried out by an unauthorised person can lead to the wrong connection of the power cord or other components, which in turn can lead to accidents with serious consequences.



**Customer service and repair** only through manufacturer or service workshops: Please find the nearest address at: [www.festoolusa.com/service](http://www.festoolusa.com/service)



Use only original Festool spare parts! Order No. at: [www.festoolusa.com/service](http://www.festoolusa.com/service)



### WARNING

**To prevent accidents, always remove the plug from the power supply socket before carrying out any changes or maintenance work on the tool!**

- ▶ Do not use compressed air to clean the electrical tool! Do not try to clean parts inside the tool in this way, as you could let foreign objects in through the openings of the tool housing.

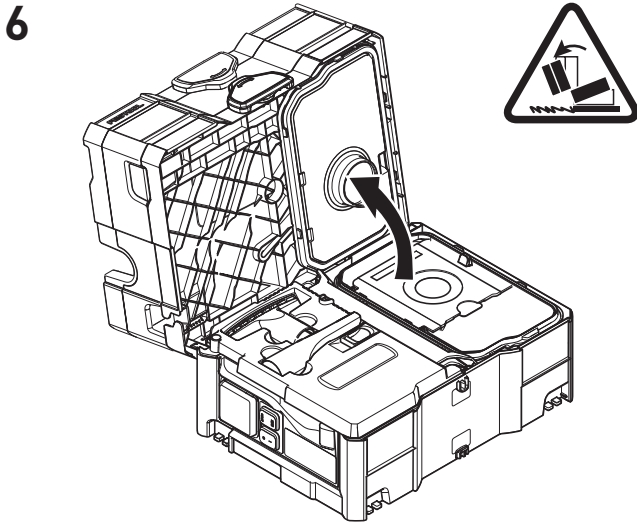
- ▶ Regularly replace the filter bag and clean the container and seals.

**Observe the following instructions:**

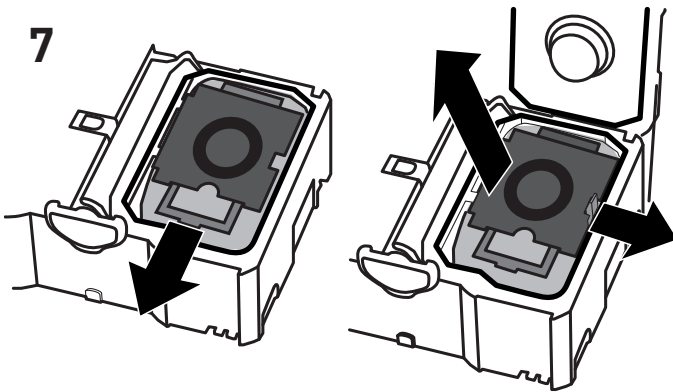
- The manufacturer or an instructed person must perform a dust test at least once a year to determine whether the filter is damaged, the machine is sealed properly and the monitoring features are functioning correctly.
- Anything that cannot be cleaned must be discarded in impermeable bags. Observe applicable disposal regulations!

## Changing the filter bag

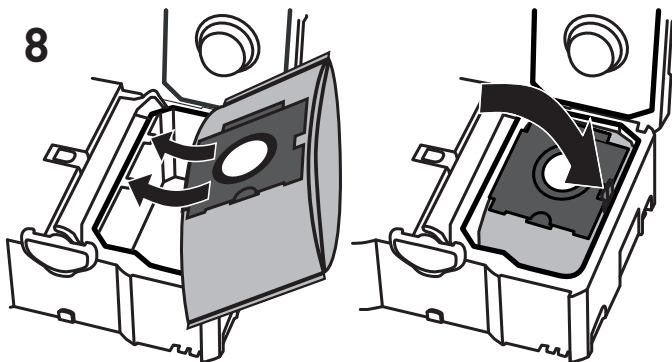
- ▶ Open dust extractor with T-Loc [6]. **Attention: Risk of tilting!**



- ▶ Changing the filter bag:
  - ▶ Remove filter bag [7].



- ▶ Insert a filter bag [8].



- ▶ Close dust extractor with T-Loc.

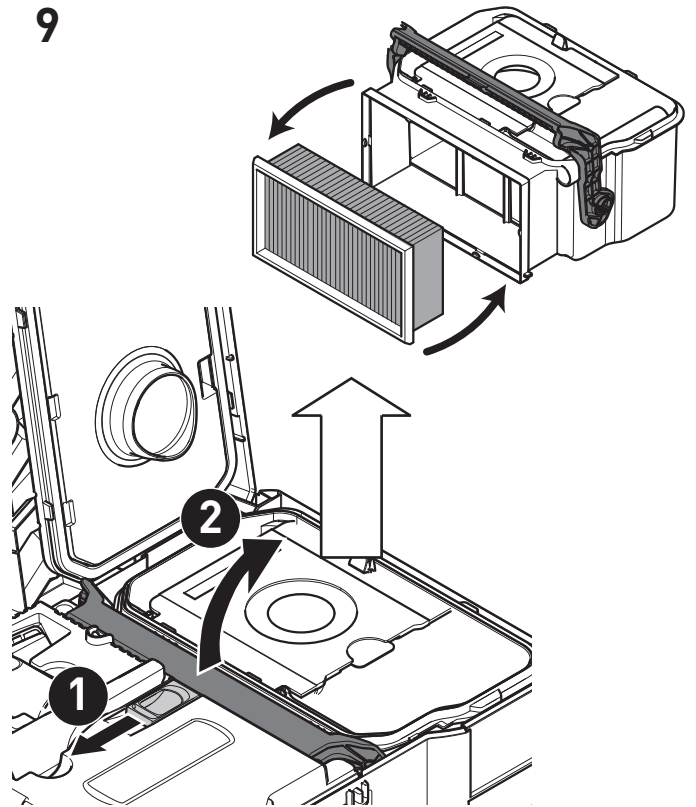
## Changing the filter element [9]

### NOTE

#### Motor damage

- ▶ Never operate the extractor without a filter element fitted as the motor may become damaged.

9



- ▶ Open dust extractor with T-Loc [6]. **Attention: Risk of tilting!**
  - ▶ Unlock and fold down lever.
  - ▶ Remove container upwards.
  - ▶ Remove used filter element and replace with a new one.
  - ▶ Dispose of the used filter element in accordance with statutory regulations.
  - ▶ Clean container and seals.
  - ▶ Insert container. Fold up and lock lever.
  - ▶ Close dust extractor with T-Loc.
- ⓘ The order numbers for accessories, filters and consumables can be found in the Festool catalogue or on the internet at [www.festoolusa.com](http://www.festoolusa.com).

## Transport

### Observe the following instructions:

- Before transportation, always close the T-Loc at the dust extractor or connect to the storage box.
- For transportation in vehicles, secure the device against slipping and tilting in accordance with the valid guidelines.












## Environment


**Do not dispose of the device as domestic waste!** Dispose of machines, accessories and packaging at an environmentally responsible recycling centre. Observe the respective national regulations.

## Sommaire

Symboles.....	16	Raccordement d'un outil électrique ....	21
À propos de ce manuel .....	17	Raccord du tuyau d'aspiration .....	21
Consignes de sécurité .....	17	Réglages .....	22
Importantes consignes de sécurité.....	17	Raccorder avec le T-LOC.....	22
INSTRUCTIONS DE MISE A LA TERRE	18	Utiliser/ régler la bretelle .....	23
Consignes de sécurité additionnelles .	19	Surveillance de la température .....	23
La poussière, un risque pour la santé	19	Système antistatique .....	23
Utilisation en conformité avec les instruc-		Travailler avec l'aspirateur.....	24
tions.....	20	Dépannage.....	25
Caractéristiques techniques.....	20	Entretien et maintenance .....	25
Description fonctionnelle.....	20	Remplacement du sac filtre.....	25
Mise en service .....	21	Remplacement de l'élément filtrant [9]	26
Rallonge électrique .....	21	Transport .....	26
Brancher l'aspirateur.....	21	Environnement .....	26

## Symboles

Symbole	Signification
	Avertissement de danger
	Avertissement contre le risque d'électrocution
	Notice d'utilisation, lire les consignes de sécurité !
	Porter une protection respiratoire !
	Astuce, information
	Consignes opératoires
	<b>Avertissement !</b> L'appareil peut contenir des poussières nocives pour la santé !
	Interdiction de monter dessus
	Ne pas exposer à des pluies.
	Ne pas aspirer d'eau ou de liquides.
	Risque de basculement.




Symbole	Signification
W	watt
h	heure
min	minute
s	seconde
kg	kilogramme
Pa	pascal
dB	décibel
V	volt
A	ampère
Hz	hertz
~ a.c.	tension alternative
--- d.c.	courant continu
$n_0$	Vitesse de rotation à vide
	Class II conception
.../min $\text{min}^{-1}$	tours ou course par minute
"	pouce
lbs.	livre
$\varnothing$	Diamètre





## À propos de ce manuel

### Conservez ces instructions

Il est important pour vous de lire et de comprendre ce manuel. Les informations qu'il contient, se rapporte à la protection **de votre sécurité** et **de prévention des problèmes**. Les symboles suivants sont utilisés pour vous aider à reconnaître cette information.

 DANGER	Description du risque imminent et l'incapacité à éviter tout risque qui peut entraîner la mort.
 AVERTISSEMENT	Description des dangers possibles et des blessures qui en résultent ou la mort.
 ATTENTION	Description des dangers et des éventuelles blessures qui en résultent.

 AVIS	Déclaration incluant le type de danger et conséquences possibles.
 CONSEIL	Indique des informations, des notes ou des conseils pour améliorer votre succès en utilisant l'outil.

## Consignes de sécurité



# Importantes consignes de sécurité

Lors de l'utilisation d'un outil électrique, respectez les mesures fondamentales de précaution, y compris les points suivants:

### LISEZ TOUTES LES INSTRUCTIONS

### AVANT D'UTILISER LE PRESENT ASPIRATEUR:

 **AVERTISSEMENT** - Afin de minimiser les risques d'incendie, de choc électrique et de blessures :

- Ne laissez pas l'aspirateur sans surveillance lorsque celui-ci est branché. Débranchez l'aspirateur mobile si vous ne l'utilisez pas et avant de procéder à sa maintenance.

- **AVERTISSEMENT** - Pour Réduire les Risques de Choc Électrique - Ne pas utiliser à l'extérieur et ne pas aspirer de déchets humides.

- N'autorisez pas une utilisation de l'aspirateur mobile en tant que jouet. Soyez particulièrement attentif lorsque l'aspirateur mobile est utilisé par des enfants ou à proximité d'enfants.

- Utilisez l'aspirateur mobile uniquement conformément aux explications de la no-


tice. Utilisez exclusivement les accessoires recommandés par le fabricant.

- N'utilisez pas l'aspirateur avec un câble ou une fiche mâle endommagé. Si l'aspirateur mobile ne fonctionne pas normalement, s'il est tombé par terre, s'il a été endommagé, s'il a été laissé à l'air libre ou s'il est tombé dans l'eau, renvoyez-le à un atelier de réparation.
- Ne tirez ou ne portez pas l'appareil par le câble, n'utilisez pas le câble comme poignée, ne coincez pas le câble dans des portes ou ne guidez pas le câble le long d'arêtes vives. Ne roulez pas avec l'aspirateur mobile sur le câble. Eloignez le câble de surfaces chaudes.
- Ne débranchez pas l'aspirateur en tirant sur le câble. Pour débrancher, saisissez la fiche mâle, non le câble.
- Ne manipulez pas le câble ou l'aspirateur avec des mains mouillées.
- Ne placez aucun objet dans les ouvertures. N'utilisez pas l'aspirateur si les ouvertures sont bouchées ; gardez les ouvertures exemptes de poussière, de peluches, de cheveux et autres objets, qui pourraient diminuer le flux d'air.
- Gardez les cheveux, vêtements amples, doigts et toutes les parties du corps éloignés des ouvertures et des pièces mobiles.
- Coupez tout avant de débrancher l'aspirateur.
- Soyez particulièrement prudent lorsque vous nettoyez des escaliers.
- N'aspirez pas de liquides inflammables et explosibles, tels qu'essence, ou n'utilisez pas l'aspirateur dans des zones où de tels liquides se trouvent.
- Branchez l'aspirateur uniquement dans une prise de courant avec terre appropriée. Voir les instructions de mise à la terre.
- N'aspirez rien qui brûle ou fume, tels que cigarettes, allumettes ou cendre chaude.
- N'utilisez pas l'aspirateur sans sac à poussières et/ou filtre en place.

## CONSERVEZ CES INSTRUCTIONS

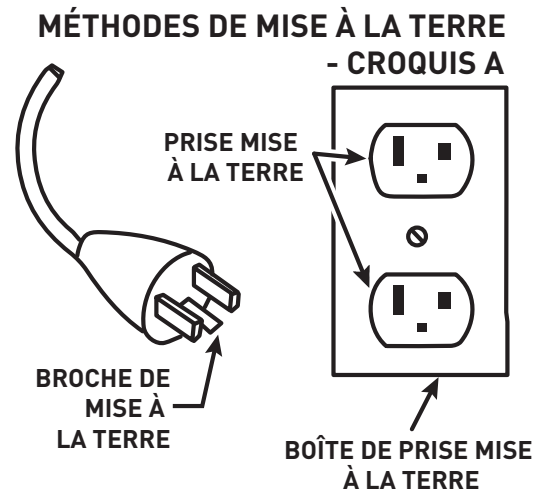
### INSTRUCTIONS DE MISE A LA TERRE

Cet appareil doit être relié à la terre. En cas de défaut ou de panne de l'appareil, la mise à la terre assure le chemin le plus direct (avec la résistance la plus faible) pour le courant électrique, afin de minimiser le risque d'un choc électrique. Cet aspirateur est équipé d'un câble possédant un conducteur de protection et une fiche mâle de sécurité ("Schuko"). La fiche mâle doit être branchée dans une prise de courant appropriée, qui est correctement installée et mise à la terre, conformément aux codes et ordonnances locaux.

 **AVERTISSEMENT** - Un mauvais raccordement du conducteur de protection peut entraîner un risque de choc électrique. Si vous n'êtes pas certain si la prise de courant est correctement reliée à la terre, faites vérifier cela par un électricien qualifié ou un chargé de maintenance. Ne modifiez pas la fiche mâle livrée

avec l'aspirateur – si la fiche mâle ne s'adapte pas dans la prise de courant, faites dans ce cas installer une prise de courant appropriée par un électricien.

Cette machine est conçue pour être utilisée sur un circuit nominal de 120 volts, et possède une prise de terre comme celle illustrée par le croquis A de l'illustration. Vérifiez que la prise du câble est connectée à une prise murale ayant la même configuration. Aucun adaptateur ne devrait être utilisé avec cet machine.



### Consignes de sécurité additionnelles

- Cet appareil ne doit pas être utilisé par des personnes (y compris des enfants) aux capacités physiques, sensorielles ou mentales diminuées ou manquant d'expérience et de connaissances. Il convient de surveiller **les enfants** afin de s'assurer qu'ils ne jouent pas avec l'appareil.



#### AVERTISSEMENT

**Cette machine est uniquement prévue pour une utilisation à sec.**



#### ATTENTION

**Cette machine est uniquement prévue pour l'utilisation à l'intérieur.**

**Cette machine ne peut être stockée qu'à l'intérieur.**

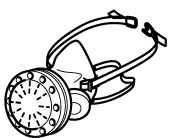
### La poussière, un risque pour la santé



**AVERTISSEMENT!** Certaines poussières créées par le ponçage mécanique, le sciage, le meulage, le perçage et autres activités reliées à la construction contiennent des substances chimiques connues (dans l'État de la Californie) comme pouvant causer le cancer, des anomalies congénitales ou représenter d'autres dangers pour la reproduction. Voici quelques exemples de telles substances:

- plomb provenant de peintures à base de plomb,
- silice cristallisée utilisée dans les briques, le ciment et autres matériaux de maçonnerie, et
- arsenic et chrome du bois d'oeuvre traité avec un produit chimique.

droit adéquatement ventilé et utilisez un équipement de sécurité approuvé, tel que masques anti-poussières spécialement conçus pour filtrer les particules microscopiques.



Le risque d'exposition à de tels produits varie selon la fréquence à laquelle vous faites ce genre de travail. Pour réduire les risques d'exposition à ces substances chimiques : travaillez dans un en-



#### AVERTISSEMENT

**POUR RÉDUIRE LE RISQUE DE DOMMAGES, L'UTILISATEUR DOIT LIRE LE MANUEL D'INSTRUCTION.**

## Utilisation en conformité avec les instructions

Cet aspirateur

- convient à l'aspiration de poussières, saletés, sable et copeaux non nocifs pour la santé,
  - est conçu pour résister à des sollicitations élevées en utilisation industrielle,
- est conforme à la norme CEI/NE 60335-2-69.

Les performances de filtrage du système dans son ensemble, équipé de l'élément filtre HEPA, corres-

pondent à la qualité HEPA H 13 (degré de séparation moyen 99,95 %).

Aspirateur **non conseillé** pour aspirer de façon durable des poussières fines, telles que la poussière de ciment ou du mastic.

Aspirateur **n'est pas** conçue pour l'extraction de l'eau et des liquides.



L'utilisateur est responsable des dommages provoqués par une utilisation non conforme.

## Caractéristiques techniques

### Aspirateur

Puissance absorbée		8.3 A
Valeur de raccordement max. à la prise de l'appareil		12 A
Débit volumétrique (air) max., aspirateur / centrale d'aspiration		108 m <sup>3</sup> /h / 180 m <sup>3</sup> /h
Dépression max., centrale d'aspiration		96 static water lift (200 hPa)
Surface filtrante		4.08 ft <sup>2</sup> (3786 cm <sup>2</sup> )
Tuyau d'aspiration		D 1 1/16 x 3/32" (D 27 mm x 3.0 m-AS)
Longueur du câble de raccordement secteur		16.4 ft (5.0 m)
Niveau de pression acoustique selon EN 60704-2-1 / Incertitude K		67 dB(A) / 3 dB
Degré de protection		IP X0
Volume de la cuve		1.19 gal. (4.5 l)
Dimensions L x l x h	uniquement CT SYS HEPA	15.6 x 11.7 x 6.2" (396 x 296 x 162 mm)
	CT SYS HEPA avec la caisse	15.6 x 11.7 x 10.6" (396 x 296 x 270 mm)
Poids	CT SYS HEPA avec la caisse	15.2 lbs. (6.9 kg)

## Description fonctionnelle

Des éléments fournis sont disponibles sur le volet qui se trouve au début de cette notice d'utilisation. Vous pouvez ainsi déplier cette page et visualiser en permanence les différentes parties de l'outil lorsque vous lisez la notice.

- [1-1]** Aspirateur
- [1-2]** Caisse
- [1-3]** Tuyau d'aspiration

- [1-4]** Poignée
- [1-5]** Pièce coudée
- [1-6]** Verrou T-Loc pour Systainer
- [1-7]** Fiche de réfrigérateur
- [1-8]** Interrupteur de marche/arrêt
- [1-9]** Interrupteur AUTO-/MAN
- [1-10]** Prise de l'appareil

## Mise en service

Attention aux illustrations au début de la présente notice d'utilisation.



### AVERTISSEMENT

#### Tension ou fréquence non admissible !

##### Risque d'accident

- ▶ Respecter les consignes indiquées sur la plaque signalétique.
- ▶ Respecter les particularités propres au pays.

### Rallonge électrique

Si une rallonge électrique est nécessaire, elle doit présenter une section suffisante afin d'éviter une chute de tension excessive ou une surchauffe. Une chute de tension excessive réduit la puissance et peut entraîner la destruction du moteur. Le tableau ci-dessous vous présente la section correcte de la rallonge en fonction de sa longueur pour cet appareil.

Longueur totale de la rallonge (pieds)	25	50	100	150
Section de la rallonge (AWG)	18	16	14	12

Utilisez exclusivement des rallonges recommandées par U.L. et CSA.

N'utilisez jamais deux rallonges raccordées l'une à l'autre, mais remplacez-les par une rallonge plus longue.

- ① Plus le calibre AWG est bas, plus le câble est résistant.

### Brancher l'aspirateur



### AVERTISSEMENT

#### Risques de blessures dus à un démarrage incontrôlé des outils

- ▶ Avant de brancher l'outil, veiller à ce qu'il soit sur Arrêt.

- ▶ Brancher le câble d'alimentation dans la prise réfrigérateur [2] et dans une prise mise à la terre.
- ▶ Poser le câble dans l'évidement prévu à cet effet [2].

L'interrupteur [1-8] sert à allumer et éteindre l'appareil.

L'interrupteur vous permet [1-9] de choisir entre les positions AUTO et MAN.

#### Position d'interrupteur MAN

La prise de l'appareil [1-10] est sous tension ; l'aspirateur démarre.

#### Position d'interrupteur AUTO

La prise de l'appareil [1-10] est sous tension ; l'aspirateur démarre lors de la mise en marche de l'outil raccordé.



En cas de non-utilisation ainsi que lors des travaux de maintenance et de nettoyage, débrancher le connecteur de la prise de courant.

### Raccordement d'un outil électrique



### AVERTISSEMENT

#### Risques de blessures

- ▶ Respecter la valeur de raccordement max. à la prise de l'appareil (voir chapitre Caractéristiques techniques).
- ▶ Mettre l'outil électrique hors tension.

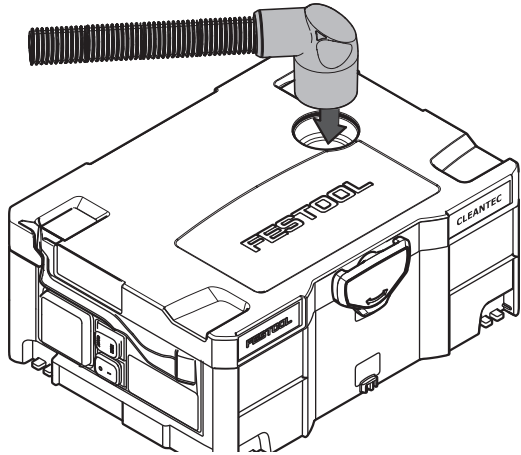
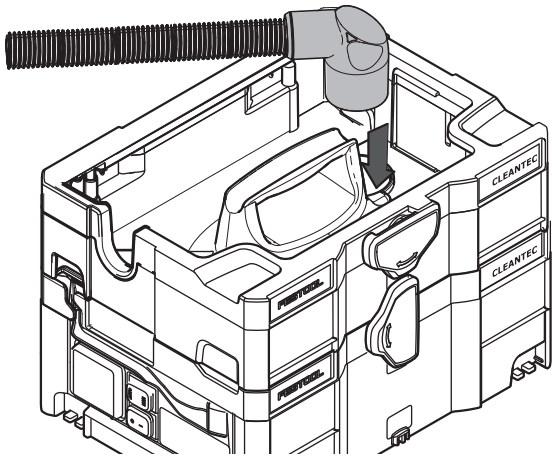
– Utiliser la prise de courant sur l'appareil uniquement dans le but indiqué !

- ▶ Raccordement de l'outil électrique à la prise de l'appareil [1-10].

### Raccord du tuyau d'aspiration

#### sur l'orifice d'aspiration [3]

- ▶ Raccorder le tuyau d'aspiration avec la pièce coudée sur l'orifice d'aspiration.


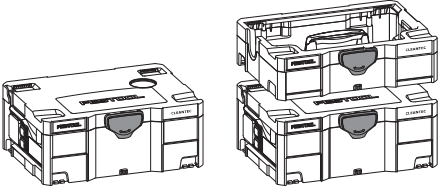

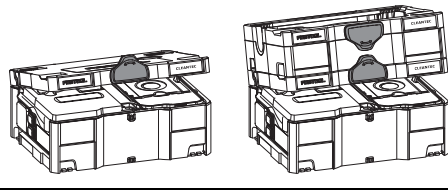
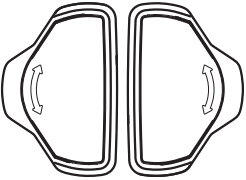
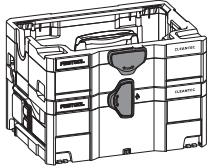



3

## Réglages

### Raccorder avec le T-LOC.

En tournant le T-LOC, vous pouvez fermer, ouvrir et raccorder l'aspirateur:

Fermer l'aspirateur		
Ouvrir l'aspirateur		
Raccorder l'aspirateur à la caisse		

 Avant de lever le T-LOC sur l'aspirateur, toujours fermer l'appareil ou le raccorder à la caisse et vérifier qu'il soit bien bloqué.

Charge max. en cas de raccordement à d'autres Systainers : 44.09 lbs. (20 kg)

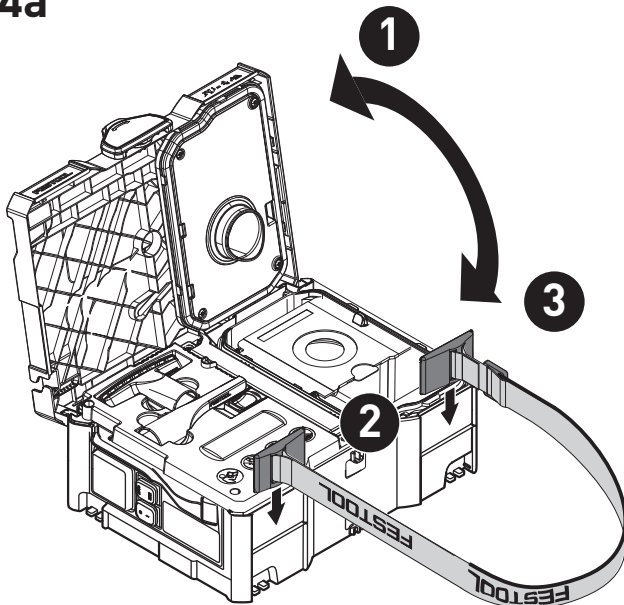
## Utiliser/ régler la bretelle

Charge max. admissible pour la bretelle : 44.09 lbs.  
(20 kg)

La bretelle peut être posée dans deux positions différentes :

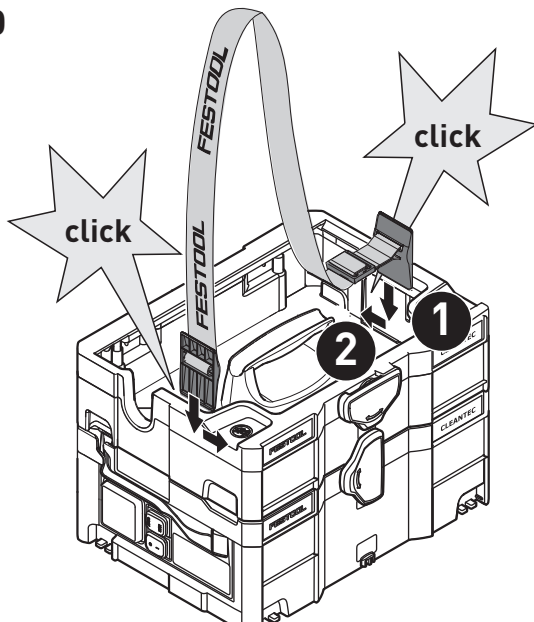
- **Pour porter l'aspirateur:** bretelle sur l'appareil [4a]

4a



- **Pour porter la caisse avec l'aspirateur :** bretelle fixée sur la caisse [4b]

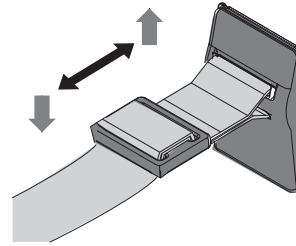
4b



Vérifier la fonctionnalité de la bretelle avant de soulever et mettre le T-LOC dans la position correspondante sur l'aspirateur.

Régler la longueur de la bretelle à l'aide de la bride de réglage [4c].

4c



## Surveillance de la température

La sécurité de température désactive l'aspirateur avant d'atteindre la température critique.

- Mettre l'aspirateur hors tension, le laisser refroidir pendant env. 5 minutes, le mettre sous tension.

- ⓘ Échec de la mise sous tension : contacter l'atelier du service après-vente Festool.

## Système antistatique

Lors de l'aspiration, il en résulte des charges d'électricité statique par frottement dans le tuyau d'aspiration. Ces charges peuvent se manifester par des chocs électriques désagréables pour l'opérateur. Pour dériver ces charges d'électricité statique, l'aspirateur mobile est équipé de série avec un système antistatique. A cet égard, il convient toutefois d'utiliser le tuyau d'aspiration antistatique fourni.

## Travailler avec l'aspirateur



### AVERTISSEMENT

**Ne convient pas pour aspirer des substances ou des poussières dangereuses ou toxiques telles que l'amiante.**

- ▶ Les filtres ne sont pas conçus pour arrêter toutes les particules et l'aspirateur risque de les rejeter dans l'atmosphère.



### ATTENTION

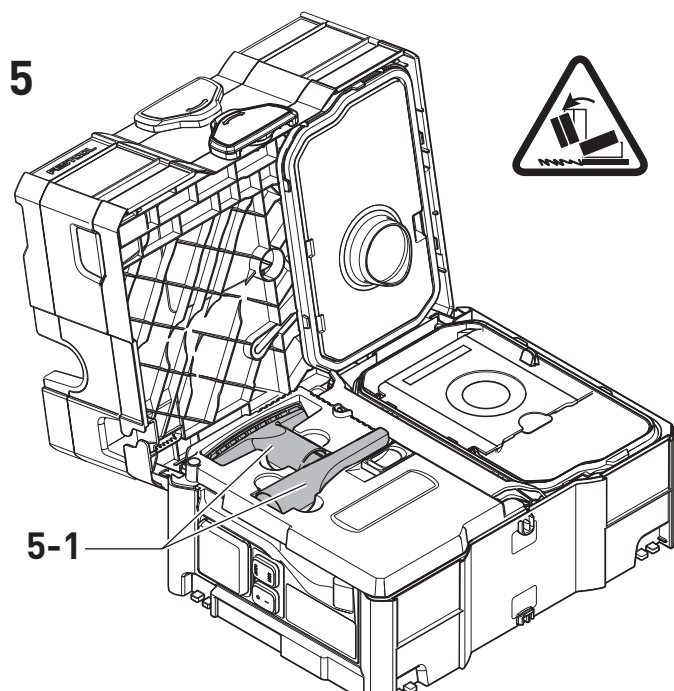
**Poussières nocives pour la santé**

**Lésions des voies respiratoires**

- ▶ Utiliser toujours un sac filtre.

① L'aspirateur contient deux **[5-1]** tuyères dans un logement.

- Risque de basculement, ne pas poser sur des surfaces en pente.



**Observez les consignes suivantes :**

- **Risque d'explosion et d'incendie : Ne pas aspirer :**

- les étincelles ou les poussières chaudes ;
  - les substances inflammables ou explosives (par ex. magnésium, aluminium, essence, diluants) ;
  - les substances agressives (par ex. acides, lessives alcalines, solvants) ;
  - les substances chimiques réactives, entraînant la formation de chaleur, d'acides/bases, de gaz etc. (p. ex. bi-matériaux réactifs, aluminium et eau).
- Respecter les prescriptions de sécurité en vigueur dans le pays d'utilisation ainsi que les consignes du fabricant du produit !
- Ne pas soulever et transporter à l'aide d'un crochet de palan ou d'un engin de levage !
- Utiliser l'appareil uniquement avec un équipement de protection approprié !
- Travailler dans un environnement sec après avoir reçu les instructions et uniquement si l'appareil est dans un état intact après un contrôle visuel !
- L'aspirateur est un système stationnaire et ne doit pas être tiré par le câble ou le tuyau. Utiliser la poignée **[1-4]**.
- En cas d'utilisation d'un tuyau non antistatique, il peut y avoir formation d'une charge statique et l'utilisateur peut recevoir un choc électrique.

**Une fois le travail terminé, veiller à :**

- ▶ Mettre l'aspirateur hors tension et débrancher la fiche secteur.
- ▶ Enrouler le câble de raccordement secteur.
- ▶ Vidanger la cuve de collecte.
- ▶ Poser le tuyau d'aspiration **[1-3]** et le câble d'alimentation dans la caisse.
- ▶ Nettoyer l'aspirateur à l'intérieur et à l'extérieur en l'aspirant et en l'essuyant.
- ▶ Déposer l'aspirateur dans un local sec et protégé contre toute utilisation non autorisée.



## Dépannage

### Bruits de flux d'air à l'aspiration

Bypass automatique : une soupape qui amène de l'air frais à la centrale d'aspiration s'ouvre :

Cause Élément filtrant bouché, sac filtre plein ou tuyau d'aspiration bouché

Solution Vider le récipient, remplacer ou nettoyer l'élément filtrant, remplacer le sac filtre, vérifier si le tuyau d'aspiration est bouché et le nettoyer si besoin est

## Entretien et maintenance



### AVERTISSEMENT

**Tout travail de maintenance ou de réparation, qui nécessite l'ouverture du moteur ou du carter d'engrenages doit uniquement être effectué par un centre service-client autorisé (nom fourni par votre revendeur) !**

- Les travaux de maintenance ou de réparation effectués par un personnel non autorisé peuvent conduire à la mauvaise connexion de câbles d'alimentation ou d'autres composants, ce qui peut entraîner à son tour des accidents avec des conséquences graves.



### AVERTISSEMENT

**Pour éviter les accidents, retirez toujours la fiche mâle de la prise d'alimentation électrique avant d'effectuer tout travail de maintenance ou de réparation sur la machine !**

- N'utilisez pas d'air comprimé pour nettoyer l'outil électrique ! N'essayez pas de nettoyer des parties à l'intérieur de la machine de cette façon, étant donné que des corps étrangers pourraient pénétrer dans les ouvertures du carter de la machine.



Seuls le fabricant et un atelier homologué sont habilités à effectuer **toute réparation ou service**. Les adresses à

proximité sont disponibles sur: [www.festoolusa.com/service](http://www.festoolusa.com/service)



Utilisez uniquement des pièces de rechange Festool d'origine. Référence sur: [www.festoolusa.com/service](http://www.festoolusa.com/service)

- Remplacer régulièrement les filtres-sacs et nettoyer le réservoir et les joints.

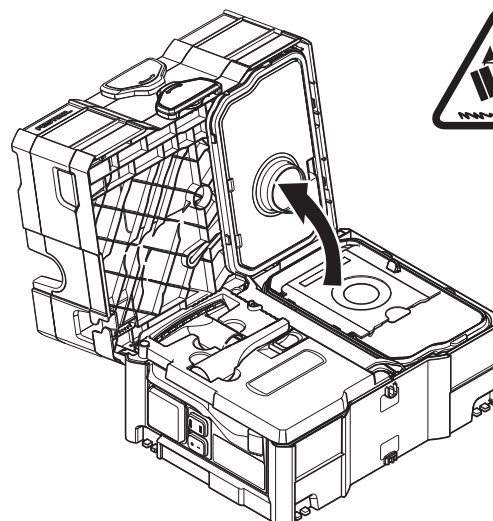
### Observez les consignes suivantes :

- Un contrôle technique doit être effectué au moins une fois par an par le fabricant ou une personne instruite (endommagement du filtre, étanchéité de l'appareil et fonctionnement des dispositifs de contrôle, etc.).
- Ce qui ne peut pas être nettoyé, doit être éliminé. À cet effet, utiliser des sacs imperméables. Respecter les consignes relatives à l'élimination en vigueur !

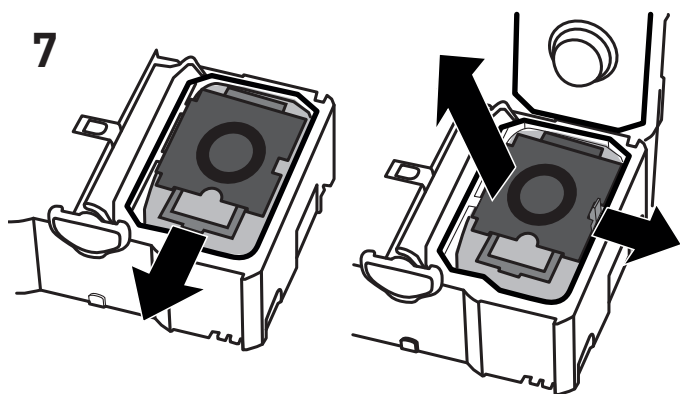
### Remplacement du sac filtre

- Ouvrir l'aspirateur avec le T-LOC [6]. **Attention au risque de basculement**

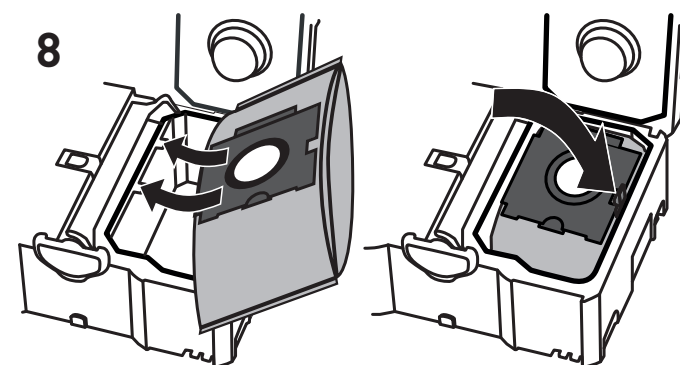
6



- ▶ Remplacement du sac filtre:
  - ▶ Sortir le filtre-sac [7].



- ▶ Placer le sac filtre [8].



- ▶ Verrouiller l'aspirateur avec le T-LOC.

## Remplacement de l'élément filtrant [9]

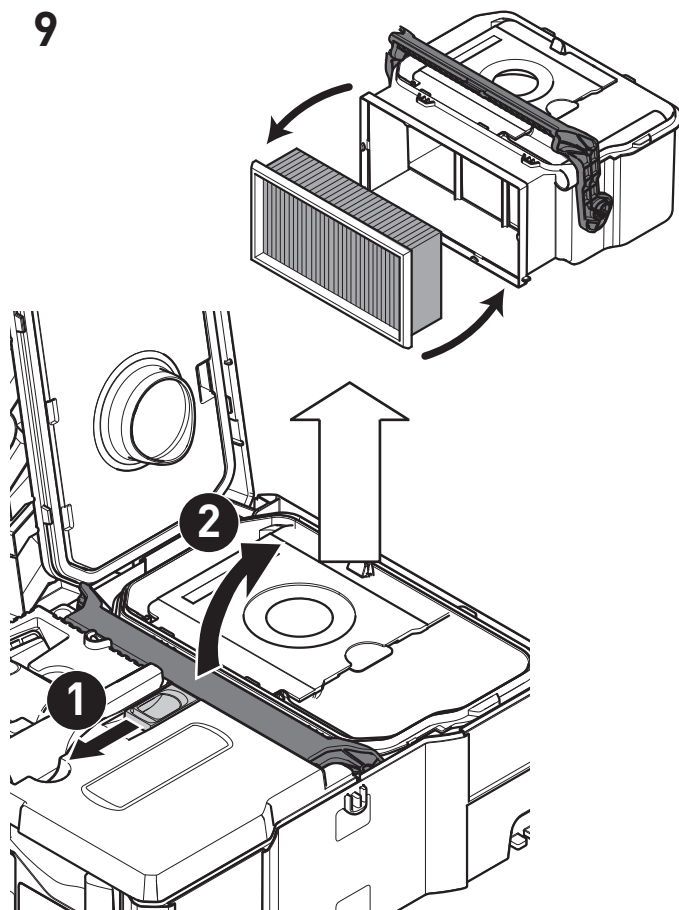
### AVIS

#### Endommagement du moteur

- ▶ N'aspirez jamais alors que le filtre principal n'est pas monté : risque d'endommagement du moteur.
- ▶ Ouvrir l'aspirateur avec le T-LOC [6]. **Attention au risque de basculement**
- ▶ Déverrouiller et déplacer le levier.
- ▶ Sortir le réservoir en le tirant vers le haut.
- ▶ Sortir l'élément de filtre usagé et le remplacer par un neuf.
- ▶ Éliminer l'élément de filtre usagé conformément aux prescriptions légales.
- ▶ Nettoyer le réservoir et les joints.
- ▶ Remettre le réservoir en place. Déplacer le le-

vier et l'encliqueter.

- ▶ Verrouiller l'aspirateur avec le T-LOC.



- ① Les références de commande des accessoires, filtres et consommables sont disponibles dans le catalogue Festool ou sur le site Internet [www.festoolusa.com](http://www.festoolusa.com).

## Transport

#### Observez les consignes suivantes :

- Avant le transport, toujours verrouiller le T-LOC sur l'aspirateur ou le raccorder à la caisse.
- Pour transporter l'appareil dans des véhicules, le fixer selon les règles en vigueur pour l'empêcher de glisser et de basculer.

## Environnement












**Ne jetez pas les outils électriques avec les ordures ménagères !** Éliminez les appareils, les accessoires et les emballages de façon compatible avec l'environnement. Respectez en cela les dispositions nationales en vigueur.


## Índice

Símbolos .....	27
Sobre este manual .....	28
Indicaciones de seguridad.....	28
Indicaciones de seguridad importantes	28
INSTRUCCIONES PARA LA PUESTA A TIERRA.....	29
Indicaciones de seguridad adicionales	30
Riesgos para la salud producidos por el polvo.....	30
Uso conforme a lo previsto.....	31
Datos técnicos .....	31
Descripción de las funciones .....	31
Puesta en servicio .....	32
Alargador .....	32

Conexión del aspirador .....	32
Conexión de la herramienta eléctrica .	32
Conexión del tubo flexible de aspiración	32
Ajustes.....	33
Conexión con T-Loc.....	33
Uso/ajuste de la correa de transporte.	34
Control de temperatura .....	34
Sistema antiestático.....	34
Trabajar con el aspirador.....	35
Mantenimiento y cuidado.....	36
Sustitución de la bolsa filtrante.....	36
Sustitución del elemento de filtro [9] ..	37
Transporte.....	37
Medio ambiente.....	37

## Símbolos




Sím-bolo	Significado
	Aviso de peligro general
	Peligro de electrocución
	¡Leer el manual de instrucciones y las indicaciones de seguridad!
	¡Utilizar protección respiratoria!
	Consejo, indicación
	Guía de procedimiento
	<b>¡Advertencia!</b> ¡La herramienta puede contener polvo perjudicial para la salud!
	Prohibido subir
	Proteger de la lluvia
	No aspirar agua ni líquidos
	Peligro de vuelco



Sím-bolo	Significado
W	vatios
h	horas
min	minutos
s	segundos
kg	kilogramo
Pa	pascal
dB	decibelio
V	voltios
A	amperios
Hz	hertzios
~ a.c.	tensión alterna
--- d.c.	tensión continua
n <sub>0</sub>	revoluciones por minuto en vacío
	Clase II Construcción
rpm min <sup>-1</sup>	revoluciones por minuto
"	pulgada
lbs.	libras
∅	diámetro

## Sobre este manual

### Guarde estas instrucciones

Es importante que usted lea y entienda este manual. La información que contiene se relaciona con la protección de **su seguridad** y **la prevención de problemas**. Los símbolos que siguen se utilizan para ayudarlo a reconocer esta información.

	<b>PELIGRO</b>	Descripción de peligro inminente y fracaso para evitar riesgos que podran causar la muerte.
	<b>ADVERTENCIA</b>	Descripción de peligro y posibles lesiones resultantes o la muerte.
	<b>PRECAUCIÓN</b>	Descripción de peligro y posibles lesiones resultantes.

	<b>AVISO</b>	Declaración incluyendo el tipo de riesgo y posible resultados.
	<b>CONSEJO</b>	Indica informaciones, notas, o consejos para mejorar su éxito con la herramienta.

## Indicaciones de seguridad




# Indicaciones de seguridad importantes

Observe las medidas básicas de precaución siempre que utilice una máquina eléctrica, incluidas las siguientes:

### LEA TODAS LAS INSTRUCCIONES

### ANTES DE UTILIZAR EL SISTEMA DE ASPIRACIÓN:

 **ADVERTENCIA** - Para disminuir el riesgo de incendio, de descargas eléctricas y de lesiones:

- Tenga el sistema de aspiración siempre vigilado mientras esté enchufado. Desenchufe el sistema de aspiración cuando no lo utilice y cuando vaya a efectuar el mantenimiento.
- **ADVERTENCIA** - Para reducir el riesgo de una descarga eléctrica - No utilice al aire libre o en superficies mojadas.
- No permita que el sistema de aspiración se utilice como juguete. Preste especial atención si los niños utilizan el sistema de aspiración o cuando se use estando ellos cerca.
- Aplique el sistema de aspiración únicamente como se describe en las instrucciones. Utilice exclusivamente accesorios recomendados por el fabricante.
- No utilice el sistema de aspiración si el cable o el enchufe está deteriorado. Si el sis-

- tema de aspiración no funciona como debiera, si se ha caído, está dañado, se ha dejado a la intemperie o sumergido en agua, llévelo a un taller para su reparación.
- No tire del cable ni lo utilice como asidero para desplazar el aspirador; procure que el cable no quede aprisionado en las puertas ni roce bordes cortantes. No pase el sistema de aspiración por encima del cable. Mantenga el cable alejado de superficies calientes.
  - No desenchufe el sistema de aspiración tirando del cable. Tire siempre del enchufe, no del cable.
  - No manipule el cable ni el sistema de aspiración con las manos mojadas.
  - No introduzca ningún objeto en las aberturas. No utilice el sistema de aspiración si hay alguna abertura obstruida; mantenga las aberturas limpias de polvo, hilachas, pelos o cualquier otra cosa que pueda reducir el flujo de aire.
  - Mantenga el pelo, la ropa holgada, los dedos o cualquier otra parte del cuerpo alejados de las aberturas y de las piezas en movimiento.
  - Apáguelo todo antes de desenchufar el sistema de aspiración.
  - Tenga especial precaución cuando pase el aspirador en escaleras.
  - No recoja líquidos inflamables o explosivos, como puede ser la gasolina, ni utilice el sistema de aspiración en zonas donde se encuentren estos líquidos.
  - Enchufe el sistema de aspiración sólo en una caja de contacto adecuada que disponga de conexión a tierra. Véanse las instrucciones para la puesta a tierra.
  - No recoja ningún objeto que arda o humee, como cigarrillos, fósforos o ceniza caliente.
  - No utilice el sistema de aspiración si el saco para polvo y/o el filtro está desmontado.

## **GUARDE ESTAS INSTRUCCIONES**

### **INSTRUCCIONES PARA LA PUESTA A TIERRA**

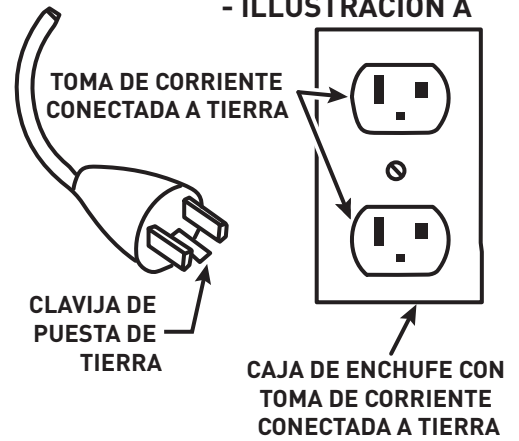
Esta máquina requiere una puesta a tierra. En caso de tener un fallo o una avería, la puesta a tierra proporciona el recorrido más corto de resistencia para la corriente eléctrica reduciendo así el peligro de recibir una descarga eléctrica. El sistema de aspiración está equipado con un cable que tiene conductor de protección y enchufe Schuko. El enchufe debe conectarse en una caja de contacto adecuada que esté correctamente instalada y puesta a tierra de acuerdo con los códigos y disposiciones locales.



**ADVERTENCIA** - Una conexión incorrecta del conductor de protección puede conllevar peligro de descarga eléctrica. Si no está seguro de si la caja de contacto está puesta a tierra, haga que lo compruebe un electricista especializado o un operario de mantenimiento. No modifique el enchufe con el que se suministra el sistema de aspiración; si el enchufe no se ajusta a la caja de contacto, es conveniente que un técnico electricista instale una caja de contacto apropiada.

Este sistema de aspiración se debe usar en un circuito nominal de 120 voltios y tiene un enchufe de conexión a tierra que se ve como el que aparece en la ilustración A alado. Asegúrese que el sistema esté conectado a un toma-corriente que tenga la misma configuración que el enchufe. No deben utilizarse adaptadores con este sistema.

#### MÉTODOS DE PUESTA A TIERRA - ILLUSTRACIÓN A



### Indicaciones de seguridad adicionales

- Esta herramienta no debe ser utilizada por personas (incluidos los niños) que por razones físicas, sensoriales o psíquicas, inexperiencia o desconocimiento no estén capacitadas para su uso. Debe vigilarse a **los niños** para evitar que jueguen con la herramienta.



#### ATENCIÓN

**Esta herramienta solo es apropiada para el uso en interiores.**

**Esta herramienta solo debe guardarse en interiores.**



#### ADVERTENCIA

**Esta herramienta solo es apropiada para el uso en seco.**

### Riesgos para la salud producidos por el polvo

**ADVERTENCIA!** Algunos polvos creados por lijadoras motorizadas, aserraderos, trituradores, perforadoras y otras actividades de construcción contienen sustancias químicas que se sabe (en el Estado de California) causan cáncer, defectos de nacimiento u otros daños al sistema reproductivo. Algunos ejemplos de estas sustancias químicas son:

- Plomo de las pinturas con base de plomo,
- Sílice cristalino de los ladrillos y cemento y otros productos de mampostería, y
- Arsénico y cromo de madera tratada con sustancias químicas.



El riesgo de exposición a estas sustancias varía, dependiendo de cuantas veces se hace este tipo de trabajo. Para reducir el contacto con estas

sustancias químicas: trabaje en un área con buena ventilación y trabaje con equipo de seguridad aprobado, como mascarillas para el polvo diseñadas específicamente para filtrar partículas microscópicas.



#### ADVERTENCIA

**PARA REDUCIR EL RIESGO DE LESIÓN, EL USUARIO DEBE LEER EL MANUAL DE INSTRUCCIÓN.**

## Uso conforme a lo previsto

El aspirador es adecuado para

- succionar y aspirar polvo no perjudicial para la salud, suciedad, arena, virutas,
- proporcionar un alto rendimiento en aplicaciones profesionales, conforme a IEC/EN 60335-2-69.

El rendimiento de filtración de todo el aparato, compuesto del elemento filtrante HEPA, corres-

ponde con la calidad HEPA H 13 (rendimiento de eliminación medio 99,95 %).

El aspirador **no está recomendado** para aspirar y limpiar el polvo fino de forma continua, como p. ej. polvo de cemento o emplaste.

El aspirador **no** es adecuado para aspirar agua y líquidos.



El usuario será responsable de cualquier utilización indebida.

## Datos técnicos

### Aspirador

Consumo de potencia		8.3 A
Consumo nominal máx. de la caja de contacto de la máquina		12 A
Caudal de aire (volumen) máx., aspirador/turbina		108 m <sup>3</sup> /h / 180 m <sup>3</sup> /h
Depresión máx., turbina		96 static water lift (200 hPa)
Superficie del filtro		4.08 ft <sup>2</sup> (3786 cm <sup>2</sup> )
Tubo flexible de aspiración		D 1 1/16 x 3/32" (D 27 mm x 3.0 m-AS)
Longitud de la línea de conexión a la red		16.4 ft (5.0 m)
Nivel de intensidad sonora según EN 60704-2-1 / Factor de inseguridad K		67 dB(A) / 3 dB
Tipo de protección		IP X0
Capacidad del depósito		1.19 gal. (4.5 l)
Dimensiones L x An x Al	solo CT SYS HEPA	15.6 x 11.7 x 6.2" (396 x 296 x 162 mm)
	CT SYS HEPA con caja de almacenamiento	15.6 x 11.7 x 10.6" (396 x 296 x 270 mm)
Peso	CT SYS HEPA con caja de almacenamiento	15.2 lbs. (6.9 kg)

## Descripción de las funciones

Las imágenes con la dotación de suministro se encuentran en una hoja desplegable al comienzo de este manual de instrucciones. Cuando lea este manual, le recomendamos que despliegue esta página para disponer fácilmente de una vista general de la máquina.

**[1-1]** Aspirador

**[1-2]** Caja de almacenamiento

**[1-3]** Tubo flexible de aspiración

**[1-4]** Empuñadura

**[1-5]** Pieza acodada

**[1-6]** Cierre T-Loc para Systainer

**[1-7]** Conector IEC

**[1-8]** Interruptor de conexión y desconexión

**[1-9]** Interruptor AUTO/MAN

**[1-10]** Caja de contacto de la máquina

## Puesta en servicio

Tenga en cuenta las imágenes al principio del manual.



### ADVERTENCIA

#### Tensión o frecuencia no permitida

##### Peligro de accidente

- ▶ Observar los datos indicados en la placa de tipo.
- ▶ Tener en cuenta las particularidades de cada país.

### Alargador

Si fuera necesario utilizar un alargador, éste deberá estar provisto de una sección transversal suficiente como para evitar una pérdida excesiva de voltaje o que se produzca un sobrecalentamiento. Una pérdida excesiva de voltaje reduce el rendimiento y puede causar el fallo del motor. La tabla que aparece a continuación indica el diámetro correcto del cable en función de la longitud del cable de ésta máquina.

Longitud total del cable alargador (pie)	25	50	100	150
Dimensiones del cable (AWG)	18	16	14	12

Use sólo los alargadores U.L. y CSA que figuran en la relación.

No utilice nunca dos alargadores juntos. Se recomienda usar un solo cable largo.

- ① Cuanto menor sea el número AWG, más fuerte será el cable.

### Conexión del aspirador



### ADVERTENCIA

#### Peligro de lesiones a causa de herramientas sin control

- ▶ Antes de conectar el aspirador, asegurarse de que la herramienta conectada esté apagada.

- ▶ Enchufar el cable de conexión a la red eléctrica en el conector IEC [2] y en una caja de contacto puesta a tierra.
- ▶ Pasar el cable de red a través de la entalladura [2].

El interruptor [1-8] se utiliza como interruptor de conexión y desconexión.

El interruptor [1-9] permite cambiar entre las posiciones AUTO y MAN.

#### Posición "MAN" del interruptor

La caja de contacto de la máquina [1-10] no conduce corriente, el aspirador arranca.

#### Posición "Auto" del interruptor

La caja de contacto de la máquina [1-10] conduce corriente, el aspirador arranca al encender la herramienta conectada.



Desenchufar la herramienta en caso de no utilizarse o antes de realizar cualquier trabajo de mantenimiento y limpieza.

### Conexión de la herramienta eléctrica



### ADVERTENCIA

#### Peligro de lesiones

- ▶ Observar el consumo nominal máximo en la caja de contacto de la máquina (véase el capítulo "Datos técnicos").
- ▶ Desconectar la herramienta eléctrica.

– Utilizar la caja de contacto de la herramienta solo para el fin especificado.

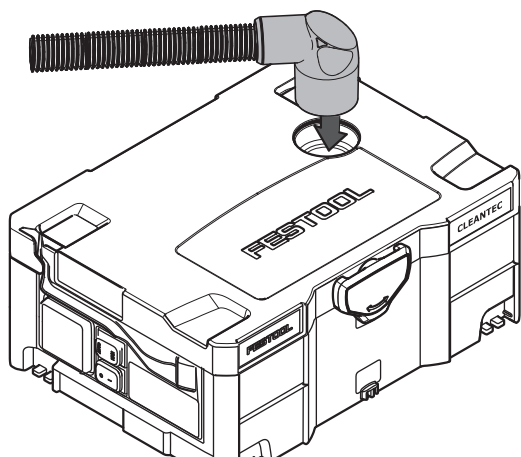
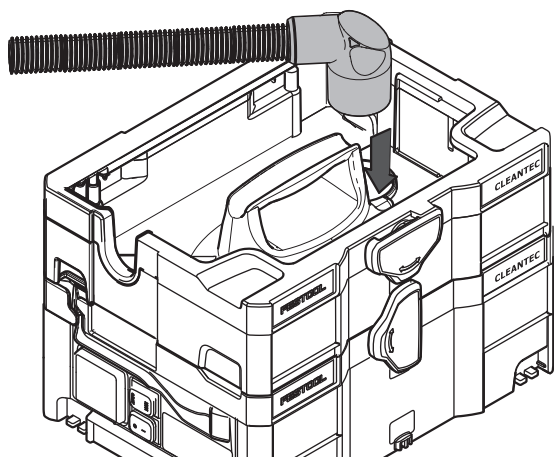
- ▶ Conectar la herramienta eléctrica a la caja de contacto de la máquina [1-10].

### Conexión del tubo flexible de aspiración

#### a la abertura de aspiración [3]

- ▶ Conectar el tubo flexible de aspiración con la pieza acodada a la abertura de aspiración.





3

## Ajustes

### Conexión con T-Loc

Girando el T-Loc, el aspirador puede cerrarse, abrirse y conectarse:

Cerrar el aspirador		
Abrir el aspirador		
Conectar el aspirador a la caja de almacenamiento		



Antes de levantar el aspirador, cerrar siempre el T-Loc o conectarlo a la caja de almacenamiento y comprobar que esté bien sujeto.

Carga máx. con conexión a otros Systemair: 44,09 lbs. (20 kg)

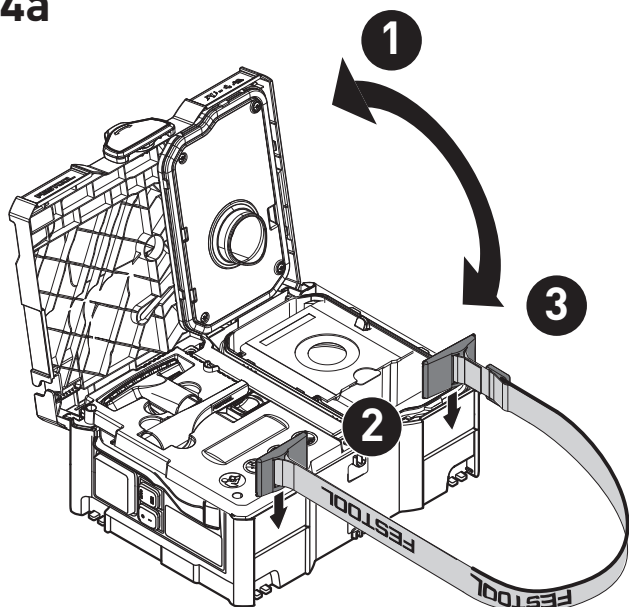
## Uso/ajuste de la correa de transporte

Carga máx. permitida de la correa de transporte:  
44,09 lbs. (20 kg)

La correa de transporte puede colocarse en dos posiciones distintas:

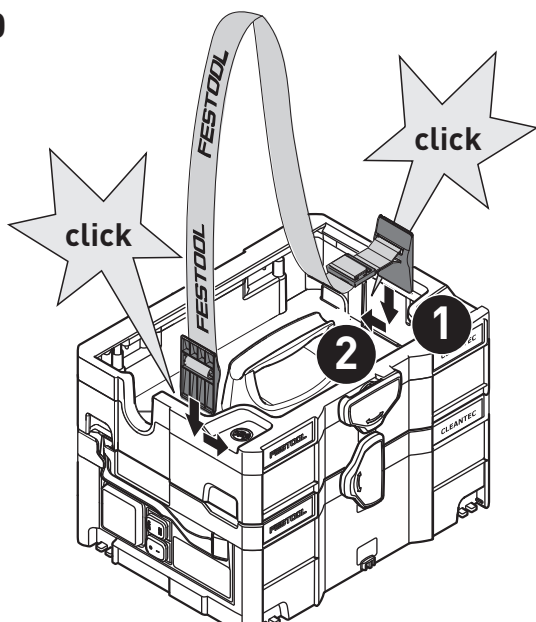
- **Para transportar el aspirador:** correa de transporte en el aspirador **[4a]**

**4a**



- **Para transportar la caja de almacenamiento con el aspirador:** correa de transporte en la caja de almacenamiento **[4b]**

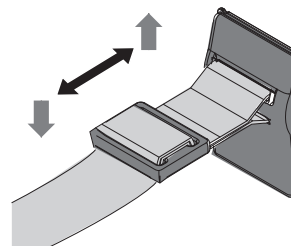
**4b**



Antes de levantar el aspirador, comprobar que las correas de transporte funcionen y colocar el T-Loc en la posición correcta.

Adaptar a longitud de la correa de transporte con la lengüeta de regulación **[4c]**.

**4c**



## Control de temperatura

Antes de alcanzarse una temperatura crítica, el control de temperatura apaga el aspirador.

- Apagar el aspirador, dejar que se enfríe durante aprox. 5 minutos y encenderlo.

ⓘ Si no se puede conectar, ponerse en contacto con los talleres de servicio de Festool.

## Sistema antiestático

Durante la aspiración se generan cargas estáticas a causa del rozamiento que se produce en el tubo flexible de aspiración. Como consecuencia, el personal que maneja la herramienta puede sufrir desagradables descargas eléctricas. Con el objeto de desviar las cargas estáticas, el sistema móvil de aspiración está equipado de serie con un sistema antiestático. Para ello, se debe utilizar el tubo flexible de aspiración antiestático incluido en la dotación de suministro de la herramienta.

## Trabajar con el aspirador



### ADVERTENCIA

**Esta aspiradora no es adecuada para recoger sustancias o polvos peligrosos o tóxicos, como por ejemplo asbestos**

- ▶ Los filtros no podrán atrapar todas las partículas y es posible que las expulsen de vuelta al medio ambiente.

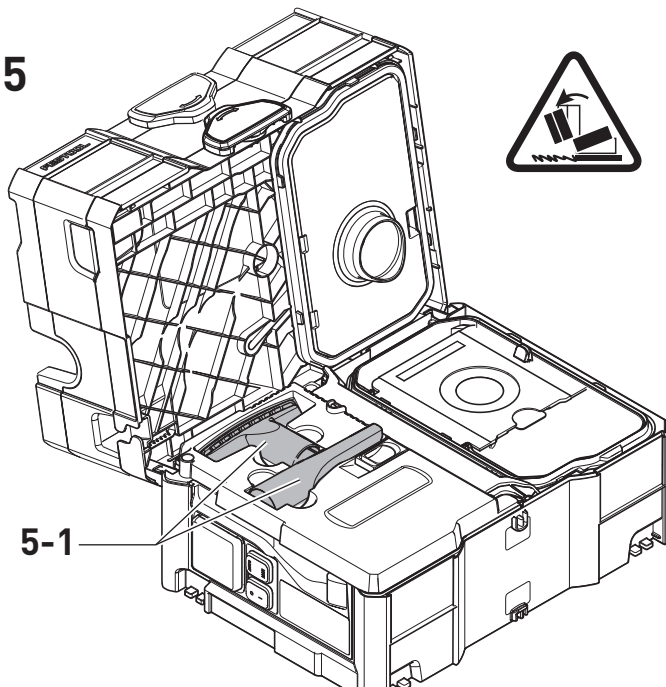


### ATENCIÓN

**Polvo perjudicial para la salud  
Daños en las vías respiratorias**

- ▶ Utilizar siempre una bolsa filtrante.

- ① En el interior del aspirador hay guardadas dos boquillas de limpieza **[5-1]**.
- Peligro de vuelco, no colocar sobre superficies inclinadas.



**Tenga en cuenta las siguientes advertencias:**

- **Riesgo de explosión e incendio: no aspirar:**

- chispas ni polvo caliente;
- materiales inflamables o explosivos (p. ej. magnesio, aluminio, gasolina, diluyentes);
- líquidos agresivos (p. ej. ácidos, lejías, disolventes);
- sustancias químicas reactivas que generen calor, ácidos/bases, gases, etc. (p. ej. materiales de 2 componentes reactivos, aluminio y agua).
- Deben respetarse las normativas de seguridad nacionales, así como las indicaciones del fabricante del material.
- No está permitido elevarla ni transportarla con el gancho de una grúa o con un sistema de elevación.
- Utilizar solo con el equipamiento de protección adecuado.
- Trabajar solo en un entorno seco, de acuerdo con las instrucciones y después de haber comprobado visualmente que el aparato está intacto.
- El aspirador es un sistema estacionario y no debe desplazarse tirando del cable o del tubo flexible. Utilizar la empuñadura **[1-4]**.
- Si se utiliza un tubo flexible de aspiración que no sea antiestático, puede cargarse de energía estática y el usuario podría sufrir una descarga eléctrica.

### Una vez finalizado el trabajo:

- ▶ Desconectar el aspirador y extraer el enchufe.
- ▶ Enrollar el cable de conexión a la red eléctrica.
- ▶ Vaciar el depósito para suciedad.
- ▶ Introducir el tubo flexible de aspiración **[1-3]** y el cable de conexión a la red eléctrica en la caja de almacenamiento.
- ▶ Limpiar el aspirador aspirándolo y pasando un paño por dentro y por fuera.
- ▶ Guardar el aspirador en un lugar seco y protegido contra un uso no autorizado.



### ADVERTENCIA

**Cualquier trabajo de mantenimiento o reparación que requiera abrir el motor o la carcasa del engranaje deberá ser realizado únicamente por un Centro de Atención al Cliente (nombre proporcionado por su concesionario).**

- ▶ Los trabajos de mantenimiento o reparación realizados por una persona no autorizada podrían provocar la conexión incorrecta de los conductores de alimentación u otros componentes, lo que a su vez podría provocar accidentes con consecuencias graves.



### ADVERTENCIA

**Para prevenir los accidentes, antes de realizar cualquier trabajo de mantenimiento o reparación en la máquina retire siempre el enchufe de la toma de corriente.**

- ▶ No utilice aire a presión para limpiar las herramientas eléctricas. No intente limpiar las partes internas de la máquina de este modo, ya que podría permitir la entrada de objetos extraños a través de las aperturas de la carcasa de la máquina.



El **Servicio de atención al cliente y reparaciones** solo está disponible por parte del fabricante o de los talleres de reparación: encuentre la dirección más próxima a usted en: [www.festoolusa.com/service](http://www.festoolusa.com/service)



Utilice únicamente piezas de recambio Festool originales. Referencia en: [www.festoolusa.com/service](http://www.festoolusa.com/service)

- ▶ Cambiar la bolsa filtrante y limpiar el depósito y las juntas regularmente.

#### Tenga en cuenta las siguientes advertencias:

- El fabricante o una persona capacitada debe realizar un control técnico del polvo al menos una vez al año (p. ej. para comprobar posibles daños del filtro, la estanqueidad de la herramienta y el
  - ▶ Colocar la bolsa filtrante [8].

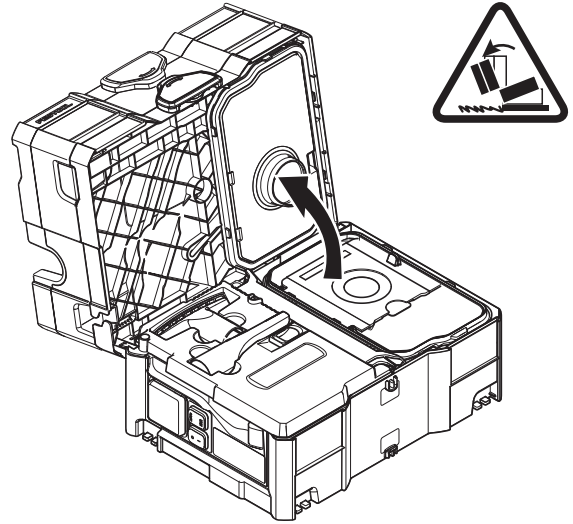
correcto funcionamiento de los dispositivos de control).

- Debe eliminarse todo aquello que no se pueda limpiar. Para ello utilizar bolsas estancas. Tener en cuenta las condiciones vigentes de eliminación de los desechos.

### Sustitución de la bolsa filtrante

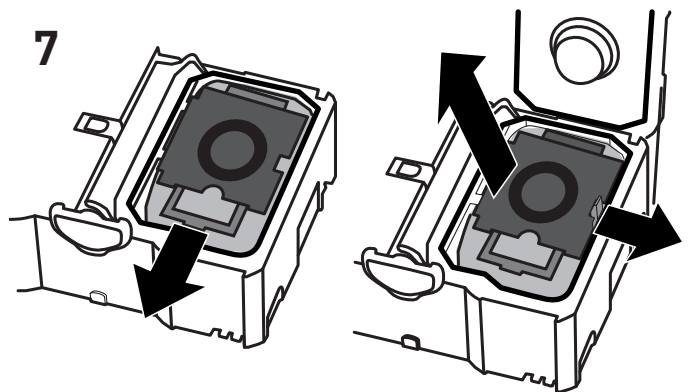
- ▶ Abrir el aspirador con el T-Loc [6]. **¡Atención! Peligro de vuelco**

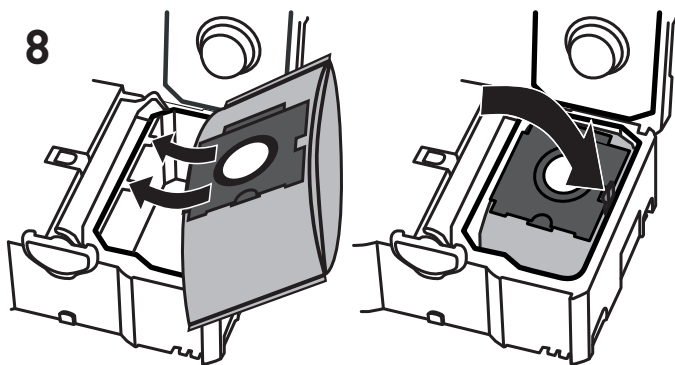
6



- ▶ Sustitución de la bolsa filtrante:
  - ▶ Extraer la bolsa filtrante [7].

7





- ▶ Cerrar el aspirador con el T-Loc.

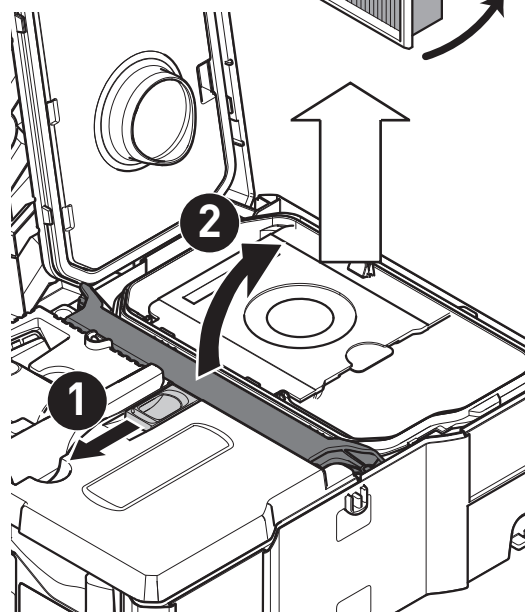
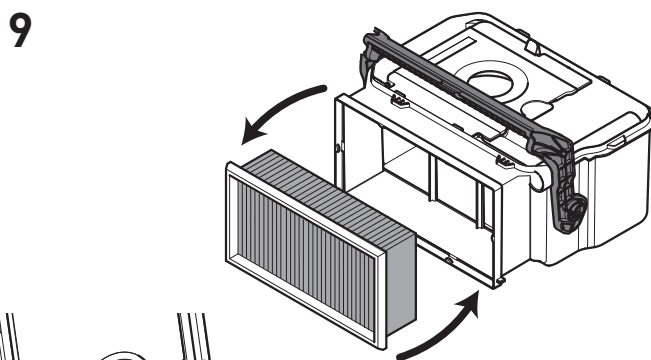
### Sustitución del elemento de filtro [9]

#### NOTA

#### **Daños en el motor**

- ▶ El motor puede provocar daños si se aspira sin tener un filtro principal montado.
- ▶ Abrir el aspirador con el T-Loc [6]. **¡Atención! Peligro de vuelco**
- ▶ Desbloquear y accionar la palanca.
- ▶ Extraer el depósito hacia arriba.
- ▶ Extraer el elemento de filtro usado y reemplazarlo por uno nuevo.
- ▶ Desechar el elemento de filtro usado teniendo en cuenta las disposiciones legales aplicables.
- ▶ Limpiar el depósito y las juntas.

- ▶ Colocar el depósito. Accionar la palanca y encajarla.
- ▶ Cerrar el aspirador con el T-Loc.



- ① Los números de pedido de los accesorios, filtros y material de consumo figuran en el catálogo de Festool o en la dirección de internet [www.festoolusa.com](http://www.festoolusa.com).

## Transporte

#### **Tenga en cuenta las siguientes advertencias:**

- Antes de transportar el aspirador, cerrar siempre el T-Loc o conectarlo a la caja de almacenamiento.
- A la hora de transportar la máquina en vehículos, asegurarlo de acuerdo con la correspondiente normativa vigente para evitar que se deslice y vuelque.

## Medio ambiente

**¡No deseche las herramientas eléctricas junto con los residuos domésticos!** Recicle los aparatos, accesorios y embalajes de forma respetuosa con el

medio ambiente. Tenga en cuenta la normativa vigente del país.